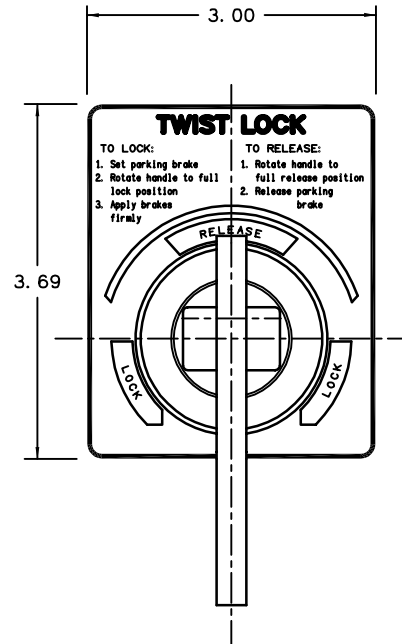
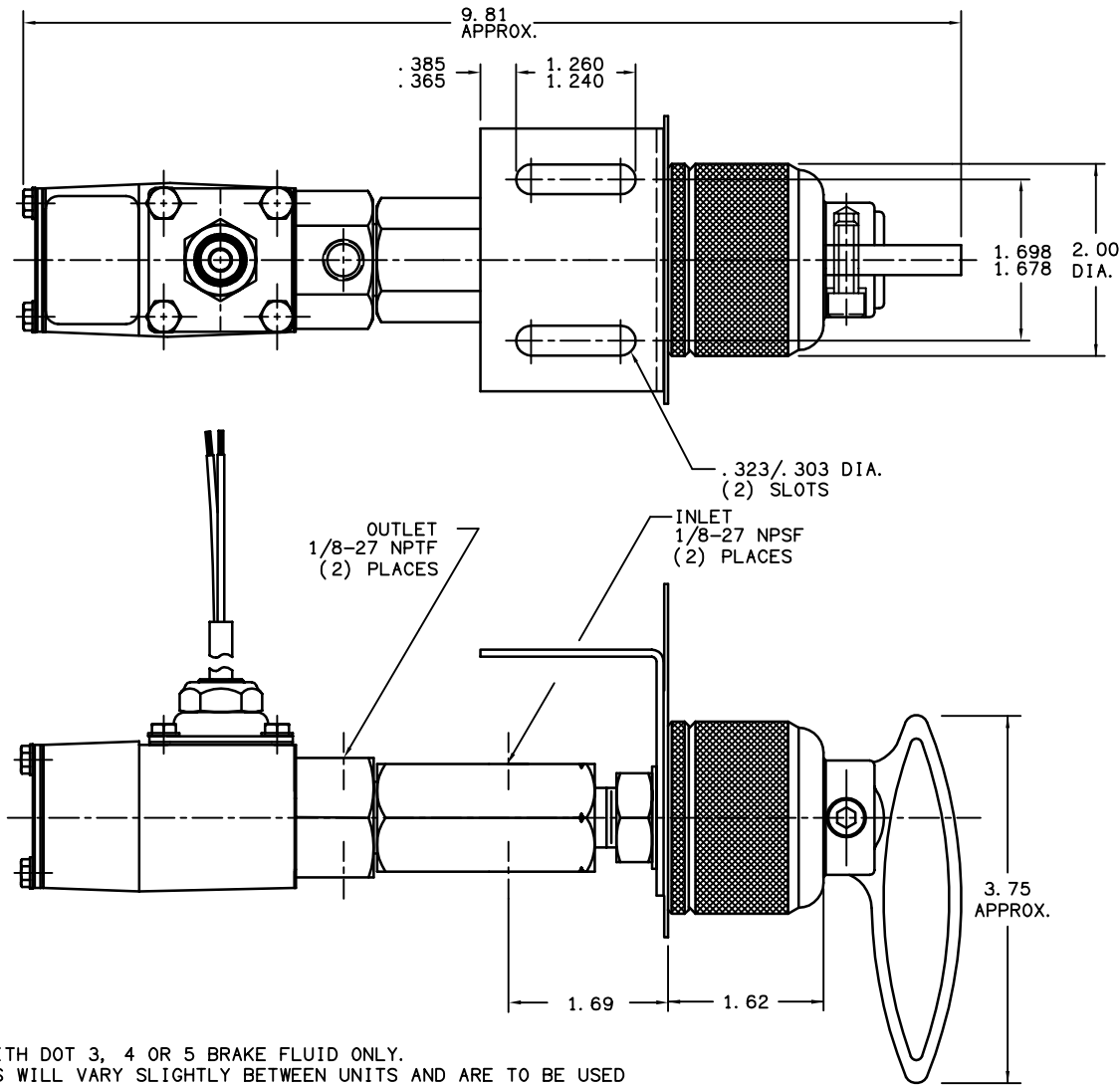


TITLE TWIST LOCK		PART NUMBER 03-640-075	
REV. M	NPR OR ECO NO. ECO	DATE	



NOTES:

- FOR USE WITH DOT 3, 4 OR 5 BRAKE FLUID ONLY.
- DIMENSIONS WILL VARY SLIGHTLY BETWEEN UNITS AND ARE TO BE USED FOR REFERENCE PURPOSES ONLY.
- LABEL MAY BE SHIPPED UNASSEMBLED TO LOCK.

PERFORMANCE CHARACTERISTICS:

- PRESSURE SETTINGS TO BE AS FOLLOWS:
 - CONTACTS OPEN BY 750 PSI MAX. INCREASING.
 - CONTACTS CLOSE BY 550 PSI MIN. DECREASING.
- WEATHER RESISTANT ADJUSTABLE PRESSURE SWITCH:
 - PROOF PRESSURE: 15,000 PSI.
 - LEAD WIRE LENGTH: 16" APPROXIMATE.
 - WIRE CODE: BLACK - COMMON
RED - NORMALLY CLOSED.
- SWITCH SPECIFICATIONS:
 - SINGLE POLE DOUBLE THROW.
 - RATED:

12 VDC	30 VDC	125 VAC	250 VAC
3 AMPS INDUCTIVE	3 AMPS INDUCTIVE	5 AMPS	5 AMPS
5 AMPS RESISTIVE	5 AMPS RESISTIVE		

MICO, INC. CLAIMS PROPRIETARY RIGHTS TO THE MATERIAL DISCLOSED IN THIS DOCUMENT. THIS DOCUMENT IS PROVIDED IN CONFIDENCE AND MAY NOT BE REPRODUCED OR DISCLOSED WITHOUT WRITTEN PERMISSION FROM MICO, INC. COPYRIGHT MICO, INC. ALL RIGHTS RESERVED.



North Mankato, Minnesota U.S.A.

COMPONENT AND SYSTEM RECOMMENDATIONS MADE BY MICO, INC. ARE BASED ON INFORMATION SUPPLIED BY POTENTIAL USER AND/OR SYSTEM DESIGNER. THE POTENTIAL USER AND/OR DESIGNER MUST MAKE FINAL ACCEPTANCE AND APPROVAL OF COMPONENTS AND SYSTEM AFTER TESTING PERFORMANCE ON AN ACTUAL APPLICATION FOR WHICH SYSTEM WAS DESIGNED.

SCALE 1/2	PART NUMBER 03-640-075	REV. M
X NO.	CUSTOMER COPY	
DRAWN LAM		
REVISED JLN		
DATE 8-27-98	CHECKED	APPROVED ENG.