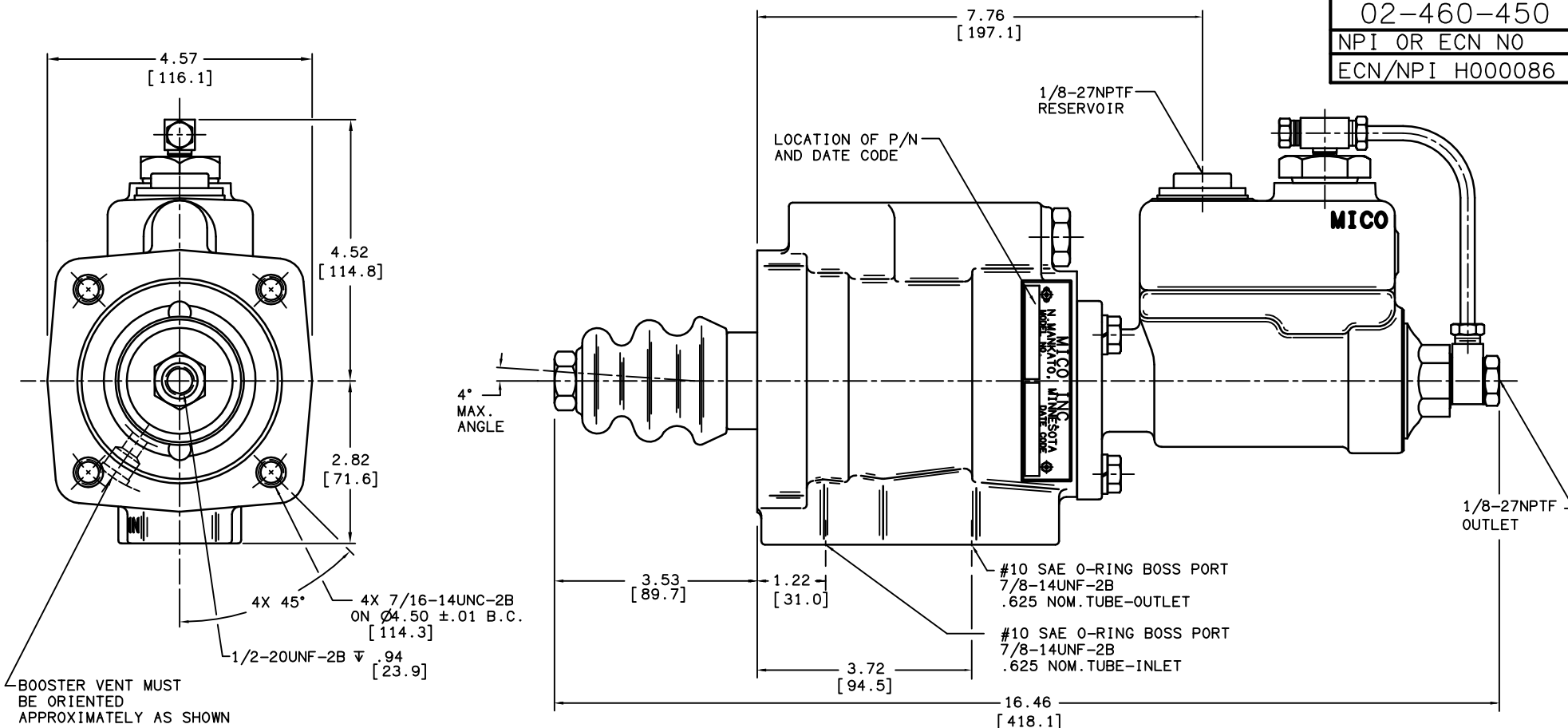


DRAWING NUMBER
02-460-450
NPI OR ECN NO
ECN/NPI H00086



NOTES:

- 1) DIMENSIONS MAY VARY BETWEEN UNITS AND ARE FOR REFERENCE PURPOSES ONLY. MILLIMETER VALUES MAY NOT BE AN EXACT CONVERSION OF INCH VALUES.
- 2) WHEN THE CHECK VALVE COMPONENTS ARE REMOVED FROM THE MASTER CYLINDER SECTION, THE FOLLOWING P/N'S OCCUR.
MASTER CYLINDER SECTION BECOMES P/N 20-101-418 AND THE POWER BRAKE VALVE BECOMES P/N 02-461-450.
- 3) FINISH: BLACK PAINT

BOOSTER SECTION:

BOOSTER SECTION FOR USE WITH MINERAL BASE HYDRAULIC OIL ONLY.
BOOSTER SECTION P/N 20-100-230.
BOOSTER SECTION REPAIR KIT P/N 02-400-100.

MASTER CYLINDER SECTION:

MASTER CYLINDER SECTION FOR USE WITH BRAKE FLUID ONLY.
MASTER CYLINDER SECTION P/N 20-100-418.
MASTER CYLINDER SECTION REPAIR KIT P/N 02-400-217.

PERFORMANCE CHARACTERISTICS:

MASTER CYLINDER SECTION BORES
Ø1.75 IN LOW PRESSURE
Ø1.00 IN HIGH PRESSURE
MASTER CYLINDER SECTION OUTPUT PRESSURE:
1500-1600 PSI @ 10 GPM
1450-1550 PSI @ 8 GPM
RELIEF VALVE PRESSURE (BOOSTER SECTION):
175-185 PSI @ 10 GPM
165-175 PSI @ 8 GPM
INPUT FORCE (POWER) APPROX.:
130 LB @ 1500 PSI
FLUID DISPLACEMENT:
1.1 - 2.2 CUIN
PUSH ROD TRAVEL:
1.62 IN

INCH
[MILLIMETER]



COMPONENT AND SYSTEM RECOMMENDATIONS MADE BY MICO, INC ARE BASED ON INFORMATION SUPPLIED BY POTENTIAL USER AND/OR SYSTEM DESIGNER. THE POTENTIAL USER AND/OR DESIGNER MUST MAKE FINAL ACCEPTANCE AND APPROVAL OF COMPONENTS AND SYSTEM AFTER TESTING PERFORMANCE ON AN ACTUAL APPLICATION FOR WHICH SYSTEM WAS DESIGNED.

MICO, INC CLAIMS PROPRIETARY RIGHTS TO THE MATERIAL DISCLOSED IN THIS DOCUMENT. THIS DOCUMENT IS PROVIDED IN CONFIDENCE AND MAY NOT BE REPRODUCED OR DISCLOSED WITHOUT WRITTEN PERMISSION FROM MICO, INC. COPYRIGHT MICO, INC. ALL RIGHTS RESERVED.

SCALE 3/8 - 1		TITLE POWER BRAKE VALVE		
DWN JRA 2012-06-08	APVD PROD ENGRG PJS 2012-06-29	SIZE A	DRAWING NUMBER 02-460-450	REV F
X NO	APVD ENGRG BSW 2012-06-08		CUSTOMER COPY	