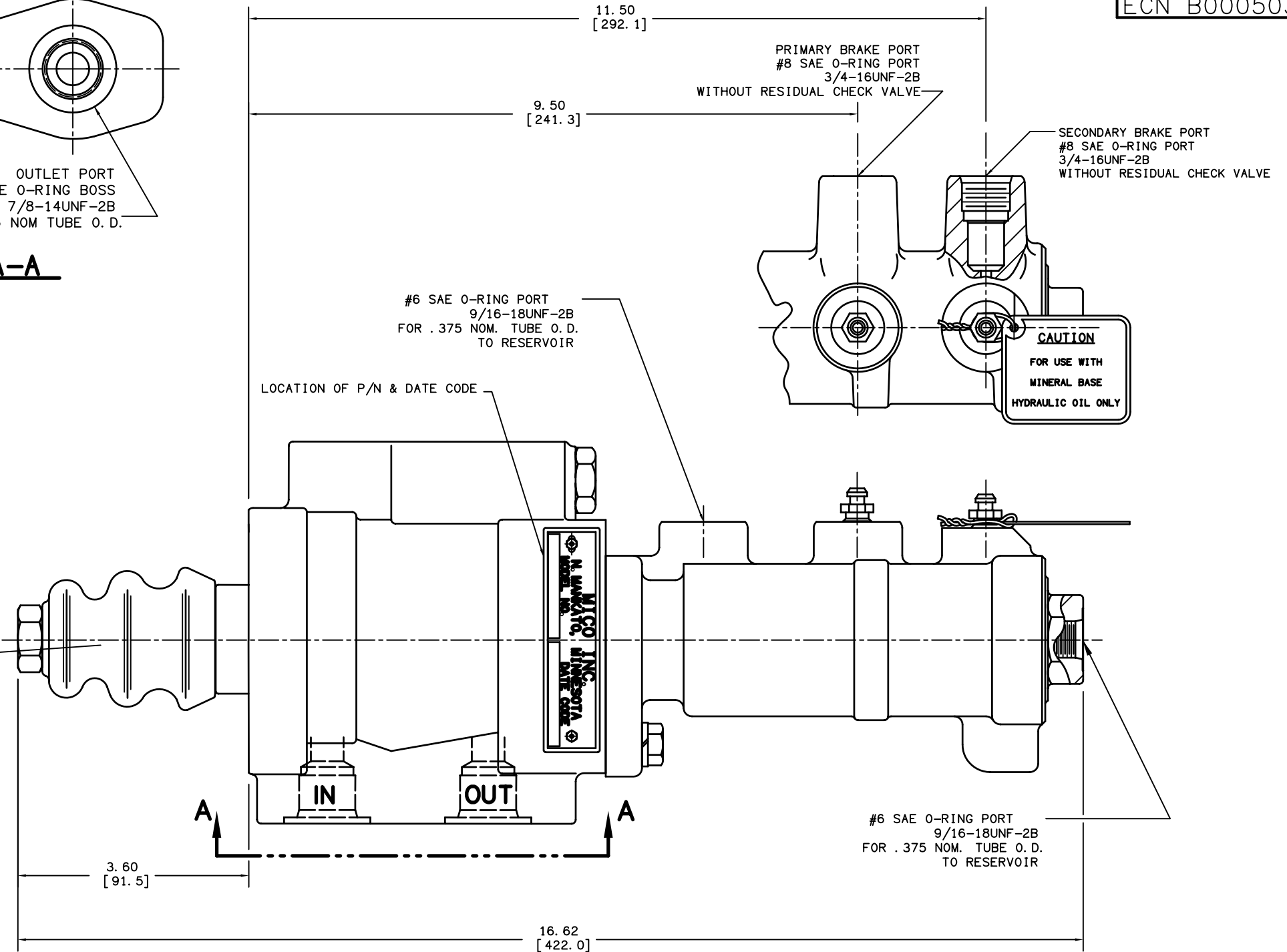
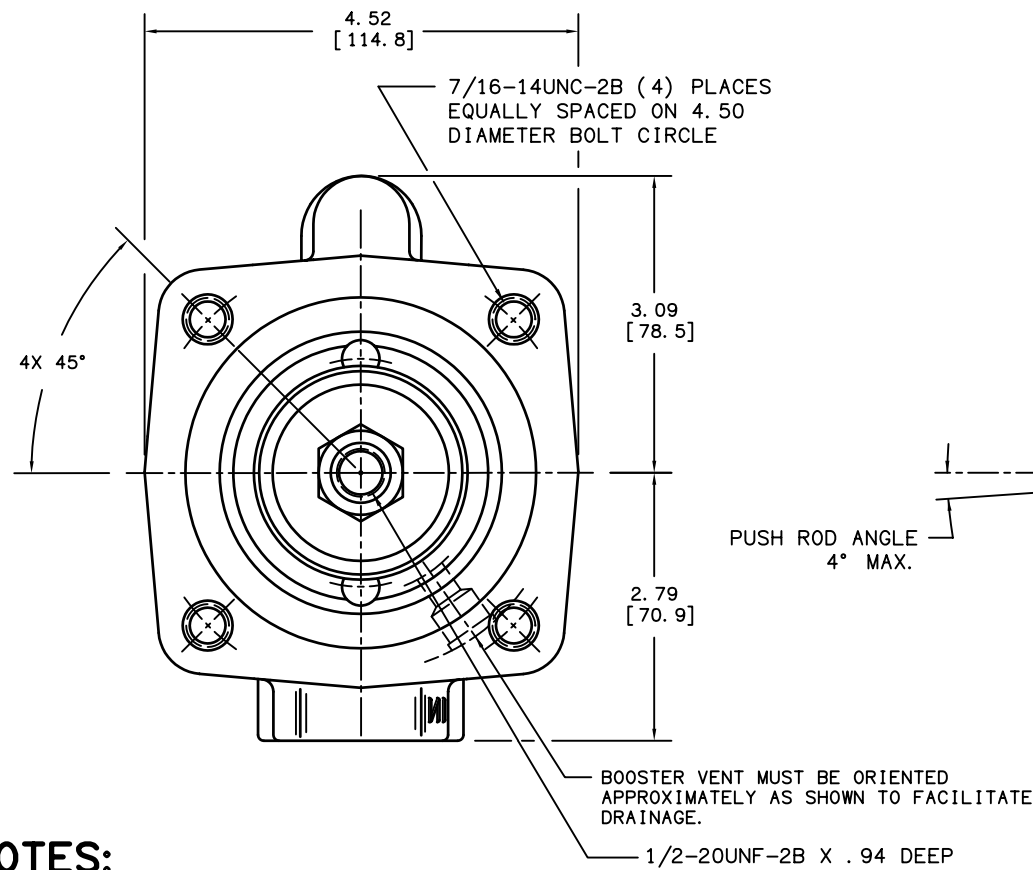


VIEW A-A



NOTES:

- 1) BOOSTER SECTION FOR USE WITH MINERAL BASE HYDRAULIC OIL ONLY.
- 2) BOOSTER SECTION REPAIR KIT P/N 02-400-097.
- 3) MASTER CYLINDER SECTION FOR USE WITH MINERAL BASE HYDRAULIC OIL ONLY.
- 4) MASTER CYLINDER SECTION REPAIR KIT P/N 02-400-236.
- 5) DIMENSIONS MAY VARY BETWEEN UNITS AND ARE FOR REFERENCE PURPOSES ONLY. MILLIMETER VALUES MAY NOT BE AN EXACT CONVERSION OF INCH VALUES.
- 6) SURFACE FINISH: GRAPHITE GRAY (RAL 7024) PAINT.

PERFORMANCE CHARACTERISTICS:

MASTER CYLINDER SECTION OUTPUT PRESSURE:
363 ± 50 PSI @ 10 GPM (25 BAR @ 38 LITERS/MIN)
INPUT FORCE (POWER) APPROX.:
165 LB @ 363 PSI (735 N @ 25 BAR)
FLUID DISPLACEMENT:
1.62 PRIMARY CUIN (26.6 CC)
1.62 SECONDARY CUIN (26.6 CC)
PUSH ROD TRAVEL:
1.62 IN. (41.1 mm)
BOOSTER FLOW CAPACITY:
3-12 GPM (11-45 LITERS/MIN)

**INCH
[MILLIMETER]**



COMPONENT AND SYSTEM RECOMMENDATIONS MADE BY MICO, INC ARE BASED ON INFORMATION SUPPLIED BY POTENTIAL USER AND/OR SYSTEM DESIGNER. THE POTENTIAL USER AND/OR DESIGNER MUST MAKE FINAL ACCEPTANCE AND APPROVAL OF COMPONENTS AND SYSTEM AFTER TESTING PERFORMANCE ON AN ACTUAL APPLICATION FOR WHICH SYSTEM WAS DESIGNED.		MICO, INC CLAIMS PROPRIETARY RIGHTS TO THE MATERIAL DISCLOSED IN THIS DOCUMENT. THIS DOCUMENT IS PROVIDED IN CONFIDENCE AND MAY NOT BE REPRODUCED OR DISCLOSED WITHOUT WRITTEN PERMISSION FROM MICO, INC. COPYRIGHT MICO, INC. ALL RIGHTS RESERVED.	
SCALE 1/2=1	TITLE TWO FLUID POWER BRAKE VALVE	SIZE B	DRAWING NUMBER 02-460-636
DWN LAM 2-4-05	APVD PROD ENGRG JC	REV D	CUSTOMER COPY
X NO X7634	APVD ENGRG JC		