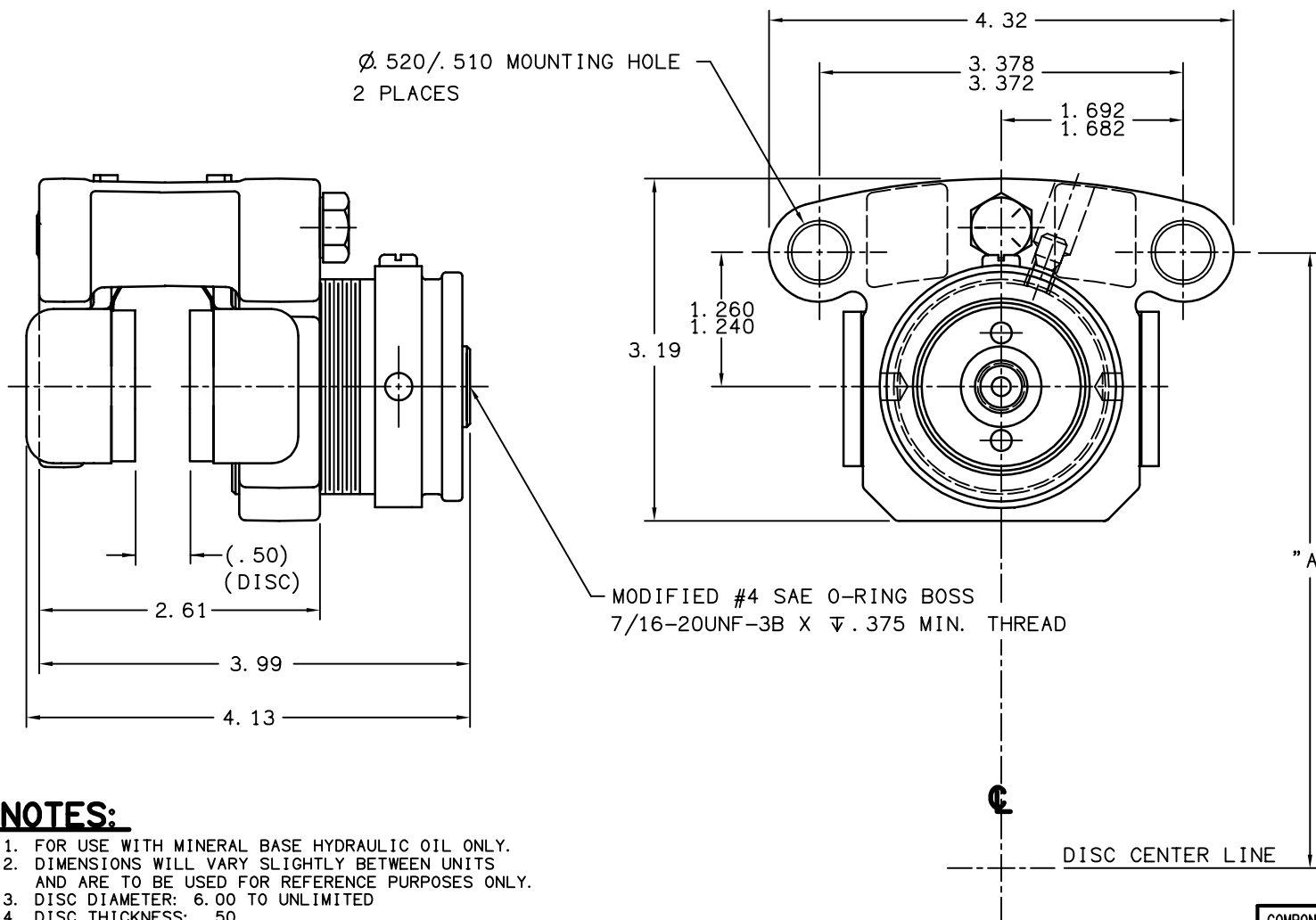


TITLE	SPRING BRAKE	PART NUMBER	02-515-002
-------	--------------	-------------	------------

REV.	NPR OR ECO NO.	DATE
M	ECO 3407	5-13-99



NOTES:

1. FOR USE WITH MINERAL BASE HYDRAULIC OIL ONLY.
2. DIMENSIONS WILL VARY SLIGHTLY BETWEEN UNITS AND ARE TO BE USED FOR REFERENCE PURPOSES ONLY.
3. DISC DIAMETER: 6.00 TO UNLIMITED
4. DISC THICKNESS: .50
5. "A" DIMENSION = DISC RADIUS + .38
6. SEAL KIT P/N 02-500-036.
7. REPAIR KIT P/N 02-500-187.
8. LINING KIT P/N 20-060-082.

COMPONENT AND SYSTEM RECOMMENDATIONS MADE BY MICO, INC. ARE BASED ON INFORMATION SUPPLIED BY POTENTIAL USER AND/OR SYSTEM DESIGNER. THE POTENTIAL USER AND/OR DESIGNER MUST MAKE FINAL ACCEPTANCE AND APPROVAL OF COMPONENTS AND SYSTEM AFTER TESTING PERFORMANCE ON AN ACTUAL APPLICATION FOR WHICH SYSTEM WAS DESIGNED.

PERFORMANCE CHARACTERISTICS:

1. BRAKE TORQUE: B_t (LBS-IN) = 250 X (DISC RADIUS - 1.00).
2. RELEASE PRESSURE 300 PSI
3. **CAUTION-** CONTINUOUS DUTY PRESSURE-2000 PSI
INTERMITTENT DUTY PRESSURE-2500 PSI
4. **CAUTION-** DISC RUBBING SPEED SHOULD NOT EXCEED 5000 FT./MIN.
IF BRAKE IS USED DYNAMICALLY.
5. 200 PSI MAX. BLEEDING PRESSURE.
6. MAXIMUM TORQUE ACHIEVED ONLY AFTER BRAKE HAS BEEN PROPERLY ADJUSTED AND BURNISHED.

MICO INC. CLAIMS PROPRIETARY RIGHTS TO THE MATERIAL DISCLOSED IN THIS DOCUMENT. THIS DOCUMENT IS PROVIDED IN CONFIDENCE AND MAY NOT BE REPRODUCED OR DISCLOSED WITHOUT WRITTEN PERMISSION FROM MICO INC. COPYRIGHT MICO INC. ALL RIGHTS RESERVED.

mico		North Mankato, Minnesota U. S. A.	
SCALE	5/8	PART NUMBER	02-515-002
X NO.		CUSTOMER COPY	
DRAWN	LAM	REV.	M
REVISED	WHR	DATE	4-6-99
CHECKED	SH	APPROVED	GA
5-25-99		ENG.	5-26-99