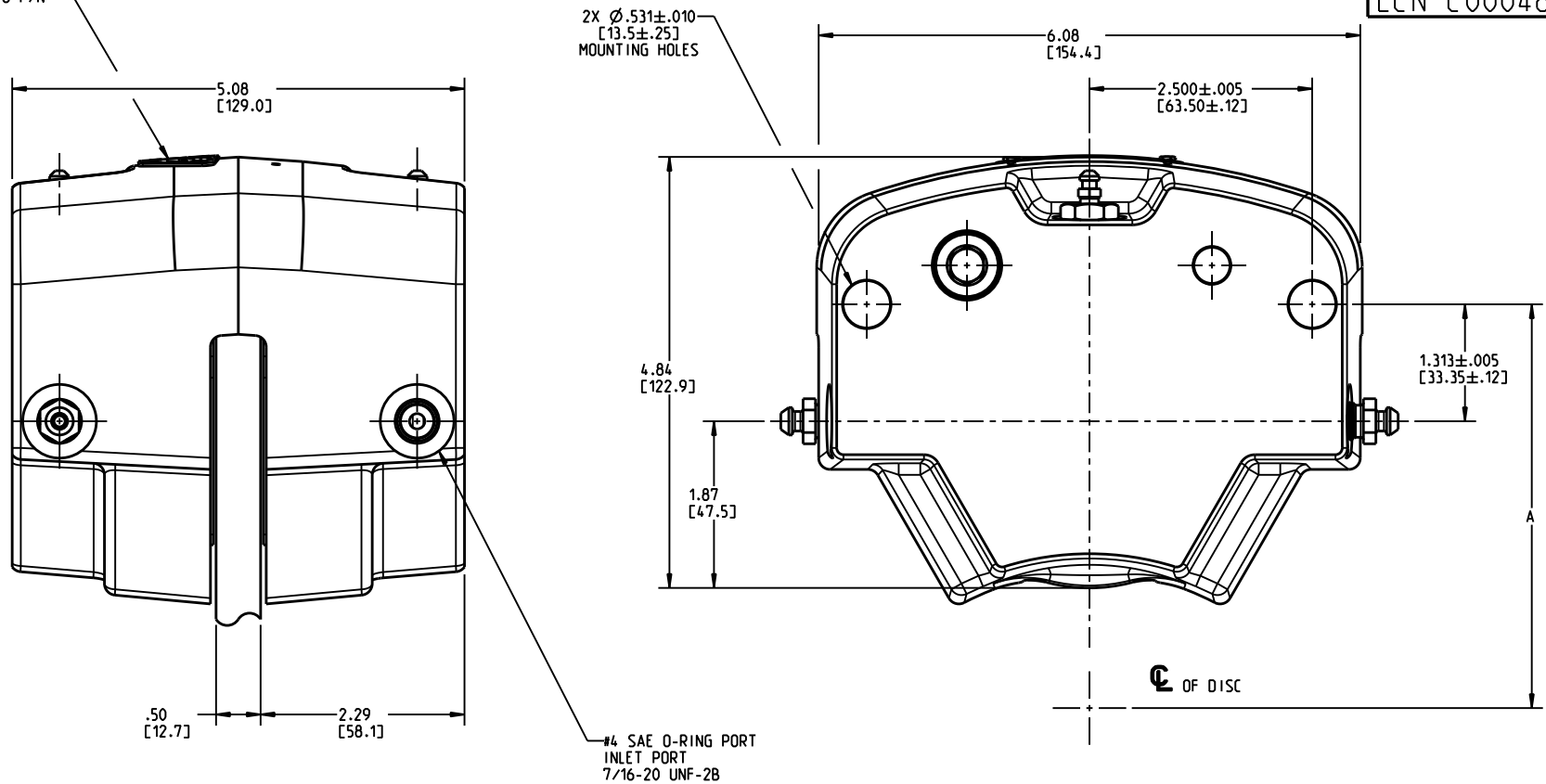


DRAWING NUMBER
02-520-210
NPI OR ECN NO
ECN C000481

LOCATION OF DATE CODE
AND MICO P/N



NOTES:

- 1) FOR USE WITH MINERAL BASE HYDRAULIC OIL ONLY.
- 2) DIMENSIONS WITHOUT TOLERANCE MAY VARY BETWEEN UNITS AND ARE TO BE USED FOR REFERENCE PURPOSES ONLY. MILLIMETER VALUES MAY NOT BE AN EXACT CONVERSION OF INCH VALUES.
- 3) REPAIR KIT P/N 02-500-430.
- 4) LINING KIT P/N 20-060-087.

PERFORMANCE CHARACTERISTICS:

- 1) DISC DIAMETER: 10.00 TO 24.00
- 2) DISC THICKNESS: .500.
- 3) MAXIMUM INPUT PRESSURE: 1500 PSI (2000 INTERMITTENT).
- 4) BRAKE TORQUE: B_t (IN-LBS) = 3.43 X PSI X (DISC RADIUS - 1.25)
- 5) CAUTION: DISC RUBBING SPEED SHOULD NOT EXCEED 5000 FT./MIN.

DISC DIA.	DIM "A"
10	5.00
12	6.00
14	7.13
16	8.13
18	9.19
20	10.19
24	12.31

INCH
(MILLIMETER)

MICO®

North Mankato, Minnesota USA

COMPONENT AND SYSTEM RECOMMENDATIONS MADE BY MICO, INC ARE BASED ON INFORMATION SUPPLIED BY POTENTIAL USER AND/OR SYSTEM DESIGNER. THE POTENTIAL USER AND/OR DESIGNER MUST MAKE FINAL ACCEPTANCE AND APPROVAL OF COMPONENTS AND SYSTEM AFTER TESTING PERFORMANCE ON AN ACTUAL APPLICATION FOR WHICH SYSTEM WAS DESIGNED.

MICO, INC CLAIMS PROPRIETARY RIGHTS TO THE MATERIAL DISCLOSED IN THIS DOCUMENT. THIS DOCUMENT IS PROVIDED IN CONFIDENCE AND MAY NOT BE REPRODUCED OR DISCLOSED WITHOUT WRITTEN PERMISSION FROM MICO, INC. COPYRIGHT MICO, INC. ALL RIGHTS RESERVED.

SCALE	TITLE			
0.500	DISC BRAKE			
DWN ETM 2013-07-02	APVD PROD ENGRG DPD 2013-07-03	SIZE A	DRAWING NUMBER 02-520-210	REV B
X NO	APVD ENGRG BSW 2013-07-02		CUSTOMER COPY	2 1