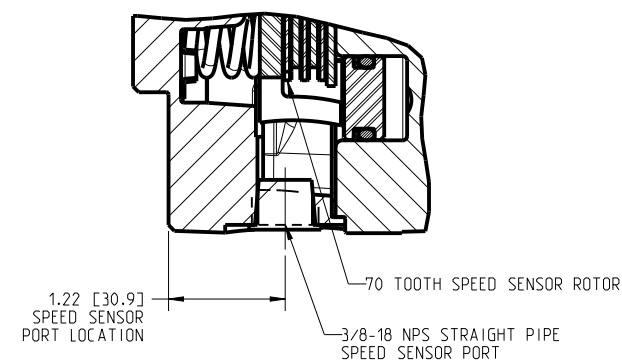


**NOTES:**

1. USE MINERAL BASE HYDRAULIC OIL ONLY FOR BRAKE RELEASE.
2. DIMENSIONS MAY VARY BETWEEN UNITS AND ARE FOR REFERENCE PURPOSES ONLY. MILLIMETER VALUES MAY NOT BE AN EXACT CONVERSION OF INCH VALUES.
3. REPAIR KIT P/N 12-501-410

**SPECIFICATIONS:**

TYPE:	DRY MULTIPLE DISC BRAKE, SPRING APPLY, HYDRAULIC RELEASE
MAXIMUM SPEED:	4,000 RPM. SHAFT SPEED CAPABILITY SPECIFIED IS FOR BRAKE IN RELEASED CONDITION. ENERGY ABSORPTION DURING APPLY CYCLE MUST BE CAREFULLY EXAMINED FOR EACH APPLICATION.
RELEASE PRESSURE:	160 PSI INITIAL, 230 PSI FULL & 3,000 PSI MAX.
TORQUE RATING:	2,900 LBIN STATIC (BREAKAWAY) AT 0 PSI BACK PRESSURE ACTUAL TORQUE MAY VARY BY UP TO 10% DUE TO MANUFACTURING TOLERANCES.
VOLUME OF OIL REQUIRED TO RELEASE BRAKE:	0.5 IN <sup>3</sup> MIN. & 0.9 IN <sup>3</sup> MAX.
LINING MATERIAL:	SINTERED BRONZE
APPROXIMATE WEIGHT:	23 LB



**SECTION C-C**

INCH  
[MILLIMETER]

<b>MICO</b> North Mankato, Minnesota USA				
SCALE 0.500	TITLE LMB-131329-BS 70-3/8 MULTIPLE DISC BRAKE			
DWNSHYPO 2016-03-17	APVD PROD ENGRG PJS 2016-04-11	SIZE B	DRAWING NUMBER 02-556-418	REV H
X NO	APVD ENGRG RV 2016-03-17	B	CUSTOMER COPY	2

COMPONENT AND SYSTEM RECOMMENDATIONS MADE BY MICO, INC ARE BASED ON INFORMATION SUPPLIED BY POTENTIAL USER AND/OR SYSTEM DESIGNER. THE POTENTIAL USER AND/OR DESIGNER MUST MAKE FINAL ACCEPTANCE AND APPROVAL OF COMPONENTS AND SYSTEM AFTER TESTING PERFORMANCE ON AN ACTUAL APPLICATION FOR WHICH SYSTEM WAS DESIGNED.

MICO, INC CLAIMS PROPRIETARY RIGHTS TO THE MATERIAL DISCLOSED IN THIS DOCUMENT. THIS DOCUMENT IS PROVIDED IN CONFIDENCE AND MAY NOT BE REPRODUCED OR DISCLOSED WITHOUT WRITTEN PERMISSION FROM MICO, INC. COPYRIGHT MICO, INC. ALL RIGHTS RESERVED.