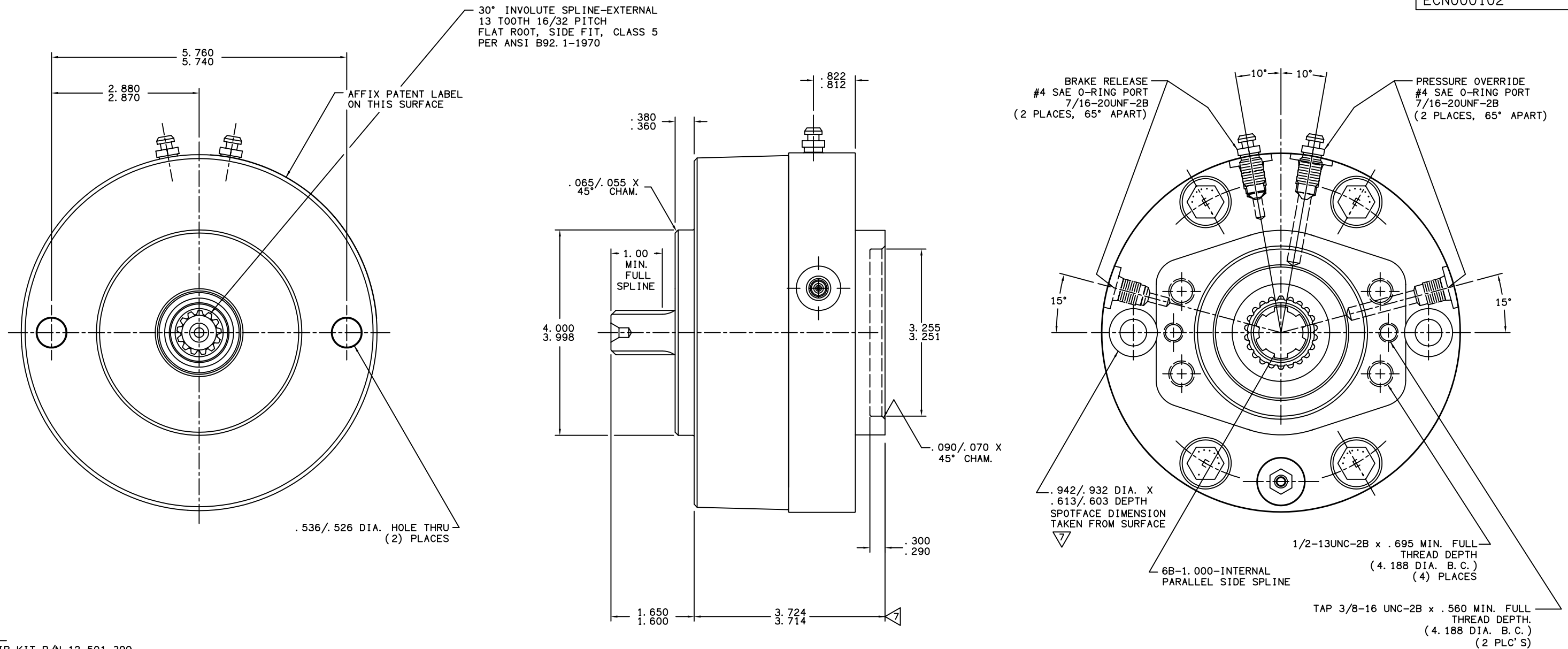


PART NUMBER
02-556-434
NPI OR ECN NO.
ECN000102



NOTES:

1) REPAIR KIT P/N 12-501-399

SPECIFICATIONS:

TYPE: MULTIPLE DISC BRAKE, SPRING APPLY, HYDRAULIC RELEASE. (WITH PRESSURE OVERRIDE)

FAILSAFE SECTION:
TORQUE RATING: 1,600 LB-IN STATIC (BREAKAWAY) AT 0 P. S. I. BACK PRESSURE

SERVICE OVERRIDE SECTION:
TORQUE RATING: 1,600 LB-IN @ 600 P. S. I.
MAXIMUM INPUT PRESSURE: 1,000 P. S. I.

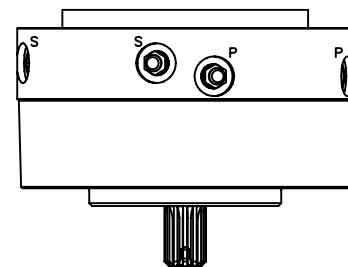
MAXIMUM SPEED: 3,000 RPM, HOWEVER, MAXIMUM SPEED AT TIME OF SERVICE APPLY IS DEPENDENT ON PRODUCT APPLICATION

RELEASE PRESSURE: 115 PSI INITIAL, 135 PSI FULL, 3,000 PSI MAXIMUM (CONTINUOUS)

LINING MATERIAL: NON-ASBESTOS ORGANIC

VOLUME OF OIL REQUIRED TO RELEASE BRAKE: 0.75 IN.³ MIN., 0.95 IN.³ MAX.

APPROXIMATE WEIGHT: 26 LBS.
FOR USE WITH MINERAL BASE HYDRAULIC OIL ONLY.



COMPONENT AND SYSTEM RECOMMENDATIONS MADE BY MICO, INC. ARE BASED ON INFORMATION SUPPLIED BY POTENTIAL USER AND/OR SYSTEM DESIGNER. THE POTENTIAL USER AND/OR DESIGNER MUST MAKE FINAL ACCEPTANCE AND APPROVAL OF COMPONENTS AND SYSTEM AFTER TESTING PERFORMANCE ON AN ACTUAL APPLICATION FOR WHICH SYSTEM WAS DESIGNED.

MICO, INC. CLAIMS PROPRIETARY RIGHTS TO THE MATERIAL DISCLOSED IN THIS DOCUMENT. THIS DOCUMENT IS PROVIDED IN CONFIDENCE AND MAY NOT BE REPRODUCED OR DISCLOSED WITHOUT WRITTEN PERMISSION FROM MICO, INC. COPYRIGHT MICO, INC. ALL RIGHTS RESERVED.

mico North Mankato, Minnesota U. S. A.			
TITLE PRESSURE OVERRIDE MULTIPLE DISC BRAKE LMB-130616-MP			
SCALE 1:2	CHECKED	PART NUMBER 02-556-434	REV B
DRN LH 10/05/03	APP ENG GAA 08/09/05	CUSTOMER COPY	