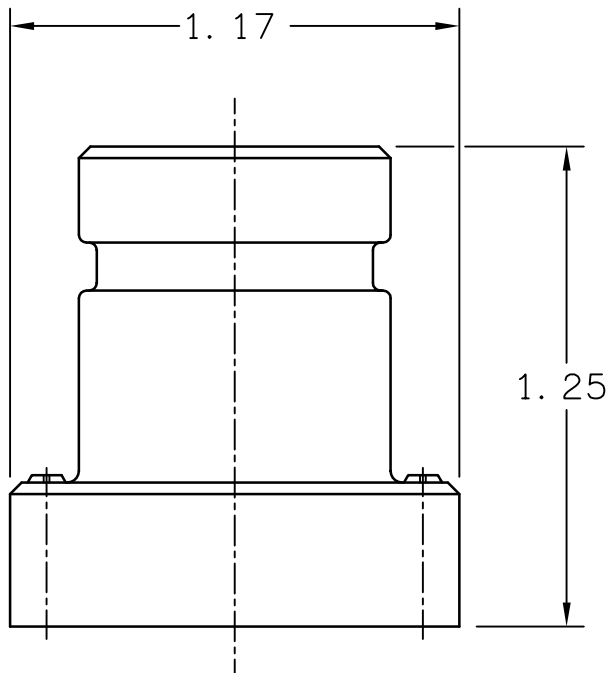
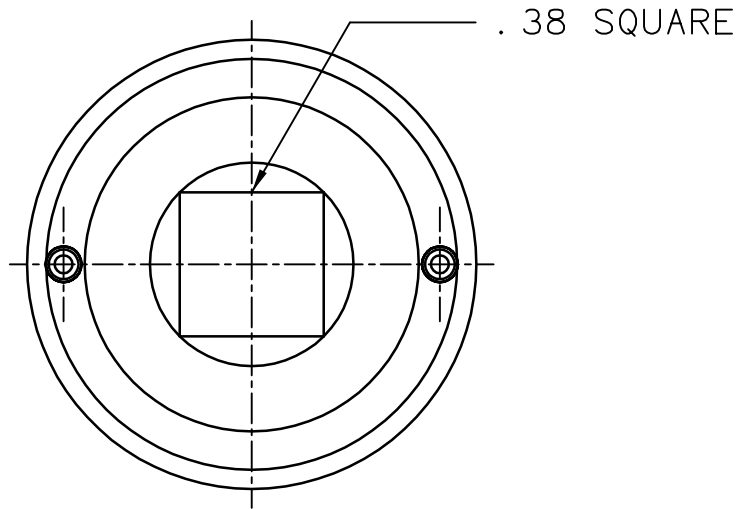


TITLE	RELIEF VALVE TOOL	PART NUMBER	02-720-001
-------	-------------------	-------------	------------

REV.	NPR OR ECO NO.	DATE
D	ECO	



COMPONENT AND SYSTEM RECOMMENDATIONS MADE BY MICO, INC. ARE BASED ON INFORMATION SUPPLIED BY POTENTIAL USER AND/OR SYSTEM DESIGNER. THE POTENTIAL USER AND/OR DESIGNER MUST MAKE FINAL ACCEPTANCE AND APPROVAL OF COMPONENTS AND SYSTEM AFTER TESTING PERFORMANCE ON AN ACTUAL APPLICATION FOR WHICH SYSTEM WAS DESIGNED.



North Mankato, Minnesota U. S. A.

MICO, INC. CLAIMS PROPRIETARY RIGHTS TO THE MATERIAL DISCLOSED IN THIS DOCUMENT. THIS DOCUMENT IS PROVIDED IN CONFIDENCE AND MAY NOT BE REPRODUCED OR DISCLOSED WITHOUT WRITTEN PERMISSION FROM MICO, INC. COPYRIGHT MICO, INC. ALL

SCALE	2=1	PART NUMBER	REV.
X NO.	x5327	02-720-001	D
DRAWN	TLJ	CUSTOMER COPY	
REVISED			
DATE	11-3-97	CHECKED	APPROVED ENG.