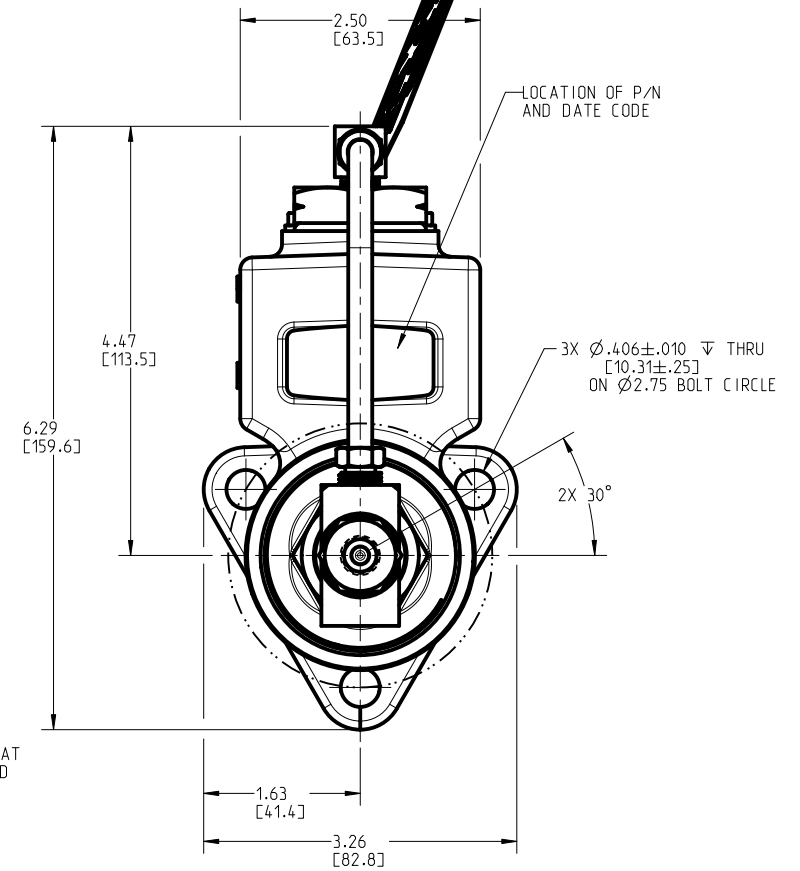
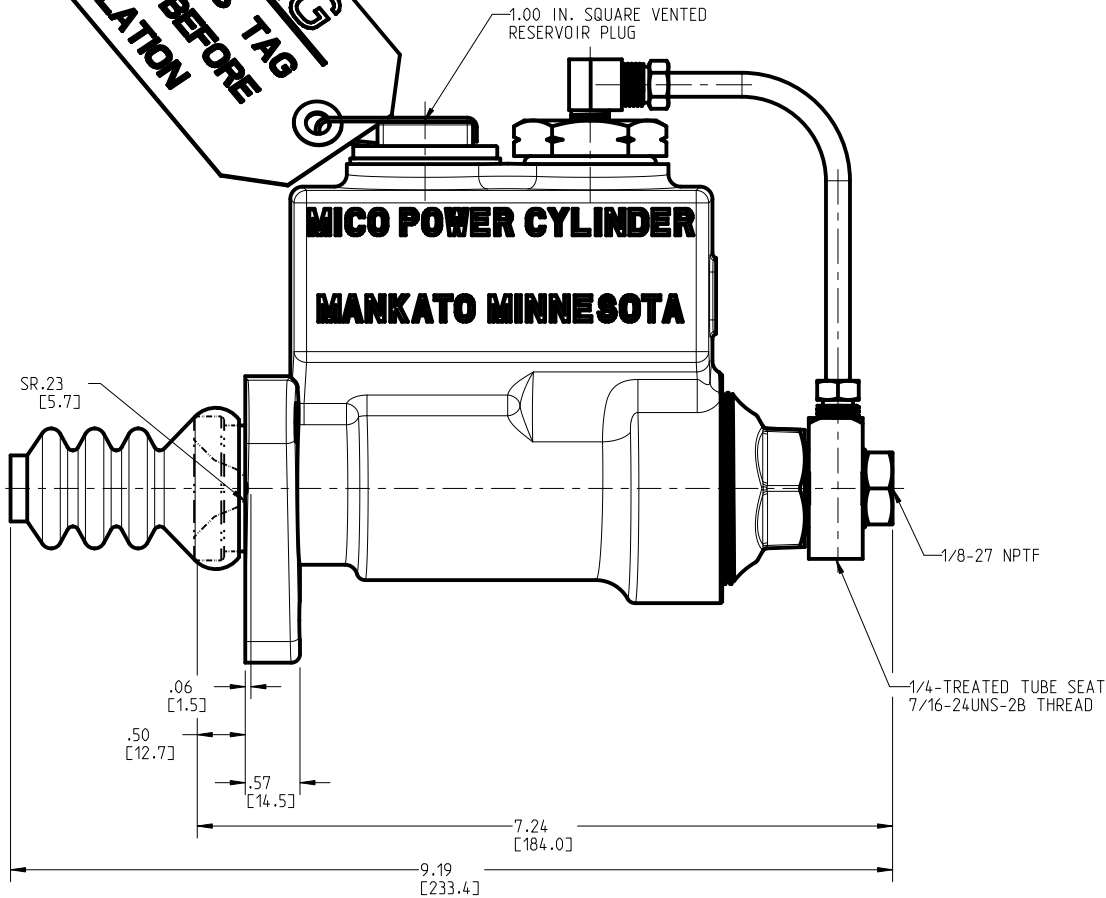


DRAWING NUMBER  
03-020-545  
NPI OR ECN NO  
ECN H000186

**WARNING**  
REMOVE THIS TAG  
AND CLIP BEFORE  
INSTALLATION



**NOTES:**

1. FOR USE WITH DOT 3, 4 OR 5 BRAKE FLUID ONLY.
2. DIMENSIONS MAY VARY BETWEEN UNITS AND ARE FOR REFERENCE PURPOSES ONLY. MILLIMETER VALUES MAY NOT BE AN EXACT CONVERSION OF INCH VALUES.
3. PUSH ROD AND BOOT MAY BE SHIPPED UNASSEMBLED TO CYLINDER.
4. REPAIR KIT P/N 02-001-233.
5. SURFACE FINISH: PRIMER PAINT.
6. WHEN RESIDUAL CHECK VALVE IS REMOVED PART NUMBER IS 03-021-545.

**PERFORMANCE CHARACTERISTICS:**

1. RELIEF VALVE SETTING IS 180 PSI.
2. LOW PRESSURE BORE:  $\varnothing 1.50$  IN.
3. HIGH PRESSURE BORE:  $\varnothing 0.88$  IN.
4. STROKE: 1.44 IN.

COMPONENT AND SYSTEM RECOMMENDATIONS MADE BY MICO, INC. ARE BASED ON INFORMATION SUPPLIED BY POTENTIAL USER AND/OR SYSTEM DESIGNER. THE POTENTIAL USER AND/OR DESIGNER MUST MAKE FINAL ACCEPTANCE AND APPROVAL OF COMPONENTS AND SYSTEM AFTER TESTING PERFORMANCE ON AN ACTUAL APPLICATION FOR WHICH SYSTEM WAS DESIGNED.

MICO, INC. CLAIMS PROPRIETARY RIGHTS TO THE MATERIAL DISCLOSED IN THIS DOCUMENT. THIS DOCUMENT IS PROVIDED IN CONFIDENCE AND MAY NOT BE REPRODUCED OR DISCLOSED WITHOUT WRITTEN PERMISSION FROM MICO, INC. COPYRIGHT MICO, INC. ALL RIGHTS RESERVED.



SCALE 0.500	TITLE POWER CYLINDER			
DWN JJH 2016-04-21	APVD PROD ENGRG PJS 2016-04-29	SIZE A	DRAWING NUMBER 03-020-545	REV E
X NO	APVD ENGRG BSW 2016-04-21	CUSTOMER COPY		1 1