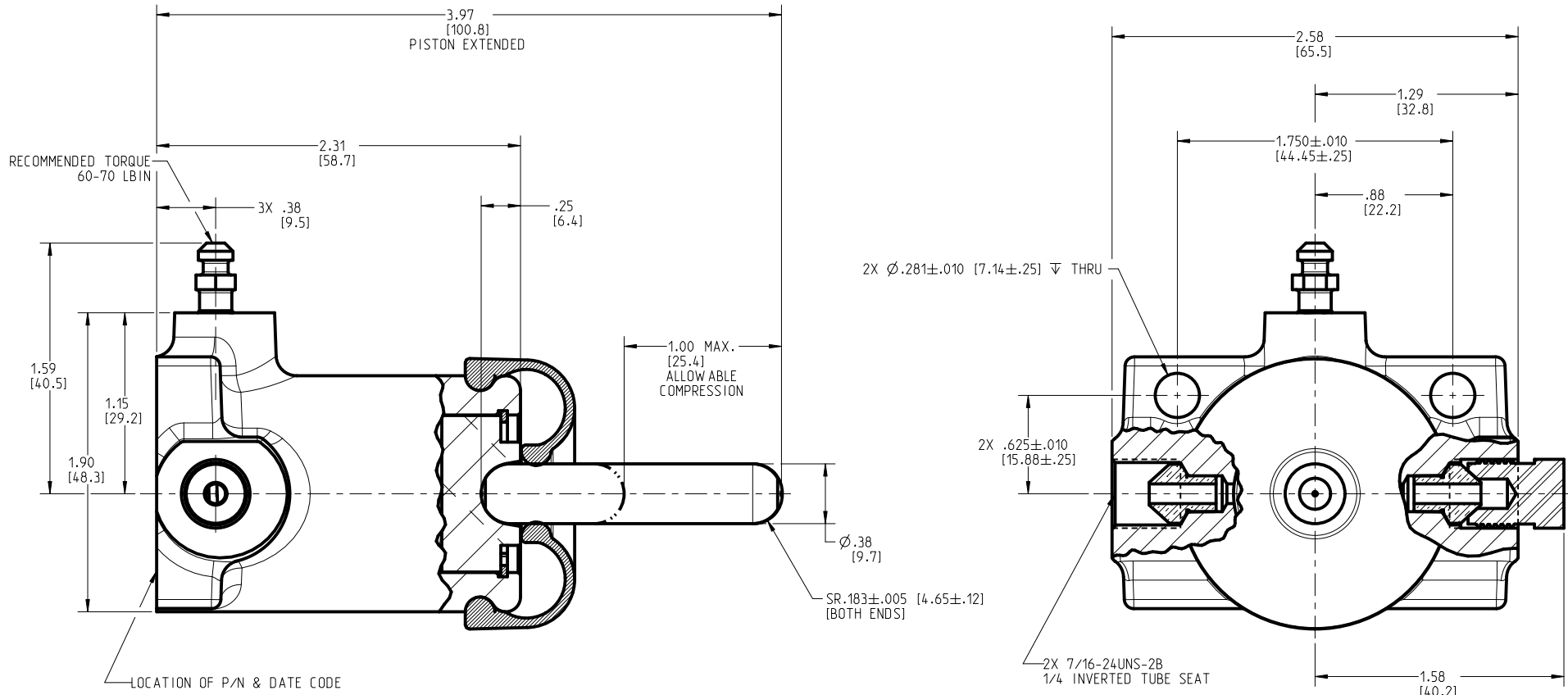


DRAWING NUMBER
03-120-017
NPI OR ECN NO
ECN C000593



INCH
[MILLIMETER]

NOTES:

- 1) FOR USE WITH DOT 3.4 OR 5 BRAKE FLUID ONLY.
- 2) DIMENSIONS MAY VARY SLIGHTLY BETWEEN UNITS AND ARE TO BE USED FOR REFERENCE PURPOSES ONLY. MILLIMETERS VALUES MAY NOT BE AN EXACT CONVERSION OF INCH VALUES.
- 3) REPAIR KIT P/N 02-100-007.

PERFORMANCE CHARACTERISTICS:

- 1) BORE: Ø1.000 IN. [25.4 mm]
- 2) STROKE: 1.00 IN. [25.4 mm]



COMPONENT AND SYSTEM RECOMMENDATIONS MADE BY MICO, INC ARE BASED ON INFORMATION SUPPLIED BY POTENTIAL USER AND/OR SYSTEM DESIGNER. THE POTENTIAL USER AND/OR DESIGNER MUST MAKE FINAL ACCEPTANCE AND APPROVAL OF COMPONENTS AND SYSTEM AFTER TESTING PERFORMANCE ON AN ACTUAL APPLICATION FOR WHICH SYSTEM WAS DESIGNED.

MICO, INC CLAIMS PROPRIETARY RIGHTS TO THE MATERIAL DISCLOSED IN THIS DOCUMENT. THIS DOCUMENT IS PROVIDED IN CONFIDENCE AND MAY NOT BE REPRODUCED OR DISCLOSED WITHOUT WRITTEN PERMISSION FROM MICO, INC. COPYRIGHT MICO, INC. ALL RIGHTS RESERVED.

SCALE 1.000		TITLE SLAVE CYLINDER		
DWN JJH 2016-01-08	APVD PROD ENGRG DPD 2016-01-18	SIZE A	DRAWING NUMBER 03-120-017	REV G
X NO X7227	APVD ENGRG BSW 2016-01-12	CUSTOMER COPY		1 1