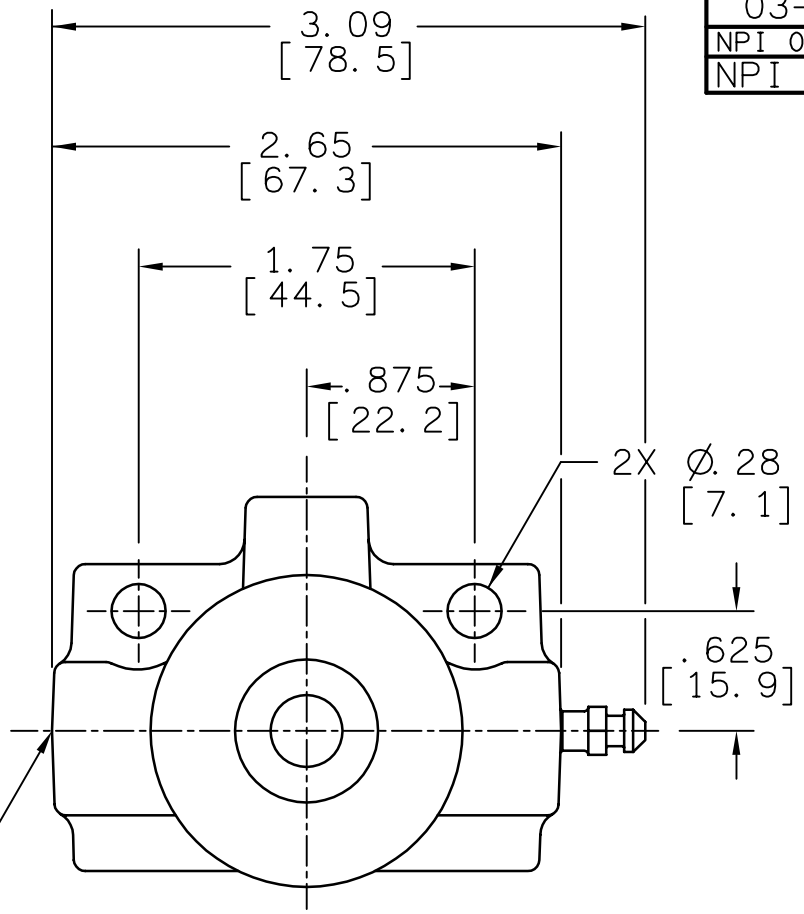
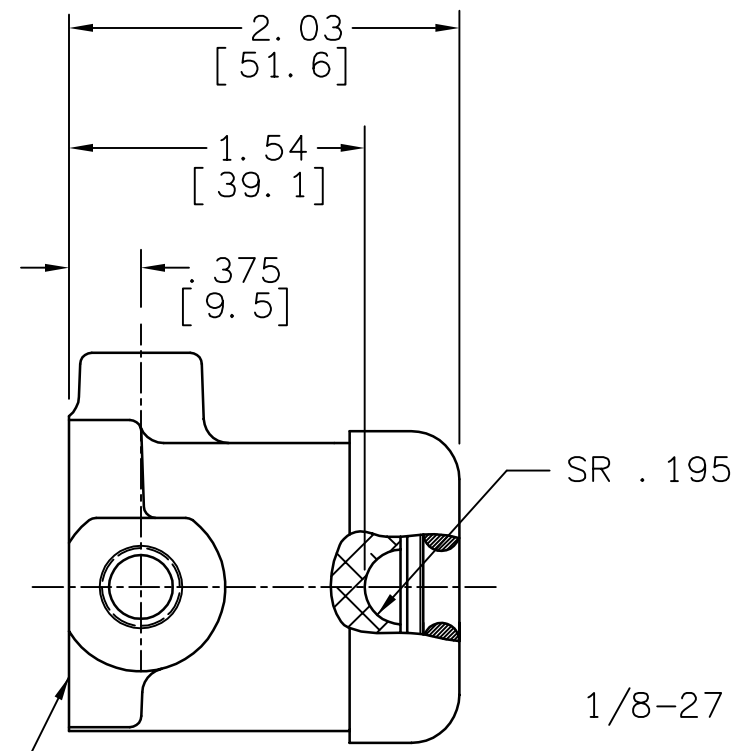


PART NUMBER
03-120-069
NPI OR ECN NO.
NPI B000005



LOCATION OF MICO  
P/N AND DATE CODE

**INCH**  
[ **millimeter** ]

**NOTES:**

- 1) FOR USE WITH DOT 3, 4 OR 5 BRAKE FLUID ONLY.
- 2) DIMENSIONS MAY VARY SLIGHTLY BETWEEN UNITS AND ARE TO BE USED FOR REFERENCE PURPOSES ONLY.
- 3) BLEEDER SCREW IS TO BE ORIENTED VERTICALLY UP WHEN THE UNIT IS MOUNTED.
- 4) REPAIR KIT P/N 02-100-048.

**PERFORMANCE CHARACTERISTICS:**

- 1) BORE:  $\phi$  .625
- 2) STROKE: .500

COMPONENT AND SYSTEM RECOMMENDATIONS MADE BY MICO, INC. ARE BASED ON INFORMATION SUPPLIED BY POTENTIAL USER AND/OR SYSTEM DESIGNER. THE POTENTIAL USER AND/OR DESIGNER MUST MAKE FINAL ACCEPTANCE AND APPROVAL OF COMPONENTS AND SYSTEM AFTER TESTING PERFORMANCE ON AN ACTUAL APPLICATION FOR WHICH SYSTEM WAS DESIGNED.	MICO, INC. CLAIMS PROPRIETARY RIGHTS TO THE MATERIAL DISCLOSED IN THIS DOCUMENT. THIS DOCUMENT IS PROVIDED IN CONFIDENCE AND MAY NOT BE REPRODUCED OR DISCLOSED WITHOUT WRITTEN PERMISSION FROM MICO, INC. COPYRIGHT MICO, INC. ALL RIGHTS RESERVED.
---	--



TITLE			
SLAVE CYLINDER			
SCALE	CHECKED	PART NUMBER	REV
1=1	SH	03-120-069	A
DRN TLJ	APP ENG	CUSTOMER COPY	
4-10-2000	JC		