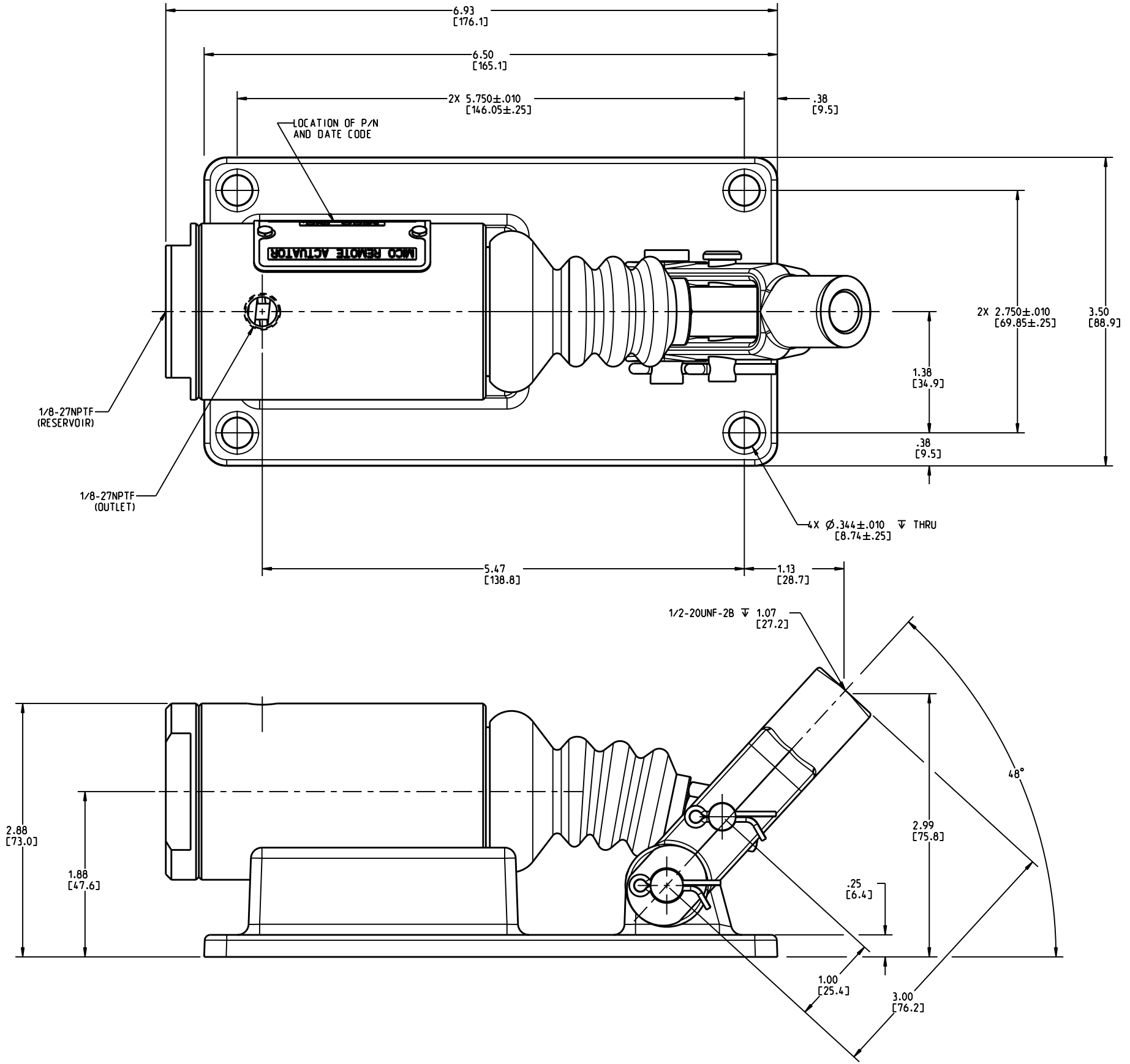


DRAWING NUMBER
03-460-065
NPI OR ECN NO
ECN B000975



NOTES:

1. TO BE USED WITH DOT 3, 4 OR 5 BRAKE FLUID ONLY.
2. DIMENSIONS WITHOUT TOLERANCE MAY VARY BETWEEN UNITS AND ARE TO BE USED FOR REFERENCE PURPOSES ONLY. MILLIMETER VALUES MAY NOT BE AN EXACT CONVERSION OF INCH VALUES.
3. REPAIR KIT 02-400-066. KIT ALSO INCLUDES SEAT, RETAINER AND O-RING FOR END PLUG ASSEMBLY AND CUPS AND RETAINER FOR PISTON ASSEMBLY.
4. SURFACE COATING: ZINC CHROMATE PER ASTM B633.

PERFORMANCE CHARACTERISTICS:

1. BORE: Ø1.125 IN
2. TOTAL STROKE: 1.25 IN
3. EFFECTIVE DISPLACEMENT: 1.18 CUIN

INCH
[MILLIMETER]



COMPONENT AND SYSTEM RECOMMENDATIONS MADE BY MICO, INC ARE BASED ON INFORMATION SUPPLIED BY POTENTIAL USER AND/OR SYSTEM DESIGNER. THE POTENTIAL USER AND/OR DESIGNER MUST MAKE FINAL ACCEPTANCE AND APPROVAL OF COMPONENTS AND SYSTEM AFTER TESTING PERFORMANCE ON AN ACTUAL APPLICATION FOR WHICH SYSTEM WAS DESIGNED.

MICO, INC CLAIMS PROPRIETARY RIGHTS TO THE MATERIAL DISCLOSED IN THIS DOCUMENT. THIS DOCUMENT IS PROVIDED IN CONFIDENCE AND MAY NOT BE REPRODUCED OR DISCLOSED WITHOUT WRITTEN PERMISSION FROM MICO, INC. COPYRIGHT MICO, INC. ALL RIGHTS RESERVED.

SCALE 0.750	TITLE REMOTE ACTUATOR			
DWN MAP 2010-01-25	APVD PROD ENGRG DPD 2010-10-25	SIZE B	DRAWING NUMBER 03-460-065	REV G
X NO .	APVD ENGRG BSW 2010-10-01		CUSTOMER COPY	1 1