

NOTES:

- 1) TO BE USED WITH MINERAL BASE HYDRAULIC OIL ONLY.
- 2) DIMENSIONS MAY VARY BETWEEN UNITS AND ARE FOR REFERENCE PURPOSES ONLY. MILLIMETER VALUES MAY NOT BE AN EXACT CONVERSION OF INCH VALUES.
- 3) **CAUTION:** INPUT PISTON MUST BE RETAINED EXTERNALLY BEFORE HYDRAULIC CONNECTIONS ARE MADE. IMPROPER INSTALLATION MAY FORCE PISTON FROM HOUSING BORE.
- 4) VALVE ASSEMBLY SURFACE FINISH: OLIVE DRAB PRIMER PER DOD-P-15328 SPECIFICATION.
- 5) PINS ARE ZINC PLATED STEEL. APPLY A POLYMER BASE MOLY GREASE TO PINS PRIOR TO INSTALLATION.
- 6) CUSTOMER TO ADJUST CAP SCREW ∇ TO MAINTAIN INPUT PISTON INSTALLED HEIGHT SHOWN.

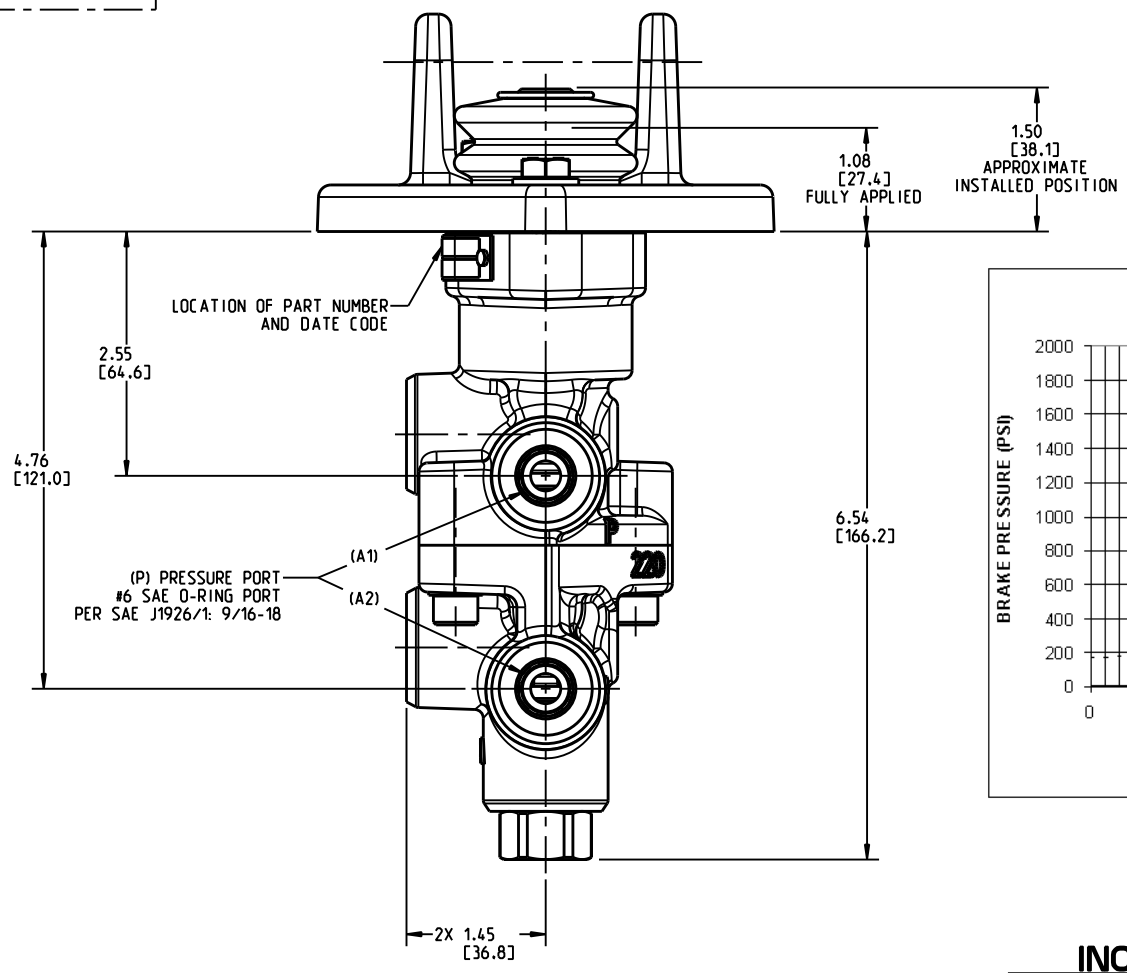
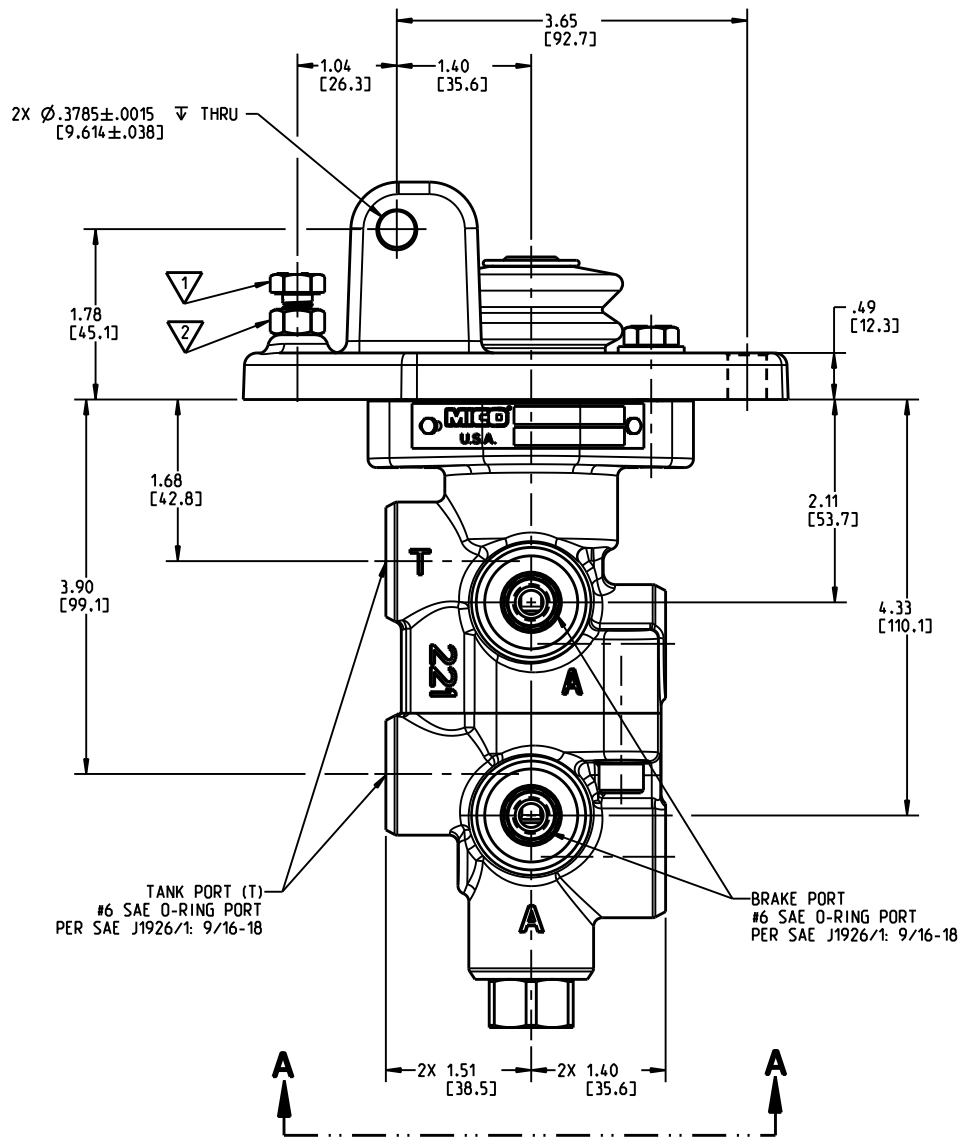
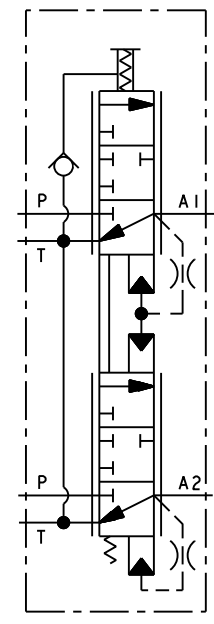
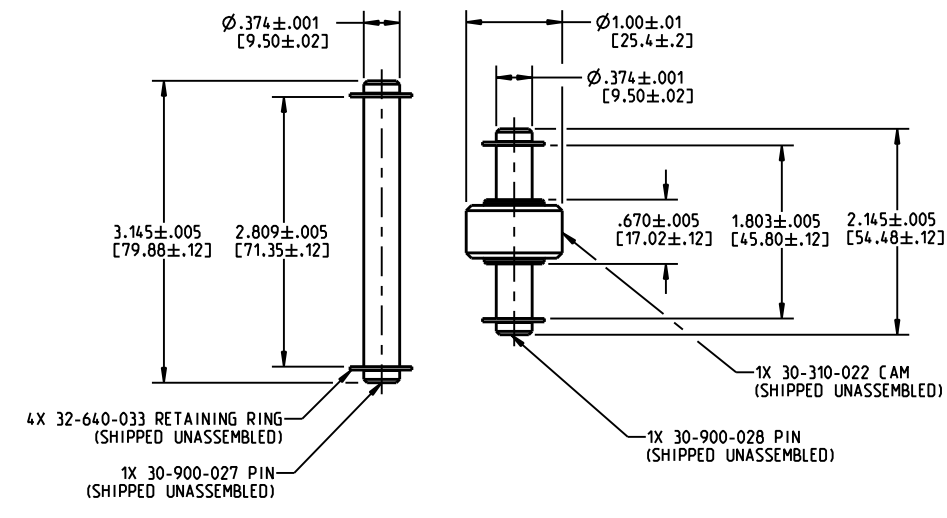
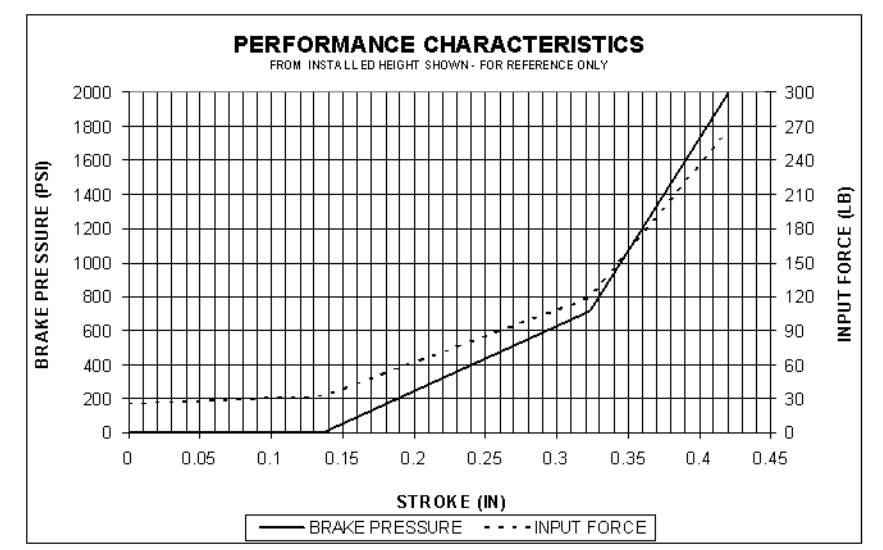
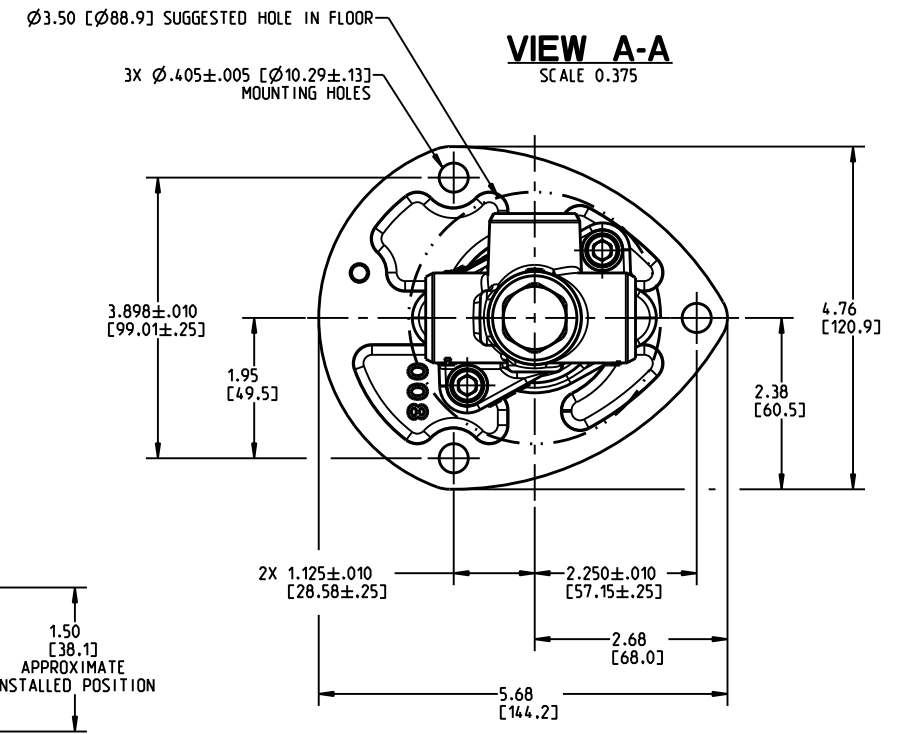
TORQUE NUT ∇ TO 13-17 LBFT AFTER CAP SCREW ADJUSTMENT.

PERFORMANCE CHARACTERISTICS:

- 1) BRAKE PRESSURE SETTING IS 2000±100 PSI [137.9±7 bar] PORT A1.
- 2) PRESSURE FROM THE PORT A1 IS APPROXIMATELY 125 PSI [9 bar] HIGHER THAN THE PRESSURE FROM PORT A2.
- 3) MAXIMUM INPUT PRESSURE IS 3000 PSI [207 bar].
- 4) TEMPERATURE RANGE: -40 TO +225 °F [-40 TO +107 °C].
- 5) INPUT FORCE TO FULLY ACTIVATE VALVE IS 267 LBS.

SERVICE PARTS:

- 1) VALVE ASSEMBLY P/N 20-100-587.
- 2) REPAIR KIT P/N 06-400-152.



INCH
[MILLIMETER]

MICO
North Mankato, Minnesota USA

SCALE 0.500	TITLE TANDEM MODULATING VALVE		
DWN JJH 2012-04-10	APVD PROD ENGRG	SIZE B	DRAWING NUMBER 03-466-204
X NO X4896-22	APVD ENGRG BSW 2012-04-10		REV C CUSTOMER COPY

COMPONENT AND SYSTEM RECOMMENDATIONS MADE BY MICO, INC ARE BASED ON INFORMATION SUPPLIED BY POTENTIAL USER AND/OR SYSTEM DESIGNER. THE POTENTIAL USER AND/OR DESIGNER MUST MAKE FINAL ACCEPTANCE AND APPROVAL OF COMPONENTS AND SYSTEM AFTER TESTING PERFORMANCE ON AN ACTUAL APPLICATION FOR WHICH SYSTEM WAS DESIGNED.

MICO, INC CLAIMS PROPRIETARY RIGHTS TO THE MATERIAL DISCLOSED IN THIS DOCUMENT. THIS DOCUMENT IS PROVIDED IN CONFIDENCE AND MAY NOT BE REPRODUCED OR DISCLOSED WITHOUT WRITTEN PERMISSION FROM MICO, INC. COPYRIGHT MICO, INC. ALL RIGHTS RESERVED.