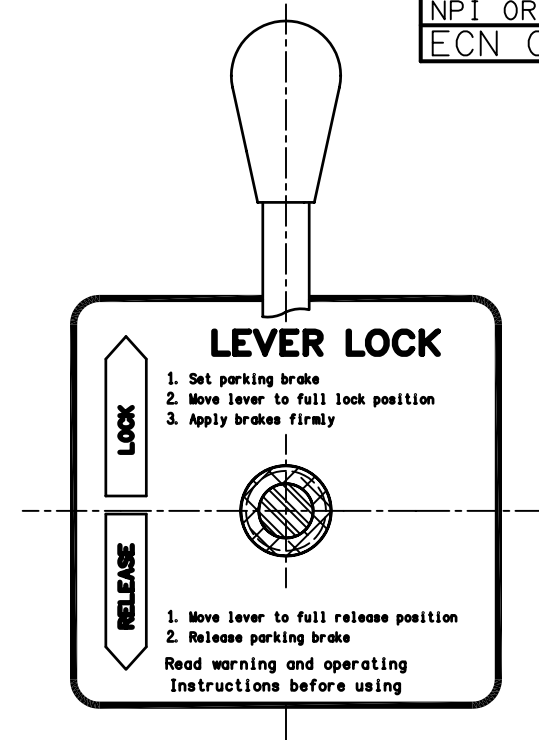
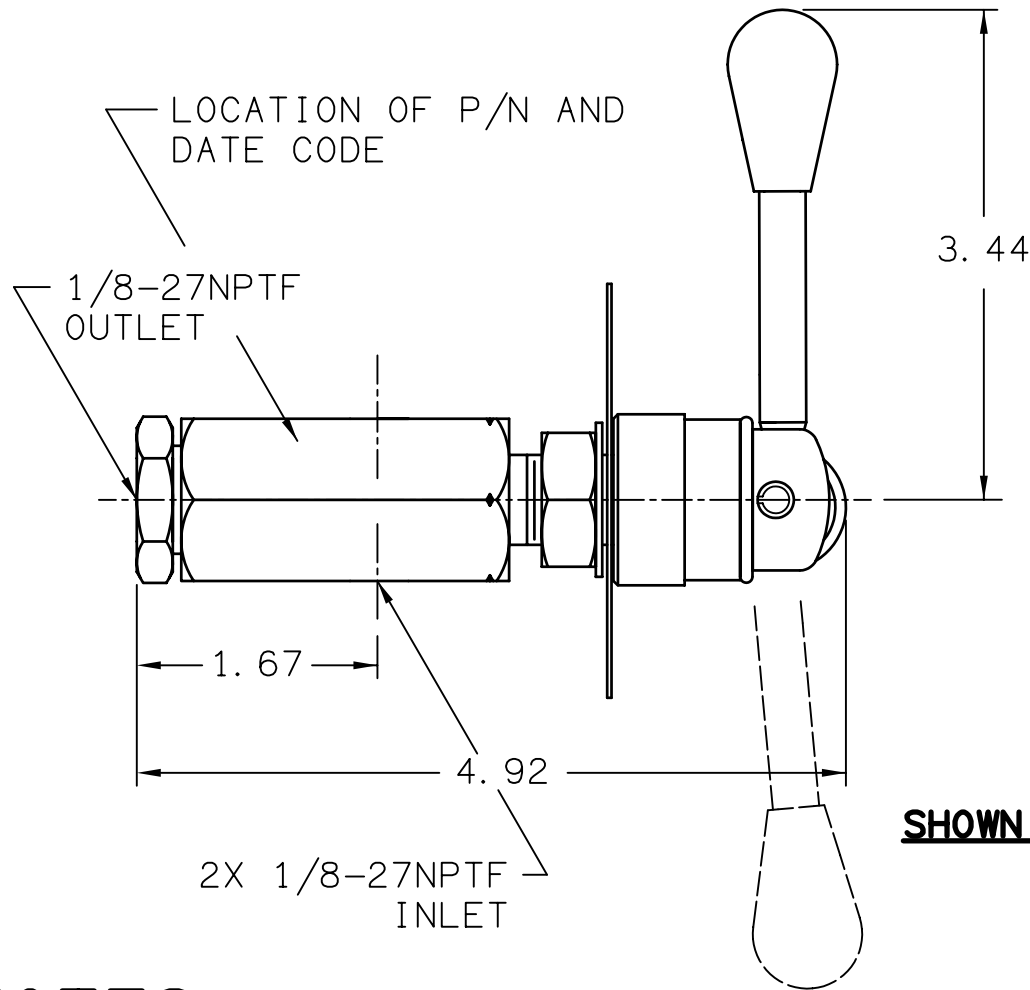


DRAWING NUMBER
03-640-032
NPI OR ECN NO
ECN C000198



SHOWN IN LOCKED POSITION

NOTES:

1. FOR USE WITH DOT 3, 4 OR 5 BRAKE FLUID ONLY.
2. DIMENSIONS WILL VARY SLIGHTLY BETWEEN UNITS AND ARE TO BE USED FOR REFERENCE PURPOSES ONLY.
3. REPAIR KIT P/N 02-600-001.
4. LABEL MAY BE SHIPPED UNASSEMBLED TO LOCK.

COMPONENT AND SYSTEM RECOMMENDATIONS MADE BY MICO, INC ARE BASED ON INFORMATION SUPPLIED BY POTENTIAL USER AND/OR SYSTEM DESIGNER. THE POTENTIAL USER AND/OR DESIGNER MUST MAKE FINAL ACCEPTANCE AND APPROVAL OF COMPONENTS AND SYSTEM AFTER TESTING PERFORMANCE ON AN ACTUAL APPLICATION FOR WHICH SYSTEM WAS DESIGNED.

MICO, INC. CLAIMS PROPRIETARY RIGHTS TO THE MATERIAL DISCLOSED IN THIS DOCUMENT. THIS DOCUMENT IS PROVIDED IN CONFIDENCE AND MAY NOT BE REPRODUCED OR DISCLOSED WITHOUT WRITTEN PERMISSION FROM MICO, INC. COPYRIGHT MICO, INC. ALL RIGHTS RESERVED.



SCALE .75	TITLE LEVER LOCK			
DWN jc 06-FEB-04	APVD PROD ENGRG	SIZE A	DRAWING NUMBER 03-640-032	REV G
X NO	APVD ENGRG JC	CUSTOMER COPY		