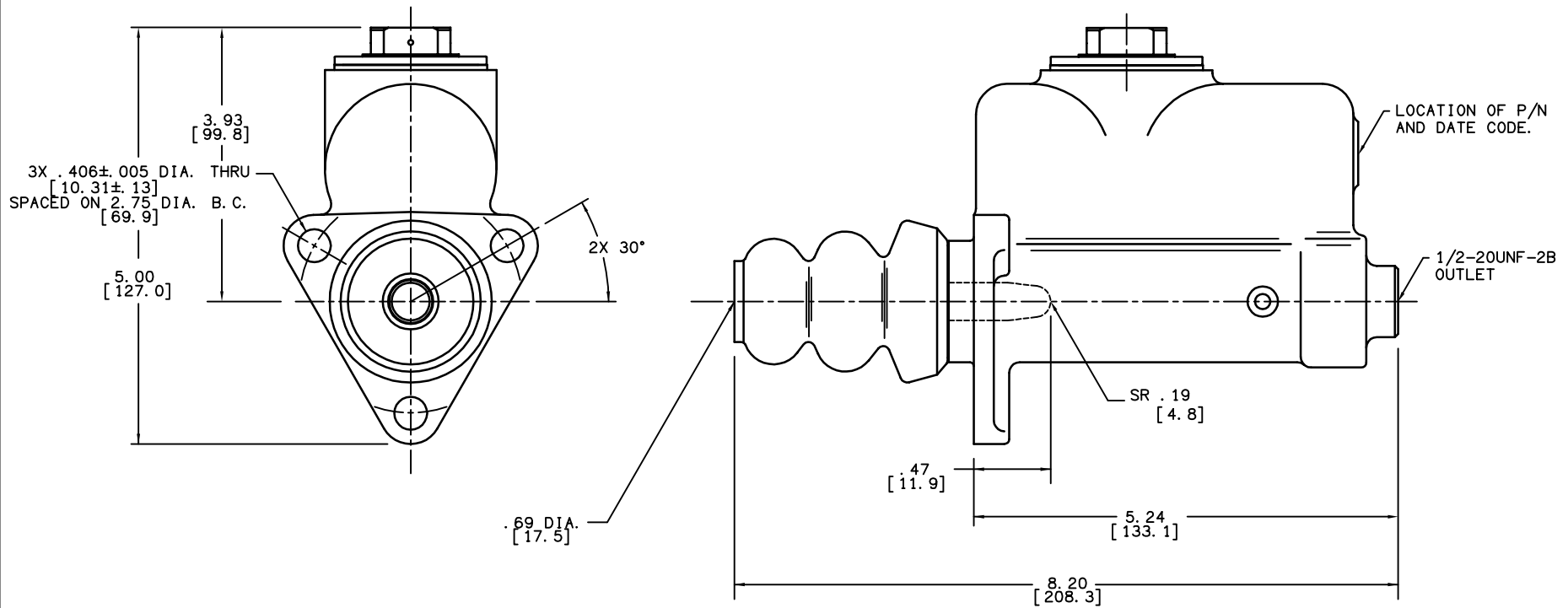


PART NUMBER 04-020-084
NPI OR ECN NO.
ECN B000283



NOTES:

1. FOR USE WITH MINERAL BASE HYDRAULIC OIL ONLY.
2. DIMENSIONS MAY VARY SLIGHTLY BETWEEN UNITS AND ARE TO BE USED FOR REFERENCE PURPOSES ONLY.
3. REPAIR KIT P/N 02-001-106.
4. BOOT MAY BE SHIPPED UNASSEMBLED TO CYLINDER.
5. MASTER CYLINDER IS PAINTED WITH SHERWIN-WILLIAMS POLYURETHANE: CARBIDE BLACK.

PERFORMANCE CHARACTERISTICS:

1. BORE: 1.00 DIA.
2. STROKE: 1.44 MAX.

**INCH
[MILLIMETER]**



COMPONENT AND SYSTEM RECOMMENDATIONS MADE BY MICO, INC. ARE BASED ON INFORMATION SUPPLIED BY POTENTIAL USER AND/OR SYSTEM DESIGNER. THE POTENTIAL USER AND/OR DESIGNER MUST MAKE FINAL ACCEPTANCE AND APPROVAL OF COMPONENTS AND SYSTEM AFTER TESTING PERFORMANCE ON AN ACTUAL APPLICATION FOR WHICH SYSTEM WAS DESIGNED.

MICO, INC. CLAIMS PROPRIETARY RIGHTS TO THE MATERIAL DISCLOSED IN THIS DOCUMENT. THIS DOCUMENT IS PROVIDED IN CONFIDENCE AND MAY NOT BE REPRODUCED OR DISCLOSED WITHOUT WRITTEN PERMISSION FROM MICO, INC. COPYRIGHT MICO, INC. ALL RIGHTS RESERVED.

TITLE		MASTER CYLINDER	
SCALE	CHECKED	PART NUMBER	REV
1=2	SH	04-020-084	B
DRN MAP	APP ENG	CUSTOMER COPY	
2-Apr-02	Jc		