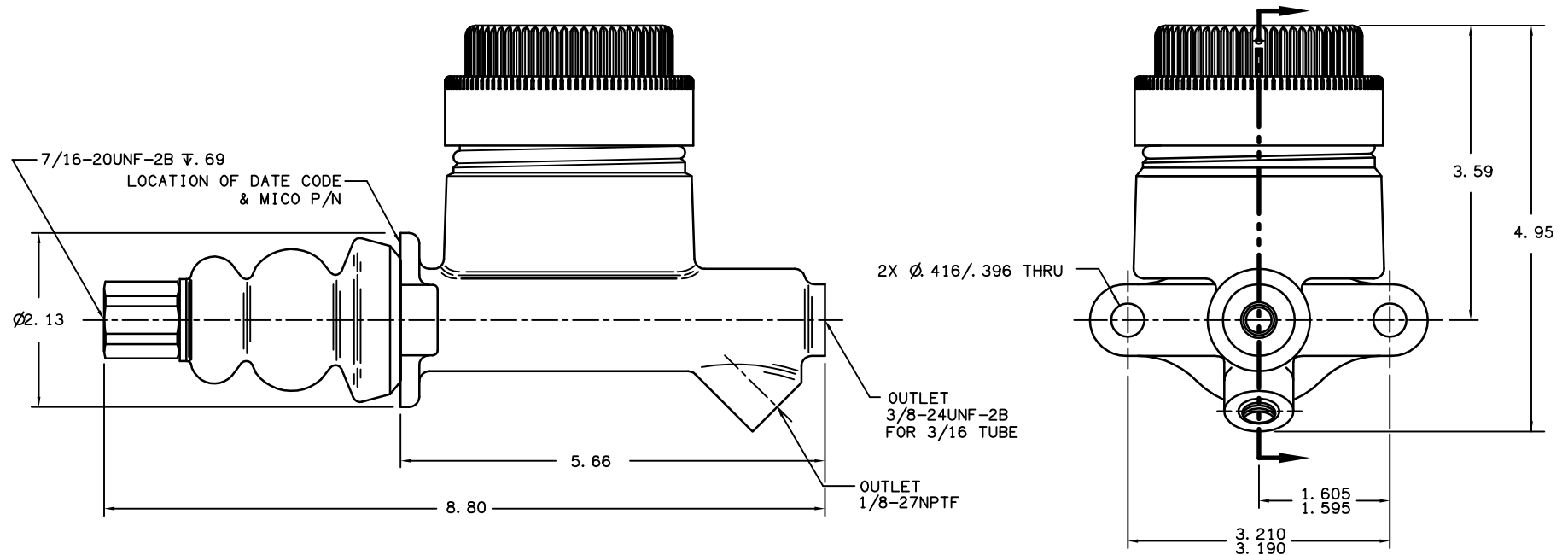


| |
|----------------|
| PART NUMBER |
| 04-020-097 |
| NPI OR ECN NO. |
| ECN B000906 |



NOTES:

- FOR USE WITH DOT 3, 4 OR 5 BRAKE FLUID ONLY.
- DIMENSIONS MAY VARY SLIGHTLY BETWEEN UNITS AND ARE TO BE USED FOR REFERENCE PURPOSES ONLY.
- WHEN CHECK VALVE AND SEAT ARE REMOVED THE PART NUMBER IS 04-021-097.
- PUSH ROD & BOOT MAY BE SHIPPED UNASSEMBLED TO CYLINDER.
- REPAIR KIT 04-001-025.

PERFORMANCE CHARACTERISTICS:

- BORE - .88 DIA., STROKE - 1.44 IN.

COMPONENT AND SYSTEM RECOMMENDATIONS MADE BY MICO, INC. ARE BASED ON INFORMATION SUPPLIED BY POTENTIAL USER AND/OR SYSTEM DESIGNER. THE POTENTIAL USER AND/OR DESIGNER MUST MAKE FINAL ACCEPTANCE AND APPROVAL OF COMPONENTS AND SYSTEM AFTER TESTING PERFORMANCE ON AN ACTUAL APPLICATION FOR WHICH SYSTEM WAS DESIGNED.

MICO, INC. CLAIMS PROPRIETARY RIGHTS TO THE MATERIAL DISCLOSED IN THIS DOCUMENT. THIS DOCUMENT IS PROVIDED IN CONFIDENCE AND MAY NOT BE REPRODUCED OR DISCLOSED WITHOUT WRITTEN PERMISSION FROM MICO, INC. COPYRIGHT MICO, INC. ALL RIGHTS RESERVED.



| | | | |
|-----------------|----------------|---------------|-----|
| TITLE | | | |
| MASTER CYLINDER | | | |
| SCALE | CHECKED | PART NUMBER | REV |
| NONE | DPD 2009-11-10 | 04-020-097 | E |
| DRN MAP | APP ENG | CUSTOMER COPY | |
| 2009-11-10 | BSW 2009-11-10 | | |