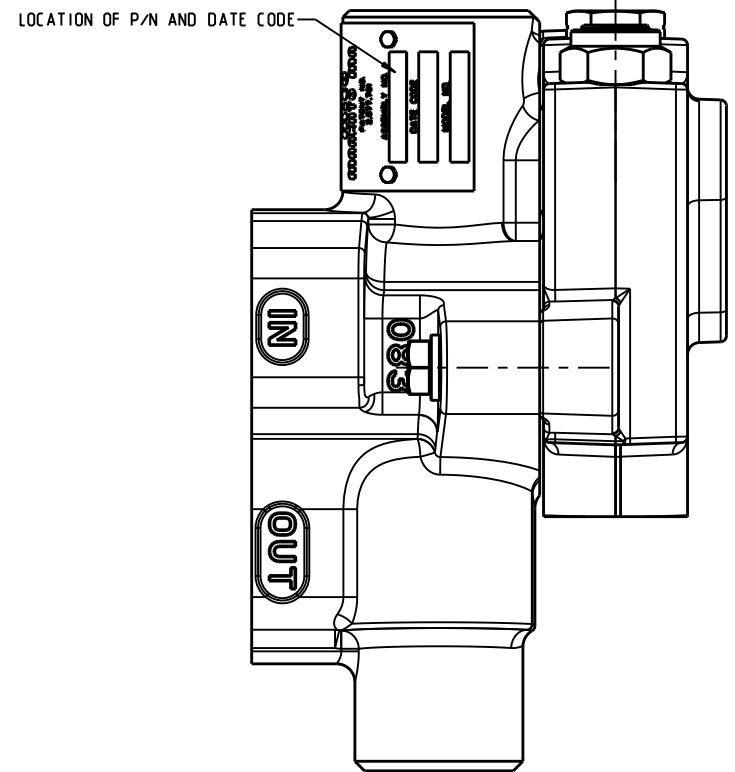
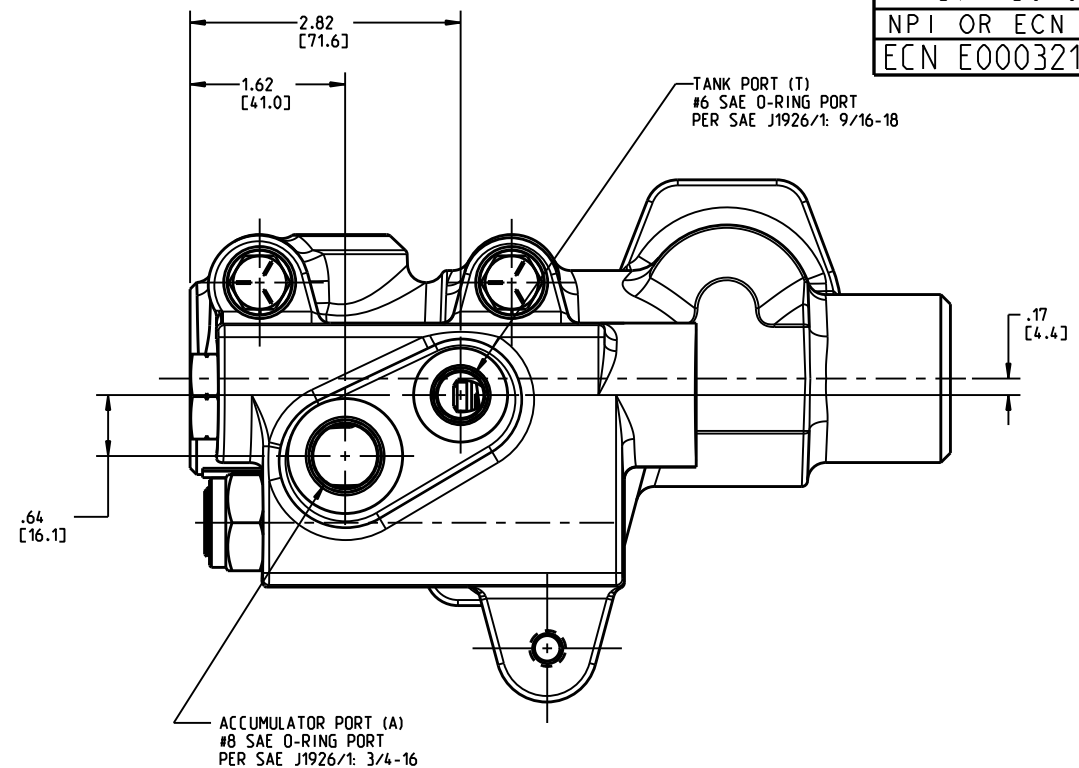
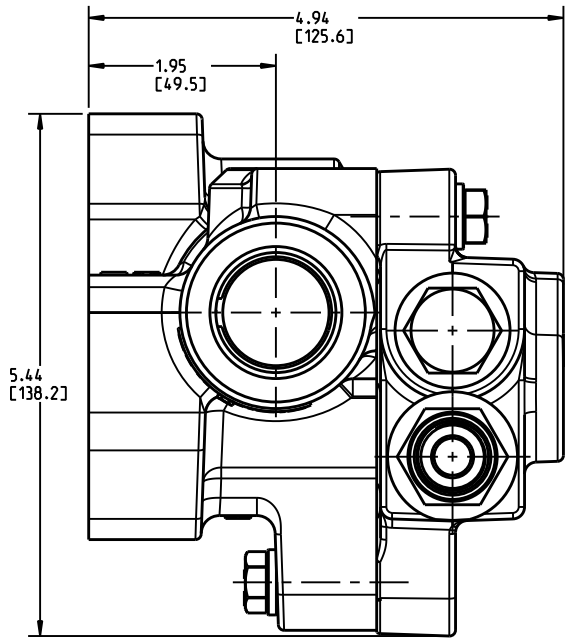
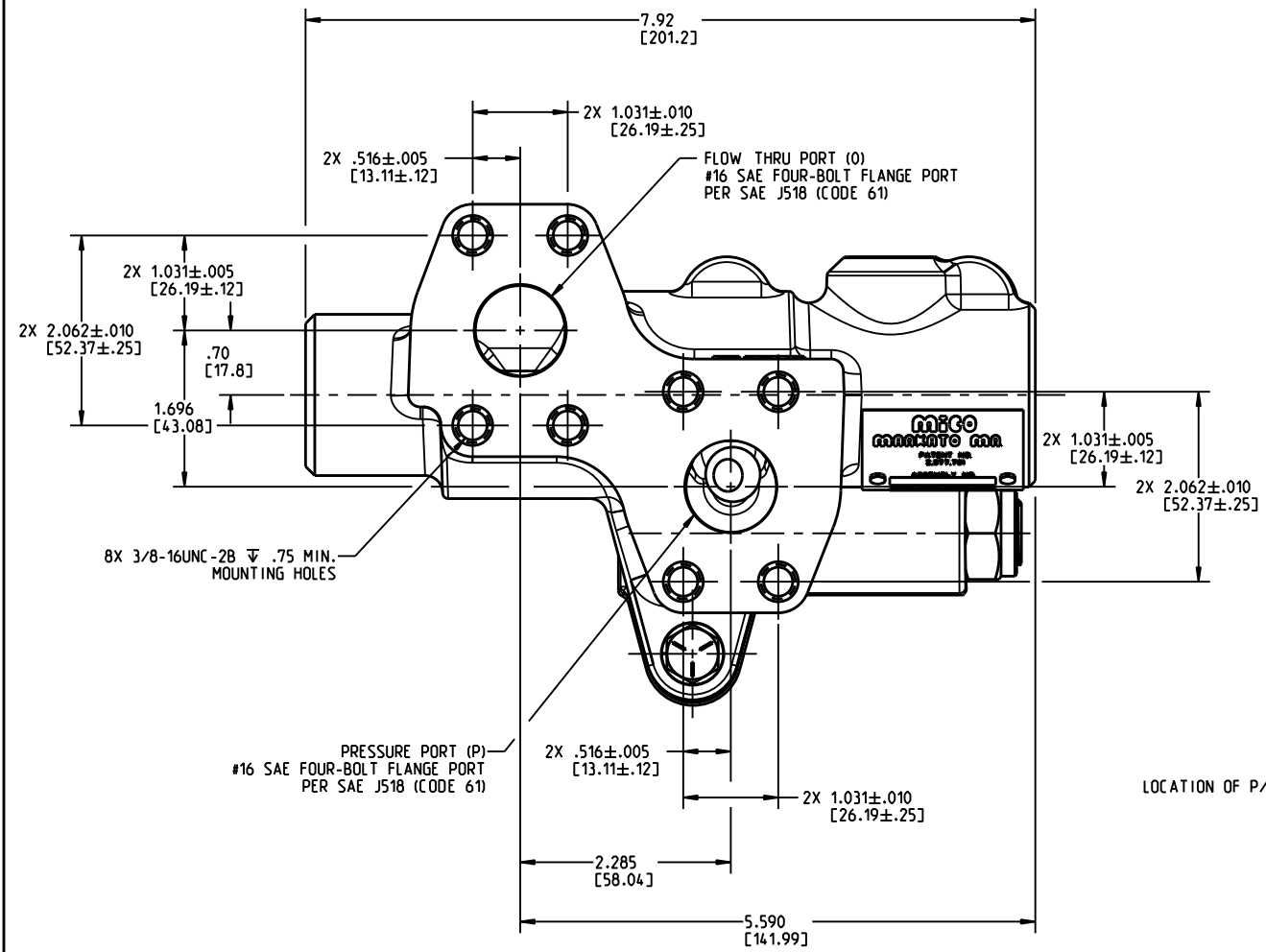
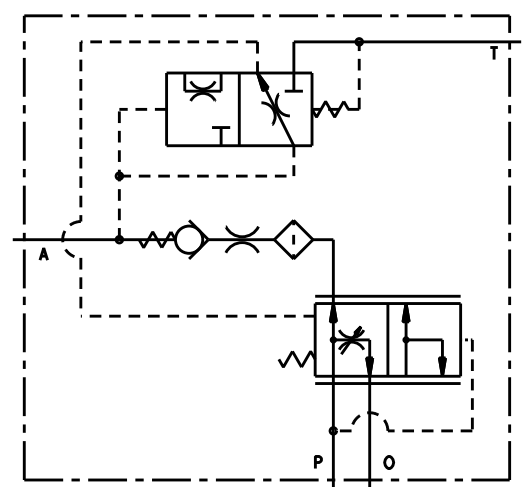


DRAWING NUMBER  
89-460-004  
NPI OR ECN NO  
ECN E000321



INCH  
[MILLIMETER]



**NOTES:**

- FOR USE WITH MINERAL BASE HYDRAULIC OIL ONLY.
- DIMENSIONS MAY VARY BETWEEN UNITS AND ARE FOR REFERENCE PURPOSES ONLY. MILLIMETER VALUES MAY NOT BE AN EXACT CONVERSION OF INCH VALUES.
- REPAIR KIT P/N: (SEE CHART)
- SURFACE COATING: OLIVE DRAB PRIMER PER DOD-P-15328 SPECIFICATION.
- MATING MANIFOLD SURFACE TO BE FLAT WITHIN .0004.

**PERFORMANCE CHARACTERISTICS:**

- RECOMMENDED SYSTEM FLOW IS 2 TO 65 GPM [8 TO 246 LPM].
- FLOW THRU PRESSURE DROP IS APPROXIMATELY 40 PSI [3 BAR] AT 65 GPM [246 LPM] WITH 14 CENTISTOKE OIL.
- INTERNAL FILTRATION IS 54 MICRON OR BETTER.
- EXTERNAL FILTRATION OF 10 MICRON OR BETTER IS RECOMMENDED.

PART NUMBER	DESCRIPTION	REVISION	SYSTEM RELIEF VALVE (PSI [bar])	ACCUMULATOR CHARGING LOW LIMIT (PSI [bar])	ACCUMULATOR CHARGING HIGH LIMIT (PSI [bar])	ACCUMULATOR CHARGE RATE (GPM [LPM])	REPAIR KIT
06-460-202	ACV-SM025-148-178-10	B	2900±100 [199.9±6.9]	2150±50 [148.2±3.4]	2575±25 [177.5±1.7]	2.6±0.6 [9.8±2.3]	06-400-102
06-460-230	ACV-SM025-124-152-10	L	2700±300 [186.2±20.7]	1800±50 [124.1±3.4]	2200±25 [151.7±1.7]	2.6±0.6 [9.8±2.3]	06-400-084
06-460-240	ACV-SM025-131-159-10	E	2750±250 [189.6±17.2]	1900±50 [131.0±3.4]	2300±25 [158.6±1.7]	2.6±0.6 [9.8±2.3]	06-400-087
06-460-272	ACV-SM025-148-178-10	C	2888±113 [199.1±7.8]	2150±50 [148.2±3.4]	2575±25 [177.5±1.7]	2.6±0.6 [9.8±2.3]	06-400-102



COMPONENT AND SYSTEM RECOMMENDATIONS MADE BY MICO, INC ARE BASED ON INFORMATION SUPPLIED BY POTENTIAL USER AND/OR SYSTEM DESIGNER. THE POTENTIAL USER AND/OR DESIGNER MUST MAKE FINAL ACCEPTANCE AND APPROVAL OF COMPONENTS AND SYSTEM AFTER TESTING PERFORMANCE ON AN ACTUAL APPLICATION FOR WHICH SYSTEM WAS DESIGNED.

MICO, INC CLAIMS PROPRIETARY RIGHTS TO THE MATERIAL DISCLOSED IN THIS DOCUMENT. THIS DOCUMENT IS PROVIDED IN CONFIDENCE AND MAY NOT BE REPRODUCED OR DISCLOSED WITHOUT WRITTEN PERMISSION FROM MICO, INC. COPYRIGHT MICO, INC. ALL RIGHTS RESERVED.

SCALE 0.500	TITLE ACV-SM025		
DWN JJH 2010-03-18	APVD PROD ENGRG DPD 2010-05-18	SIZE B	DRAWING NUMBER 89-460-004
X NO SEE CHART	APVD ENGRG PWB 2010-04-13	REV A	CUSTOMER COPY