

D

D

C

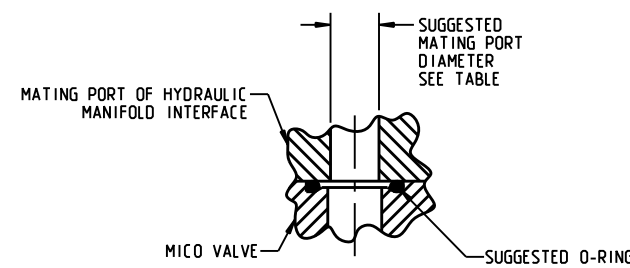
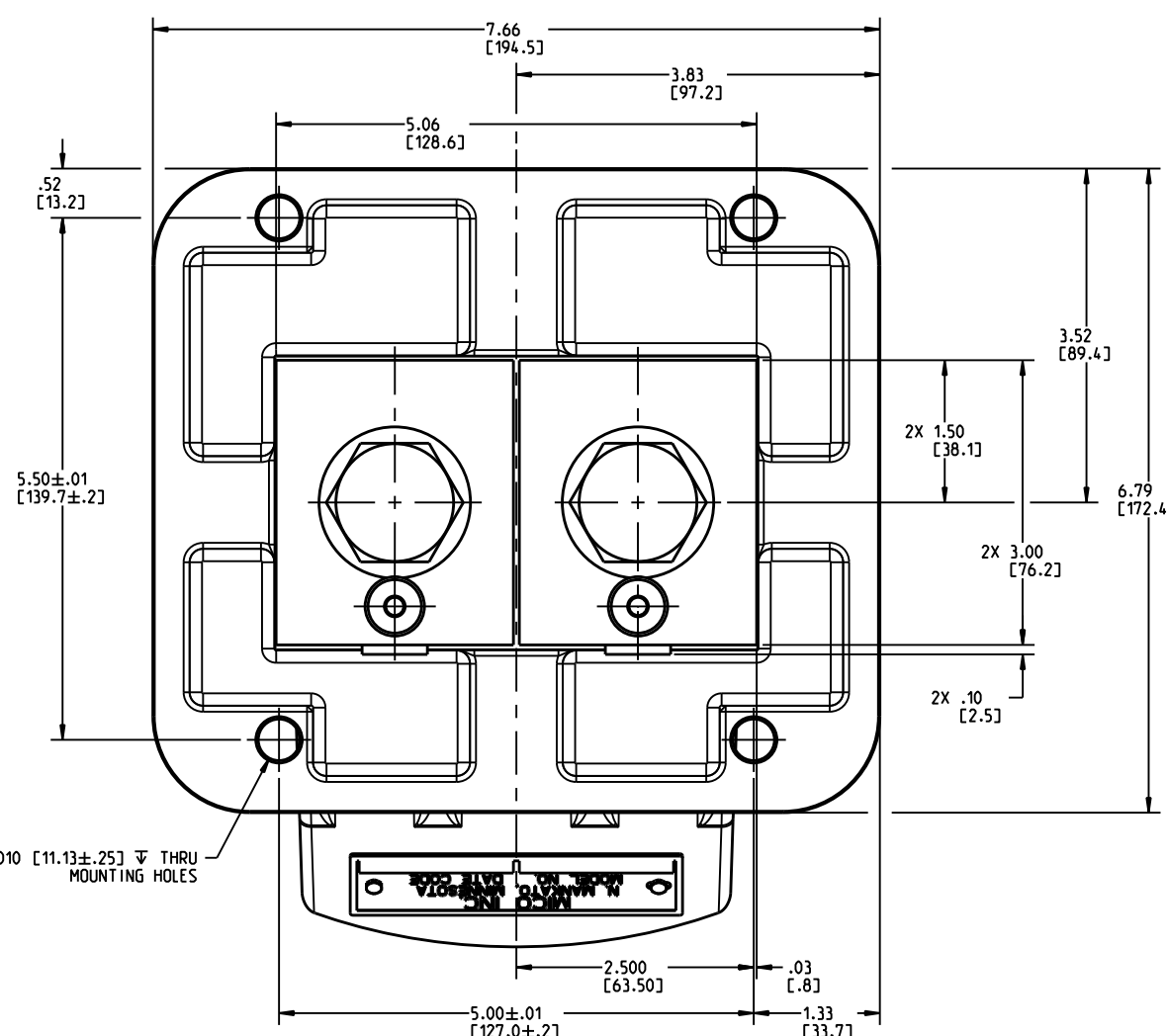
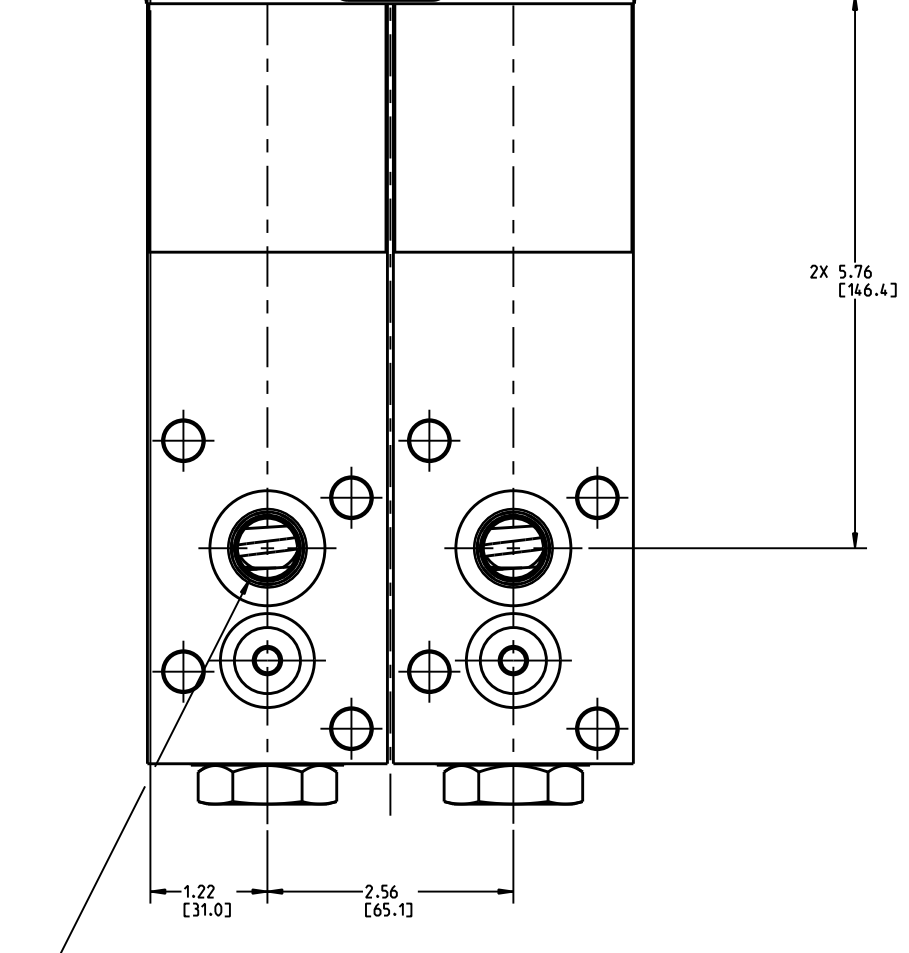
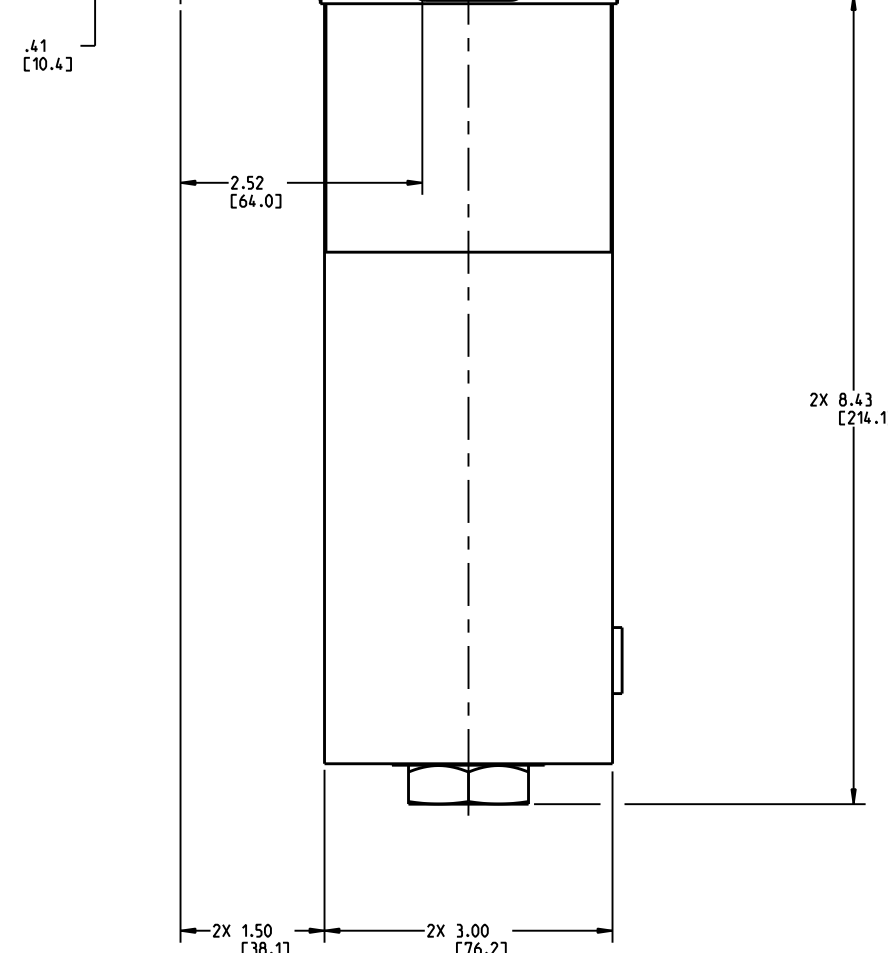
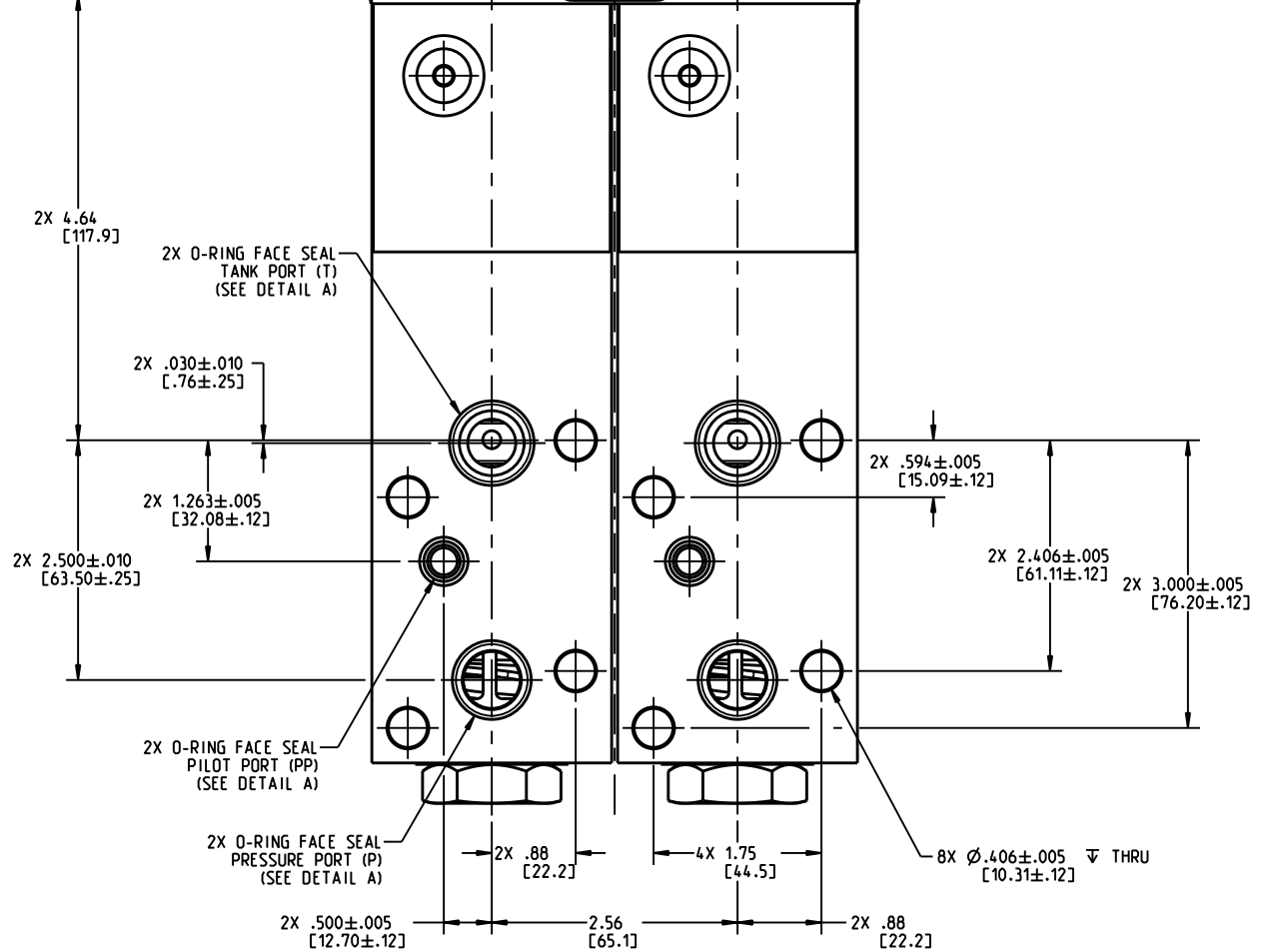
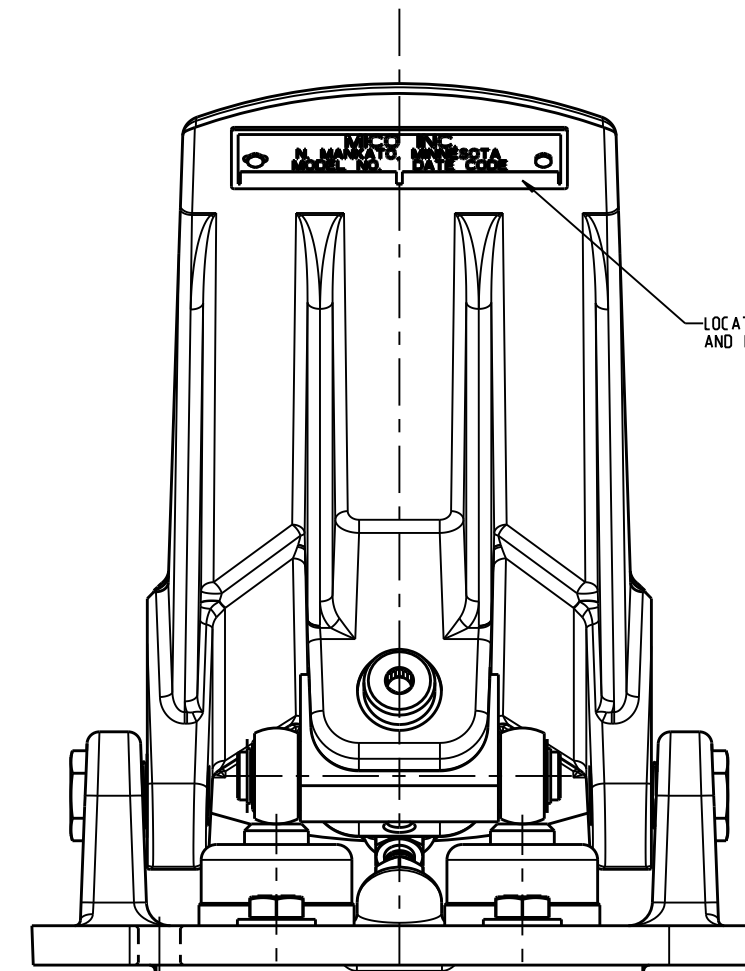
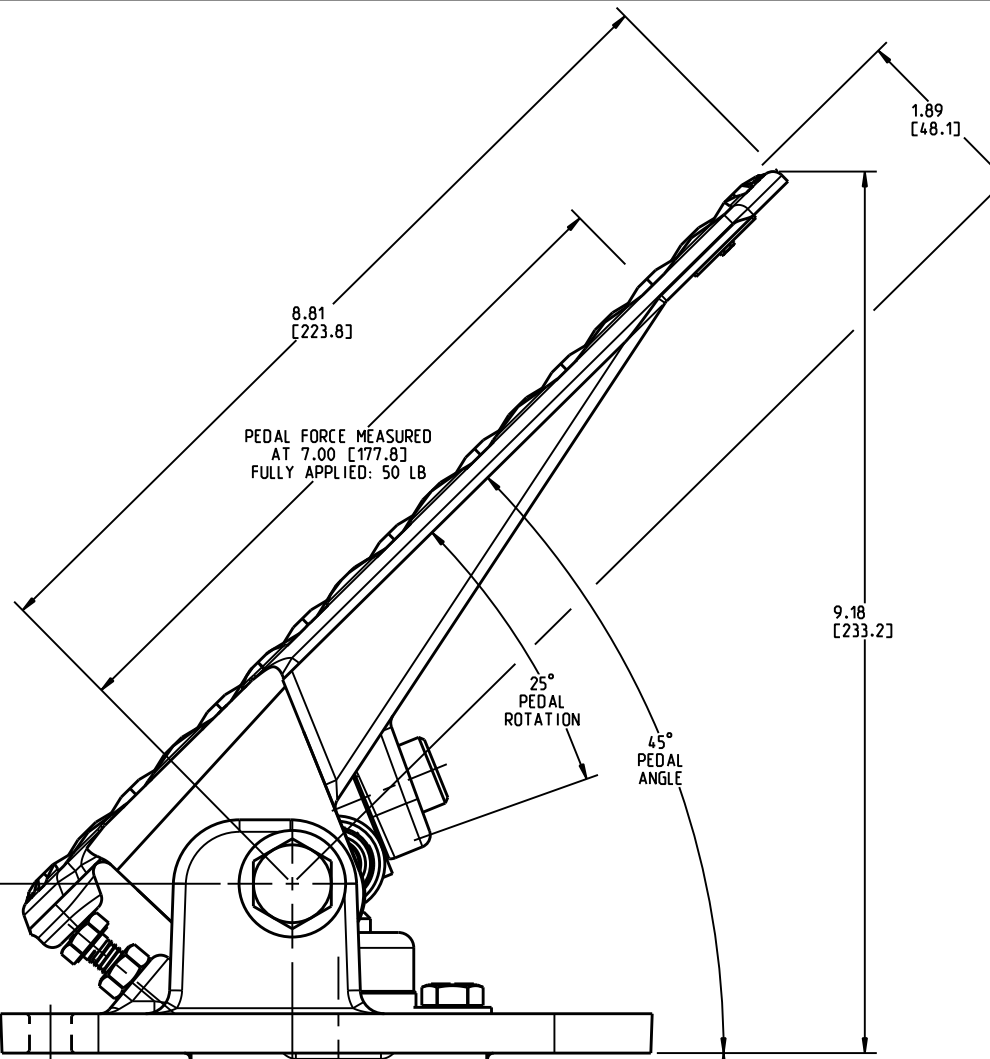
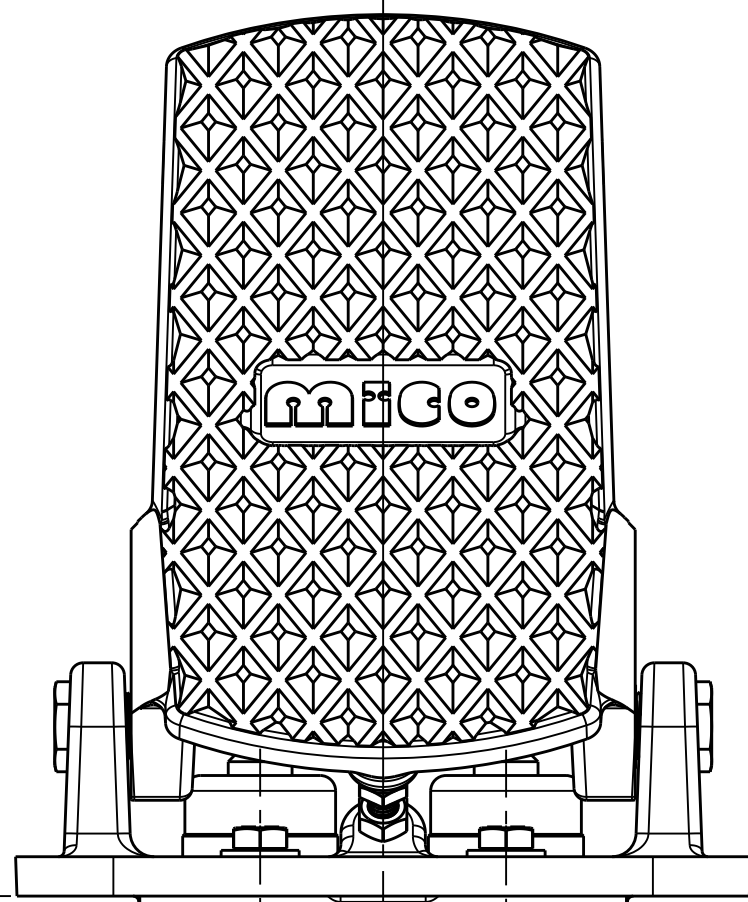
C

B

B

A

A



**DETAIL A**  
SCALE 1.00

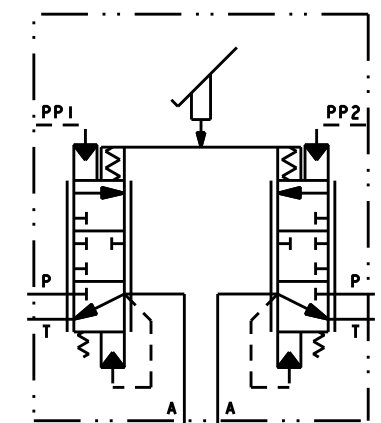
PORT	SUGGESTED MATING PORT DIAMETER	SUGGESTED O-RING SIZE (INCH)
PRESSURE (P)	Ø .50 [12.7]	3/32 X 5/8 X 13/16
PILOT (PP)	Ø .25 [6.3]	1/16 X 3/8 X 1/2
TANK (T)	Ø .50 [12.7]	3/32 X 5/8 X 13/16

**NOTES:**

1. TO BE USED WITH MINERAL BASE HYDRAULIC OIL ONLY.
2. DIMENSIONS WITHOUT TOLERANCE MAY VARY BETWEEN UNITS AND ARE TO BE USED FOR REFERENCE PURPOSES ONLY. MILLIMETER VALUES MAY NOT BE AN EXACT CONVERSION OF INCH VALUES.
3. VALVE ASSEMBLY P/N 20-100-370 (QTY 2).
4. VALVE REPAIR KIT P/N 06-400-120.
5. PEDAL AND BASE ASSEMBLY P/N 28-910-014.

**PERFORMANCE CHARACTERISTICS:**

1. BRAKE PRESSURE SETTING IS 1350 ± 75 PSI WITH 2400 PSI INLET PRESSURE AND 15 CSI OIL VISCOSITY.
2. A MINIMUM PILOT PRESSURE OF 700 PSI IS REQUIRED TO FULLY APPLY EACH VALVE.
3. MAXIMUM INLET PRESSURE IS 3000 PSI.
4. OPERATING TEMPERATURE RANGE: -40 TO 225 °F



**INCH  
(MILLIMETER)**



COMPONENT AND SYSTEM RECOMMENDATIONS MADE BY MICO, INC ARE BASED ON INFORMATION SUPPLIED BY POTENTIAL USER AND/OR SYSTEM DESIGNER. THE POTENTIAL USER AND/OR DESIGNER MUST MAKE FINAL ACCEPTANCE AND APPROVAL OF COMPONENTS AND SYSTEM AFTER TESTING PERFORMANCE ON AN ACTUAL APPLICATION FOR WHICH SYSTEM WAS DESIGNED.

MICO, INC CLAIMS PROPRIETARY RIGHTS TO THE MATERIAL DISCLOSED IN THIS DOCUMENT. THIS DOCUMENT IS PROVIDED IN CONFIDENCE AND MAY NOT BE REPRODUCED OR DISCLOSED WITHOUT WRITTEN PERMISSION FROM MICO, INC. COPYRIGHT MICO, INC. ALL RIGHTS RESERVED.

SCALE	TITLE	SIZE	DRAWING NUMBER	REV
0.500	PEDAL ACTUATOR			
DWN MAP 2012-02-02	APVD PROD ENGR	C	06-460-408	E
X NO	APVD ENGR		CUSTOMER COPY	

4

3

2

1