

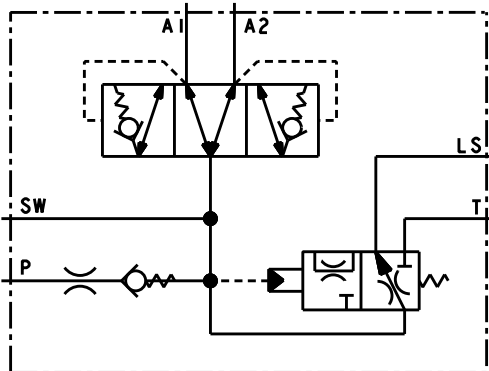
INCH
[MILLIMETER]

NOTES:

- 1) FOR USE WITH MINERAL BASE HYDRAULIC OIL ONLY.
- 2) DIMENSIONS MAY VARY SLIGHTLY BETWEEN UNITS AND ARE FOR REFERENCE PURPOSES ONLY. MILLIMETER VALUES MAY NOT BE AN EXACT CONVERSION OF INCH VALUES.
- 3) CHARGE VALVE REPAIR KIT P/N 06-400-316.
- 4) SURFACE COATING: BLACK PAINT

PERFORMANCE CHARACTERISTICS:

- 1) SYSTEM RELIEF VALVE MUST BE SET TO 3000±50 PSI [206.8±3.4 bar].
- 2) ACCUMULATOR CHARGING LIMITS ARE SET AT 2400±50 PSI [165.5±3.4 bar] LOW LIMIT TO 2700±50 PSI [186.2±3.4 bar] HIGH LIMIT.
- 3) ACCUMULATOR CHARGE RATE IS 1.5±0.5 GPM [5.7±1.9 LPM] WITH AN OPERATING MARGIN OF 220 PSI [15.2 bar] AND WILL CHANGE PROPORTIONALLY WITH CHANGES IN OPERATING MARGIN.
- 4) OPERATING TEMPERATURE RANGE: -40 TO 230 °F [-40 TO 110 °C]
- 5) OPERATING VISCOSITY RANGE: 7 TO 2000 cSt
- 6) EXTERNAL FILTRATION OF 10 MICRON OR BETTER IS REQUIRED.



COMPONENT AND SYSTEM RECOMMENDATIONS MADE BY MICO, INC ARE BASED ON INFORMATION SUPPLIED BY POTENTIAL USER AND/OR SYSTEM DESIGNER. THE POTENTIAL USER AND/OR DESIGNER MUST MAKE FINAL ACCEPTANCE AND APPROVAL OF COMPONENTS AND SYSTEM AFTER TESTING PERFORMANCE ON AN ACTUAL APPLICATION FOR WHICH SYSTEM WAS DESIGNED.

MICO, INC CLAIMS PROPRIETARY RIGHTS TO THE MATERIAL DISCLOSED IN THIS DOCUMENT. THIS DOCUMENT IS PROVIDED IN CONFIDENCE AND MAY NOT BE REPRODUCED OR DISCLOSED WITHOUT WRITTEN PERMISSION FROM MICO, INC. COPYRIGHT MICO, INC. ALL RIGHTS RESERVED.



SCALE	TITLE			
0.500	ACV-DMN-LSB-166-186-6			
DWN ETM 2011-10-03	APVD PROD ENGRG DPD 2011-10-17	SIZE	DRAWING NUMBER	REV
X NO 07-1536	APVD ENGRG PWB 2011-10-04	A	06-463-166	D
			CUSTOMER COPY	1 3