

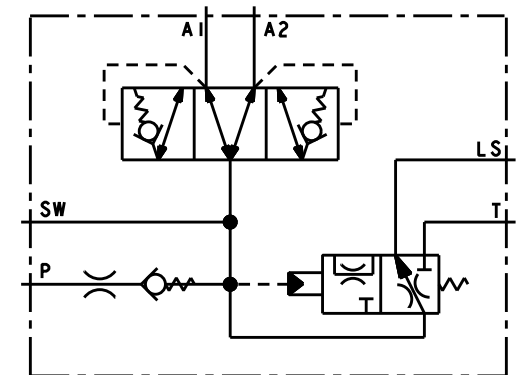
**NOTES:**

- 1) FOR USE WITH MINERAL BASE HYDRAULIC OIL ONLY.
- 2) DIMENSIONS MAY VARY BETWEEN UNITS AND ARE FOR REFERENCE PURPOSES ONLY. MILLIMETER VALUES MAY NOT BE AN EXACT CONVERSION OF INCH VALUES.
- 3) CHARGE VALVE REPAIR KIT P/N: 06-400-107.
- 4) SURFACE COATING: BLACK PAINT.

**PERFORMANCE CHARACTERISTICS:**

- 1) SYSTEM RELIEF VALVE NOT INCLUDED.
- 2)  $\nabla$  OPERATING MARGIN OF 220 PSI [15.2 bar]. ACCUMULATOR CHARGE RATE WILL CHANGE PROPORTIONALLY WITH CHANGES IN OPERATING MARGIN.
- 3) OPERATING TEMPERATURE RANGE: -40 TO 230 °F [-40 TO 110 °C]
- 4) OPERATING VISCOSITY RANGE: 7 TO 2000 cSt.
- 5) EXTERNAL FILTRATION OF 10 MICRON OR BETTER IS REQUIRED.
- 6) INGRESS PROTECTION EQUIVALENT TO IP67.

ALLOWABLE SYSTEM RELIEF VALVE PRESSURE (PSI [bar])	ACCUMULATOR CHARGING LOW LIMIT (PSI [bar])	ACCUMULATOR CHARGING HIGH LIMIT (PSI [bar])	ACCUMULATOR CHARGE RATE (GPM [LPM]) $\nabla$	PUMP MUST CONTAIN BLEED DOWN ORIFICE
3000±50 [206.8±3.4]	2200±50 [151.7±3.4]	2700±50 [186.2±3.4]	3.0±0.5 [11.4±1.9]	YES



**MICO**<sup>®</sup>

North Mankato, Minnesota USA

**INCH  
(MILLIMETER)**

COMPONENT AND SYSTEM RECOMMENDATIONS MADE BY MICO, INC ARE BASED ON INFORMATION SUPPLIED BY POTENTIAL USER AND/OR SYSTEM DESIGNER. THE POTENTIAL USER AND/OR DESIGNER MUST MAKE FINAL ACCEPTANCE AND APPROVAL OF COMPONENTS AND SYSTEM AFTER TESTING PERFORMANCE ON AN ACTUAL APPLICATION FOR WHICH SYSTEM WAS DESIGNED.

MICO, INC CLAIMS PROPRIETARY RIGHTS TO THE MATERIAL DISCLOSED IN THIS DOCUMENT. THIS DOCUMENT IS PROVIDED IN CONFIDENCE AND MAY NOT BE REPRODUCED OR DISCLOSED WITHOUT WRITTEN PERMISSION FROM MICO, INC. COPYRIGHT MICO, INC. ALL RIGHTS RESERVED.

SCALE	TITLE			
0.500	ACV-DMN-LS-152-186-11U			
DWN JJH 2012-06-01	APVD PROD ENGRG	SIZE	DRAWING NUMBER	REV
X NO 11-5029	APVD ENGRG PWB 2012-06-01	B	06-463-186	B 0 0
			CUSTOMER COPY	