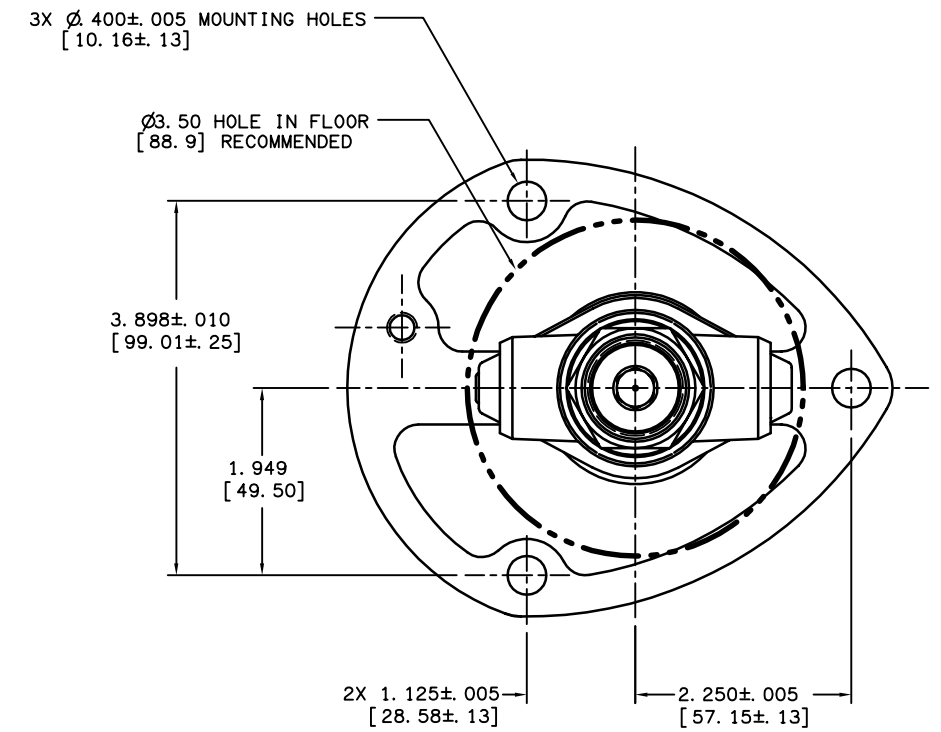
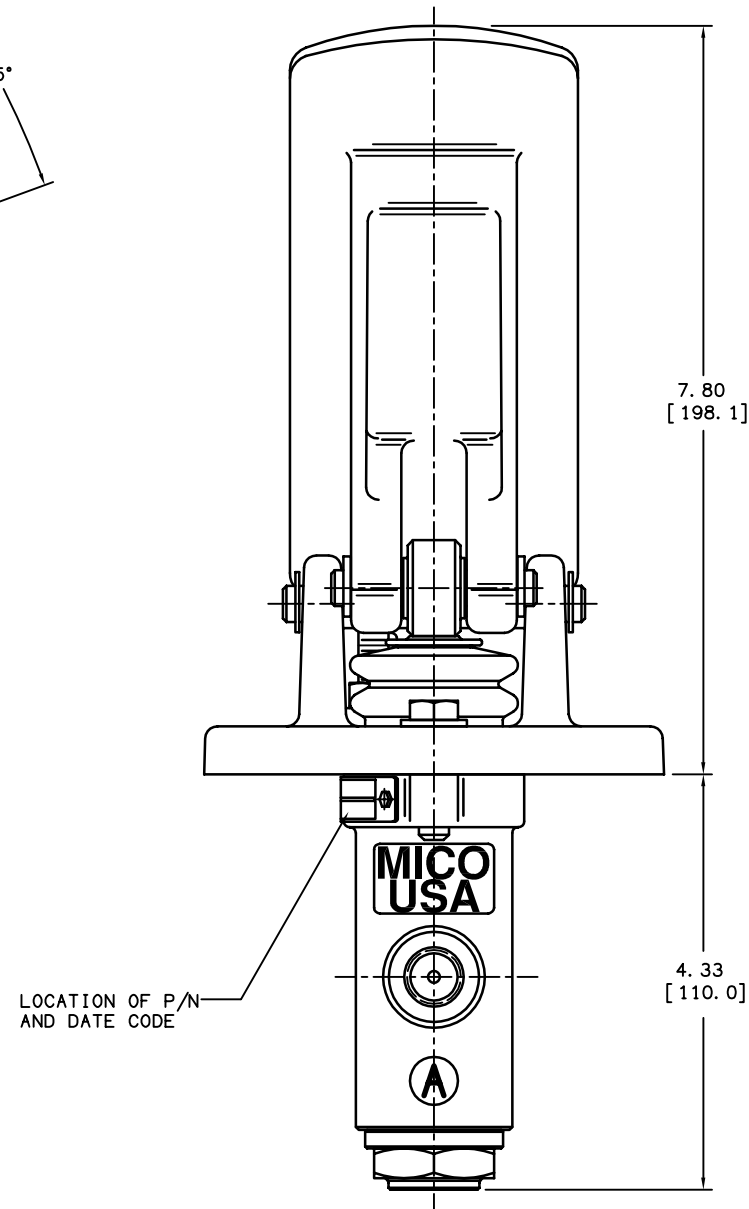
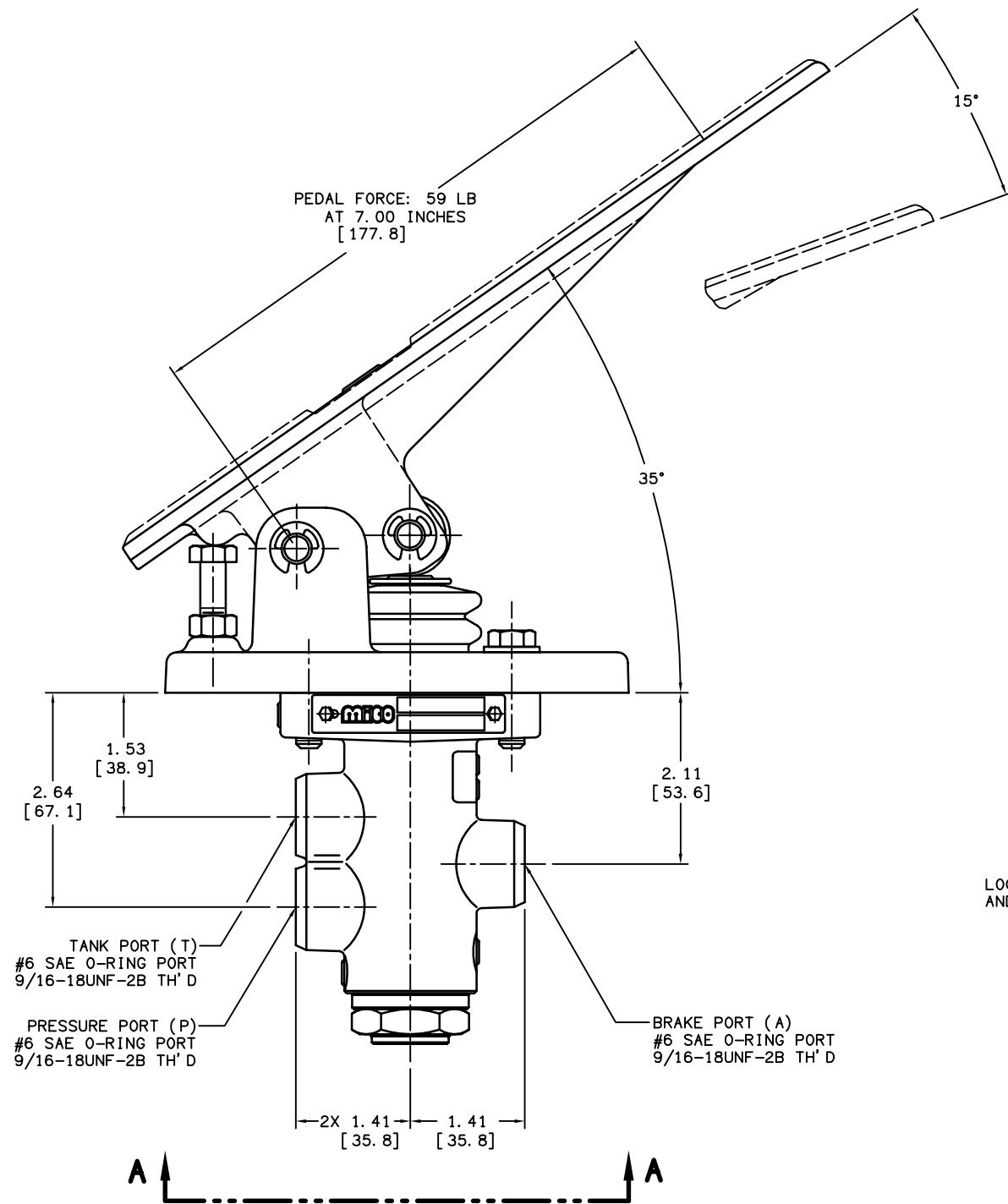
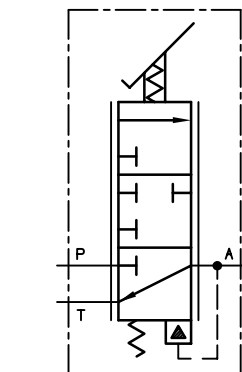


PART NUMBER
06-464-116
NPI OR ECN NO.
FLT/RAT ECN000073



VIEW A-A



**MICO
SINGLE
SLEEVE/SLEEVELESS
PEDAL VALVE**

NOTES:

- 1) TO BE USED WITH MINERAL BASE HYDRAULIC OIL ONLY.
- 2) DIMENSIONS MAY VARY SLIGHTLY BETWEEN UNITS AND ARE TO BE USED FOR REFERENCE PURPOSES ONLY.
- 3) PEDAL AND BASE ASSEMBLY P/N 29-910-019.
- 4) VALVE ASSEMBLY P/N 20-100-438.
- 5) REPAIR KIT P/N 06-400-108.

PERFORMANCE CHARACTERISTICS:

- 1) BRAKE PRESSURE SETTING IS 2300±75 PSI.

**INCH
[MILLIMETER]**



COMPONENT AND SYSTEM RECOMMENDATIONS MADE BY MICO, INC. ARE BASED ON INFORMATION SUPPLIED BY POTENTIAL USER AND/OR SYSTEM DESIGNER. THE POTENTIAL USER AND/OR DESIGNER MUST MAKE FINAL ACCEPTANCE AND APPROVAL OF COMPONENTS AND SYSTEM AFTER TESTING PERFORMANCE ON AN ACTUAL APPLICATION FOR WHICH SYSTEM WAS DESIGNED.		MICO, INC. CLAIMS PROPRIETARY RIGHTS TO THE MATERIAL DISCLOSED IN THIS DOCUMENT. THIS DOCUMENT IS PROVIDED IN CONFIDENCE AND MAY NOT BE REPRODUCED OR DISCLOSED WITHOUT WRITTEN PERMISSION FROM MICO, INC. COPYRIGHT MICO, INC. ALL RIGHTS RESERVED.	
TITLE PEDAL ACTUATED POWER BRAKE VALVE			
SCALE 1/2	CHECKED SH	PART NUMBER 06-464-116	REV B
DRN JWH 30-JAN-02	APP ENG BSW	CUSTOMER COPY	