

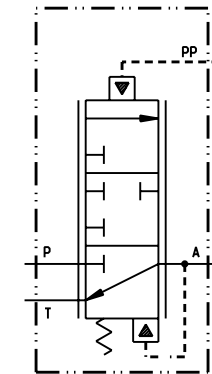
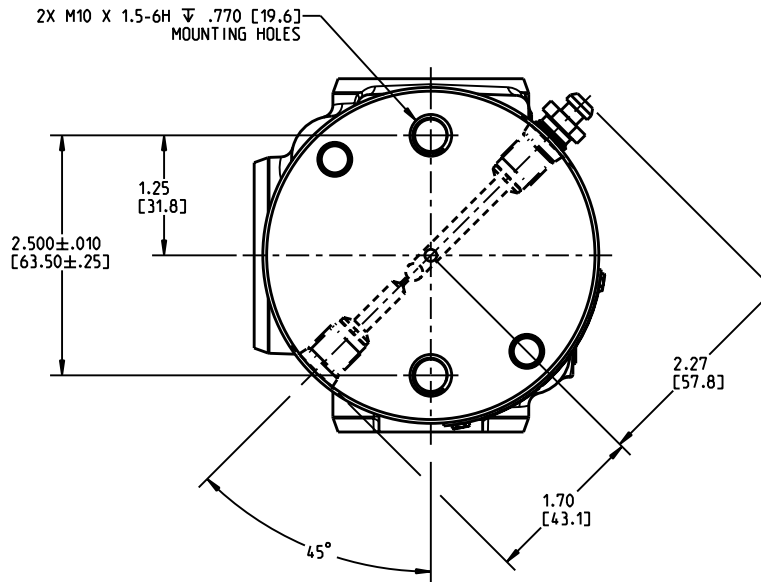
DRAWING NUMBER
06-466-965
NPI OR ECN NO
NPI A000229

NOTES:

- 1) FOR USE WITH MINERAL BASE HYDRAULIC OIL ONLY.
- 2) DIMENSIONS MAY VARY SLIGHTLY BETWEEN UNITS AND ARE FOR REFERENCE PURPOSES ONLY. MILLIMETER VALUES MAY NOT BE AN EXACT CONVERSION OF INCH VALUES.
- 3) REPAIR KIT P/N 06-400-196.
- 4) SURFACE FINISH: BLACK ENAMEL PAINT.

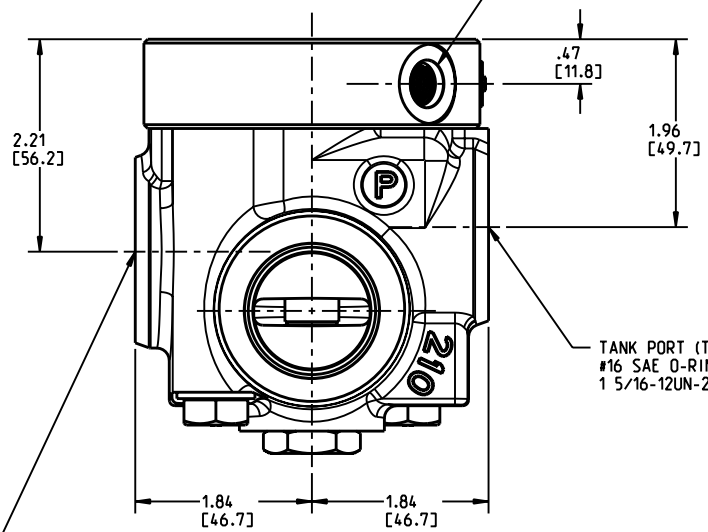
PERFORMANCE CHARACTERISTICS:

- 1) INPUT PRESSURE AT THE PILOT PORT WILL PRODUCE APPROXIMATELY 30 PSI LESS AT THE BRAKE PORT.



INCH
[MILLIMETER]

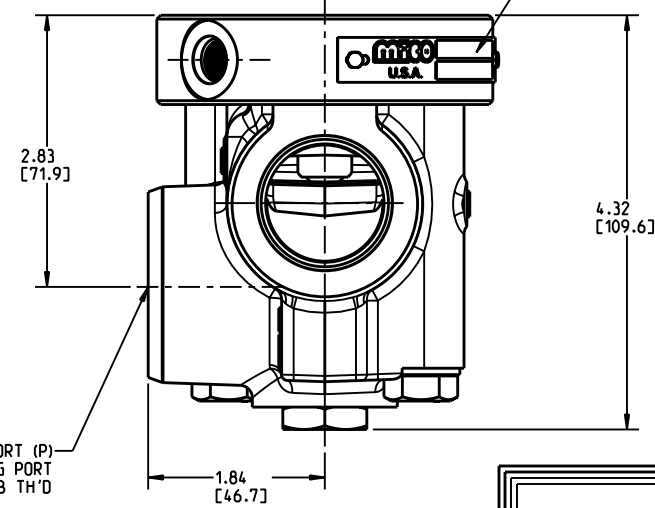
PILOT PORT (PP)
#4 SAE O-RING PORT
7/16-20UNF-2B TH'D



TANK PORT (T)
#16 SAE O-RING PORT
1 5/16-12UN-2B TH'D

BRAKE PORT (A)
#16 SAE O-RING PORT
1 5/16-12UN-2B TH'D

LOCATION OF P/N AND DATE CODE



PRESSURE PORT (P)
#16 SAE O-RING PORT
1 5/16-12UN-2B TH'D



COMPONENT AND SYSTEM RECOMMENDATIONS MADE BY MICO, INC ARE BASED ON INFORMATION SUPPLIED BY POTENTIAL USER AND/OR SYSTEM DESIGNER. THE POTENTIAL USER AND/OR DESIGNER MUST MAKE FINAL ACCEPTANCE AND APPROVAL OF COMPONENTS AND SYSTEM AFTER TESTING PERFORMANCE ON AN ACTUAL APPLICATION FOR WHICH SYSTEM WAS DESIGNED.

MICO, INC CLAIMS PROPRIETARY RIGHTS TO THE MATERIAL DISCLOSED IN THIS DOCUMENT. THIS DOCUMENT IS PROVIDED IN CONFIDENCE AND MAY NOT BE REPRODUCED OR DISCLOSED WITHOUT WRITTEN PERMISSION FROM MICO, INC. COPYRIGHT MICO, INC. ALL RIGHTS RESERVED.

SCALE 0.500		TITLE RELAY VALVE		
DWN ETM 02-Nov-06	APVD PROD ENGRG JK 03-NOV-2006	SIZE A	DRAWING NUMBER 06-466-965	REV A
X NO 06-1306	APVD ENGRG BSW 03-NOV-2006	CUSTOMER COPY		1 0