

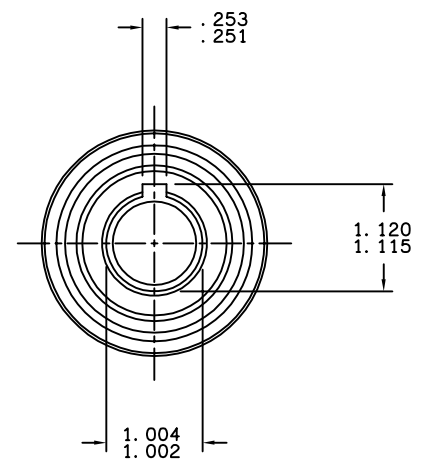
NOTES:

- 1) LINING REPAIR KIT P/N 12-501-245
- 2) BEARING REPAIR KIT P/N 12-501-241
- 3) O-RING REPAIR KIT P/N 12-501-246
- 4) SPRING REPAIR KIT P/N 12-501-244
- 5) REFER TO INSTALLATION SHEET #81-538-002 (SUPPLIED WITH BRAKE) FOR FURTHER MOUNTING INSTRUCTIONS.

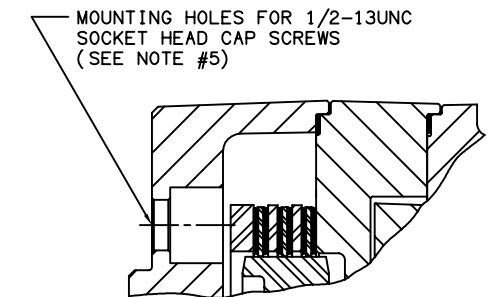
SPECIFICATIONS:

<u>TYPE:</u>	DRY MULTIPLE DISC BRAKE, SPRING APPLY, HYDRAULIC RELEASE
<u>TORQUE RATING:</u>	3,500 LB-IN STATIC (BREAKAWAY) AT 0 PSI BACK PRESSURE
<u>RELEASE PRESSURE:</u>	170 PSI INITIAL, 200 PSI FULL
<u>MAXIMUM OPERATING PRESSURE:</u>	3,000 PSI
<u>MAXIMUM SPEED:</u>	3,900 RPM
<u>LINING MATERIAL:</u>	SINTERED BRONZE
<u>APPROXIMATE WEIGHT:</u>	27 LBS.

FOR USE WITH MINERAL BASE HYDRAULIC OIL ONLY



VIEW A-A



SECTION B-B

MICO, INC. CLAIMS PROPRIETARY RIGHTS TO THE MATERIAL DISCLOSED IN THIS DOCUMENT. THIS DOCUMENT IS PROVIDED IN CONFIDENCE AND MAY NOT BE REPRODUCED OR DISCLOSED WITHOUT WRITTEN PERMISSION FROM MICO, INC. COPYRIGHT MICO, INC. ALL RIGHTS RESERVED.

mico North Mankato, Minnesota U.S.A.		
SCALE 1:2	PART NUMBER 13-538-026	REV. E
X NO.	CUSTOMER COPY	
DRAWN G.J.		
REVISED LH		
DATE 04/05/99	CHECKED	APPROVED ENG.