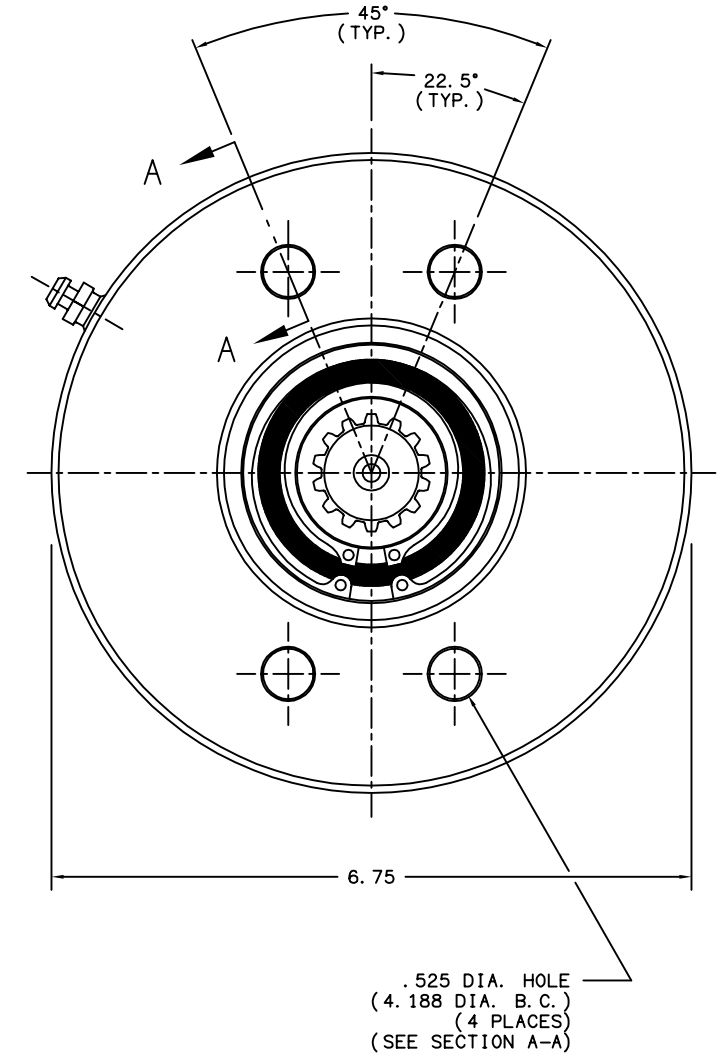
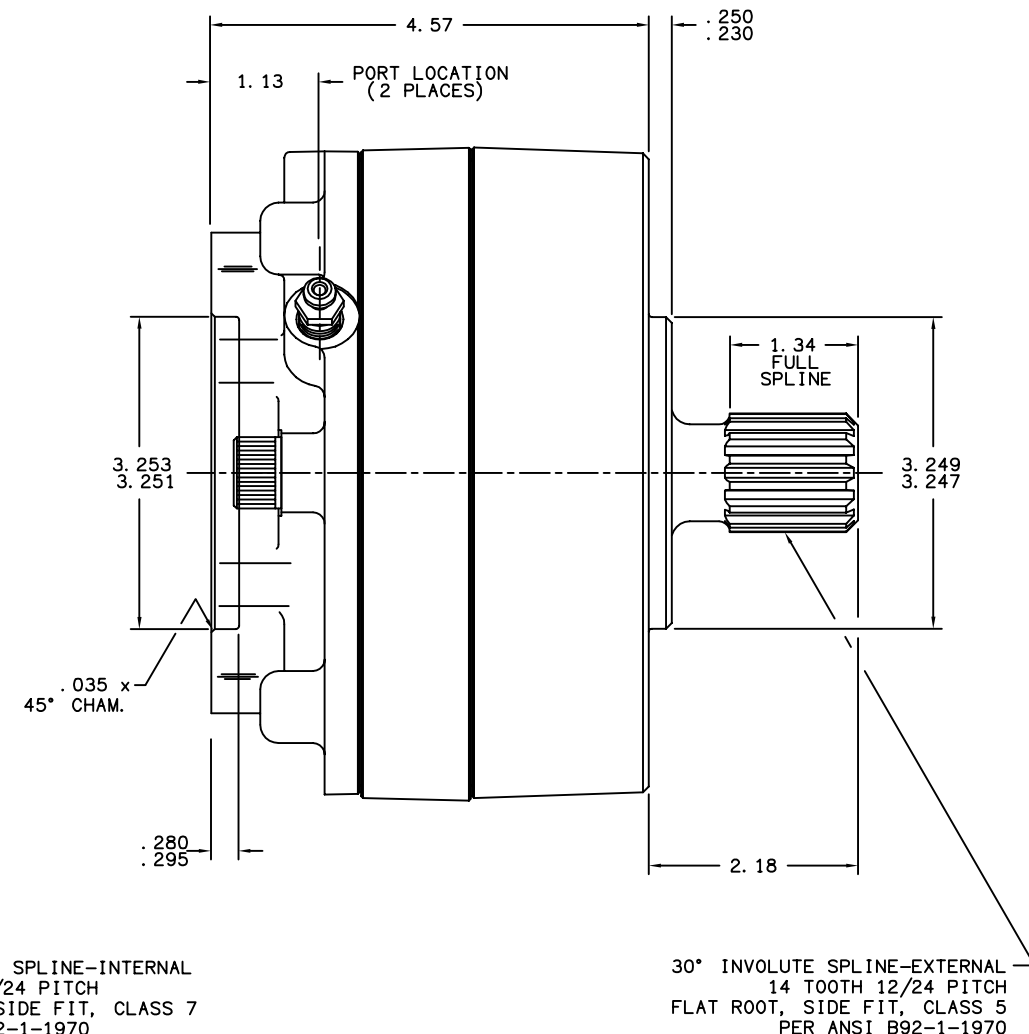
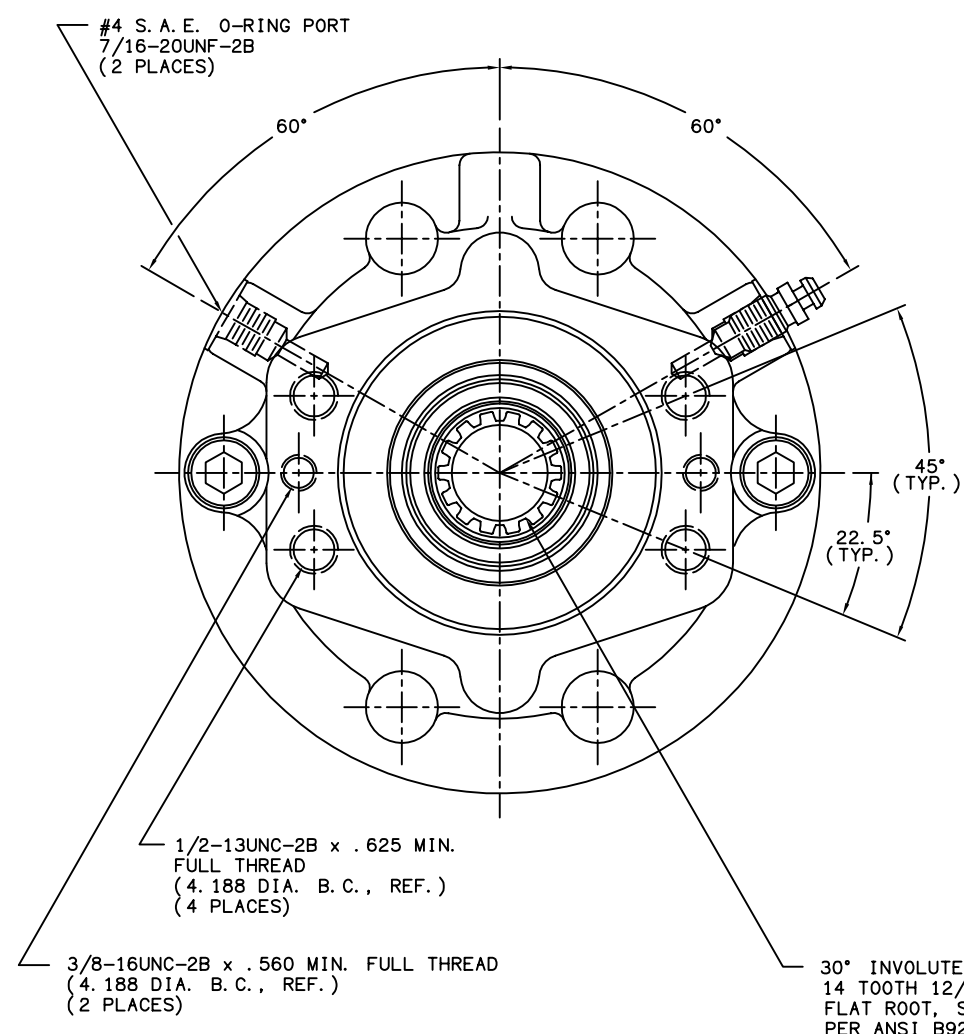


|  |                |                           |
|--|----------------|---------------------------|
| TITLE MULTIPLE DISC BRAKE<br>3M-141490-M |                | PART NUMBER<br>13-538-038 |
| REV.                                     | NPR OR ECO NO. | DATE                      |
| E  | ECO S-1729     | 05/22/03                  |



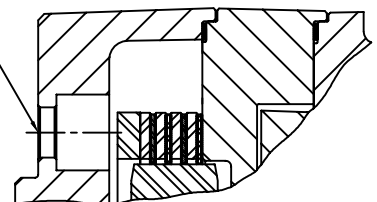
**NOTES:**

- 1) LINING REPAIR KIT P/N 12-501-243
- 2) BEARING REPAIR KIT P/N 12-501-242
- 3) O-RING REPAIR KIT P/N 12-501-246
- 4) SPRING REPAIR KIT P/N 12-501-244
- 5) REFER TO INSTALLATION SHEET #81-538-002 (SUPPLIED WITH BRAKE) FOR FURTHER MOUNTING INSTRUCTIONS.

**SPECIFICATIONS:**

|   |  |
|---|--|
| TYPE:   | DRY MULTIPLE DISC BRAKE, SPRING APPLY, HYDRAULIC RELEASE |
| TORQUE RATING:                                | 9,000 LB-IN STATIC (BREAKAWAY) AT 0 PSI BACK PRESSURE    |
| RELEASE PRESSURE:                             | 330 PSI INITIAL, 390 PSI FULL                            |
| MAXIMUM OPERATING PRESSURE:                   | 3,000 PSI  |
| MAXIMUM SPEED:                                | 3,900 RPM  |
| APPROXIMATE WEIGHT:                           |  |
| FOR USE WITH MINERAL BASED HYDRAULIC OIL ONLY |  |

MOUNTING HOLES FOR 1/2-13UNC  
SOCKET HEAD CAP SCREWS  
(SEE NOTE #5)



SECTION A-A

MICO, INC. CLAIMS PROPRIETARY RIGHTS TO THE MATERIAL DISCLOSED IN THIS DOCUMENT. THIS DOCUMENT IS PROVIDED IN CONFIDENCE AND MAY NOT BE REPRODUCED OR DISCLOSED WITHOUT WRITTEN PERMISSION FROM MICO, INC. COPYRIGHT MICO, INC. ALL RIGHTS RESERVED.

|             |               |                                 |          |
|-------------|---------------|---------------------------------|----------|
| <b>mico</b> |               | North Mankato, Minnesota U.S.A. |          |
| SCALE 1:2   | PART NUMBER   | REV.                            |          |
| X NO.       | 13-538-038    | E                               |          |
| DRAWN G.J.  | CUSTOMER COPY |                                 |          |
| REVISED LH  | DATE          | CHECKED                         | APPROVED |
|             | 12/03/98      |                                 | ENG.     |