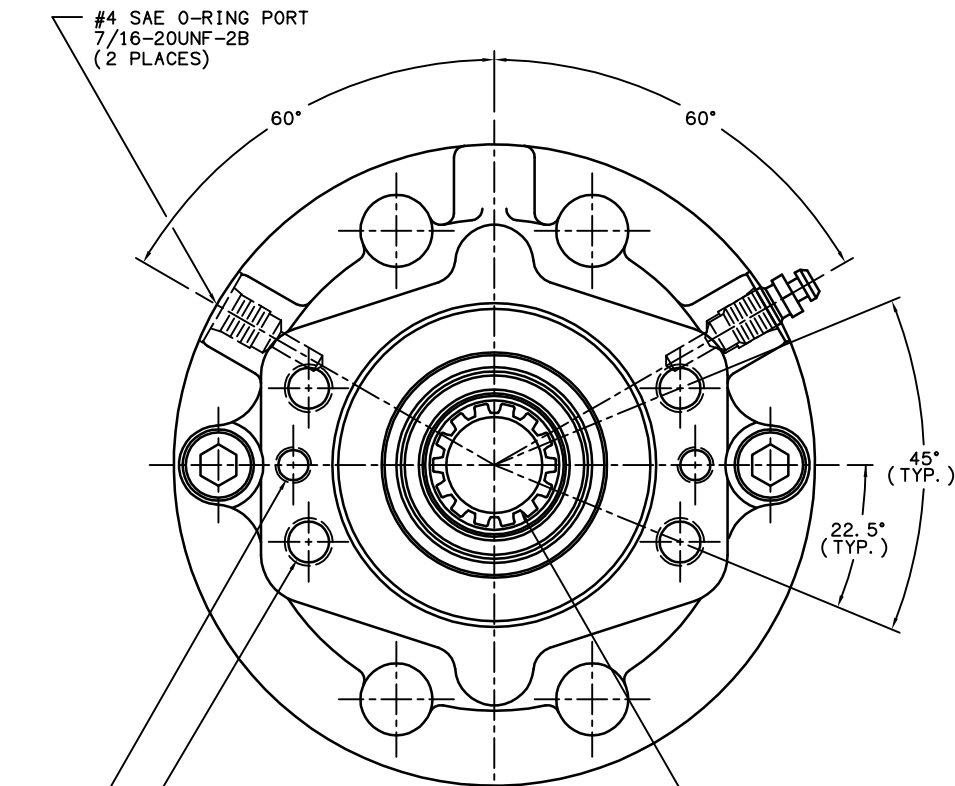


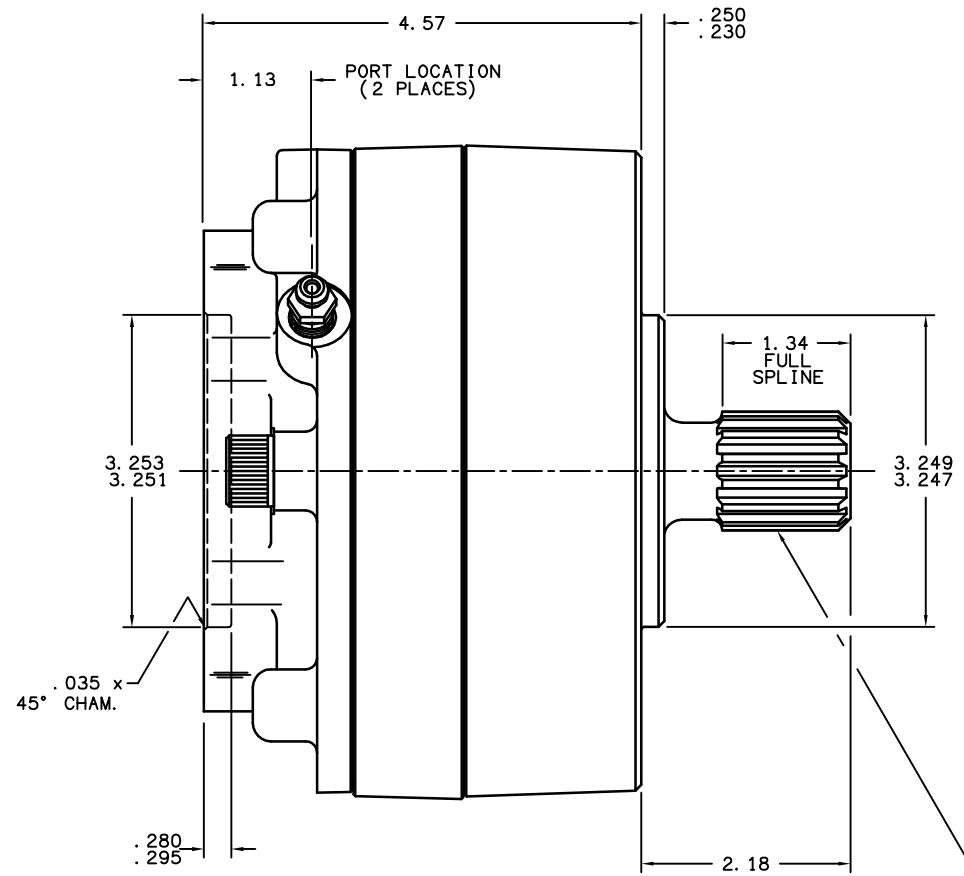
TITLE MULTIPLE DISC BRAKE 3A-141470-M		PART NUMBER 13-538-290
REV.	NPR OR ECO NO.	DATE
E	ECO S-1729	05/23/03



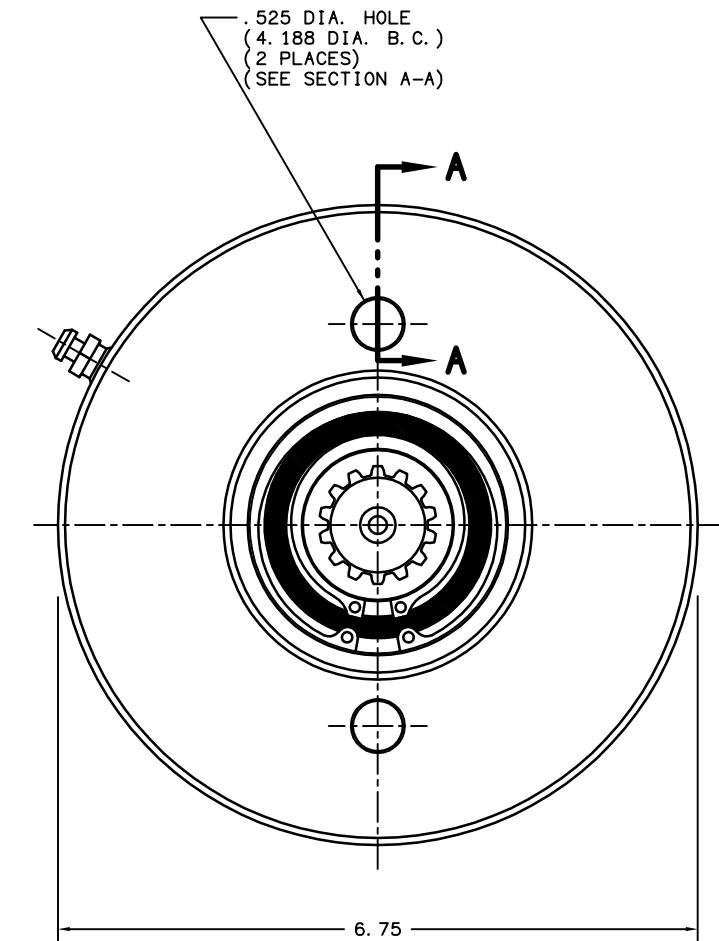
1/2-13UNC-2B x .625 MIN.  
FULL THREAD  
(4.188 DIA. B.C., REF.)  
(4 PLACES)

3/8-16UNC-2B x .560 MIN. FULL THREAD  
(4.188 DIA. B.C., REF.)  
(2 PLACES)

30° INVOLUTE SPLINE-INTERNAL  
14 TOOTH 12/24 PITCH  
FLAT ROOT, SIDE FIT, CLASS 7  
PER ANSI B92-1-1970



30° INVOLUTE SPLINE-EXTERNAL  
14 TOOTH 12/24 PITCH  
FLAT ROOT, SIDE FIT, CLASS 5  
PER ANSI B92-1-1970



**NOTES:**

- 1) LINING REPAIR KIT P/N 12-501-243
- 2) BEARING REPAIR KIT P/N 12-501-242
- 3) O-RING REPAIR KIT P/N 12-501-246
- 4) SPRING REPAIR KIT P/N 12-501-244
- 5) REFER TO INSTALLATION SHEET #81-538-002 (SUPPLIED WITH BRAKE) FOR FURTHER MOUNTING INSTRUCTIONS.

**SPECIFICATIONS:**

TYPE: DRY MULTIPLE DISC BRAKE, SPRING APPLY, HYDRAULIC RELEASE

TORQUE RATING: 7,000 LB-IN STATIC (BREAKAWAY) AT 0 PSI BACK PRESSURE

RELEASE PRESSURE: 250 PSI INITIAL, 300 PSI FULL

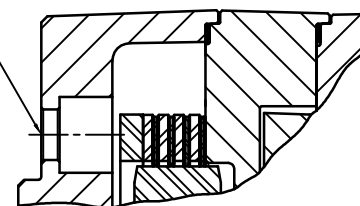
MAXIMUM OPERATING PRESSURE: 3,000 PSI

MAXIMUM SPEED: 3,900 RPM

APPROXIMATE WEIGHT: 27 LBS.

FOR USE WITH MINERAL BASE HYDRAULIC OIL ONLY

MOUNTING HOLES FOR 1/2-13UNC  
SOCKET HEAD CAP SCREWS  
(SEE NOTE #5)



**SECTION A-A**

MICO, INC. CLAIMS PROPRIETARY RIGHTS TO THE MATERIAL DISCLOSED IN THIS DOCUMENT. THIS DOCUMENT IS PROVIDED IN CONFIDENCE AND MAY NOT BE REPRODUCED OR DISCLOSED WITHOUT WRITTEN PERMISSION FROM MICO, INC. COPYRIGHT MICO, INC. ALL RIGHTS RESERVED.

<b>mico</b>		North Mankato, Minnesota U.S.A.	
SCALE 1:2	PART NUMBER	REV.	
X NO.	13-538-290	E	
DRAWN G.J.	CUSTOMER COPY		
REVISED LH			
DATE 12/03/98	CHECKED LH 09/19/03	APPROVED ENG. GAA 09/19/03	