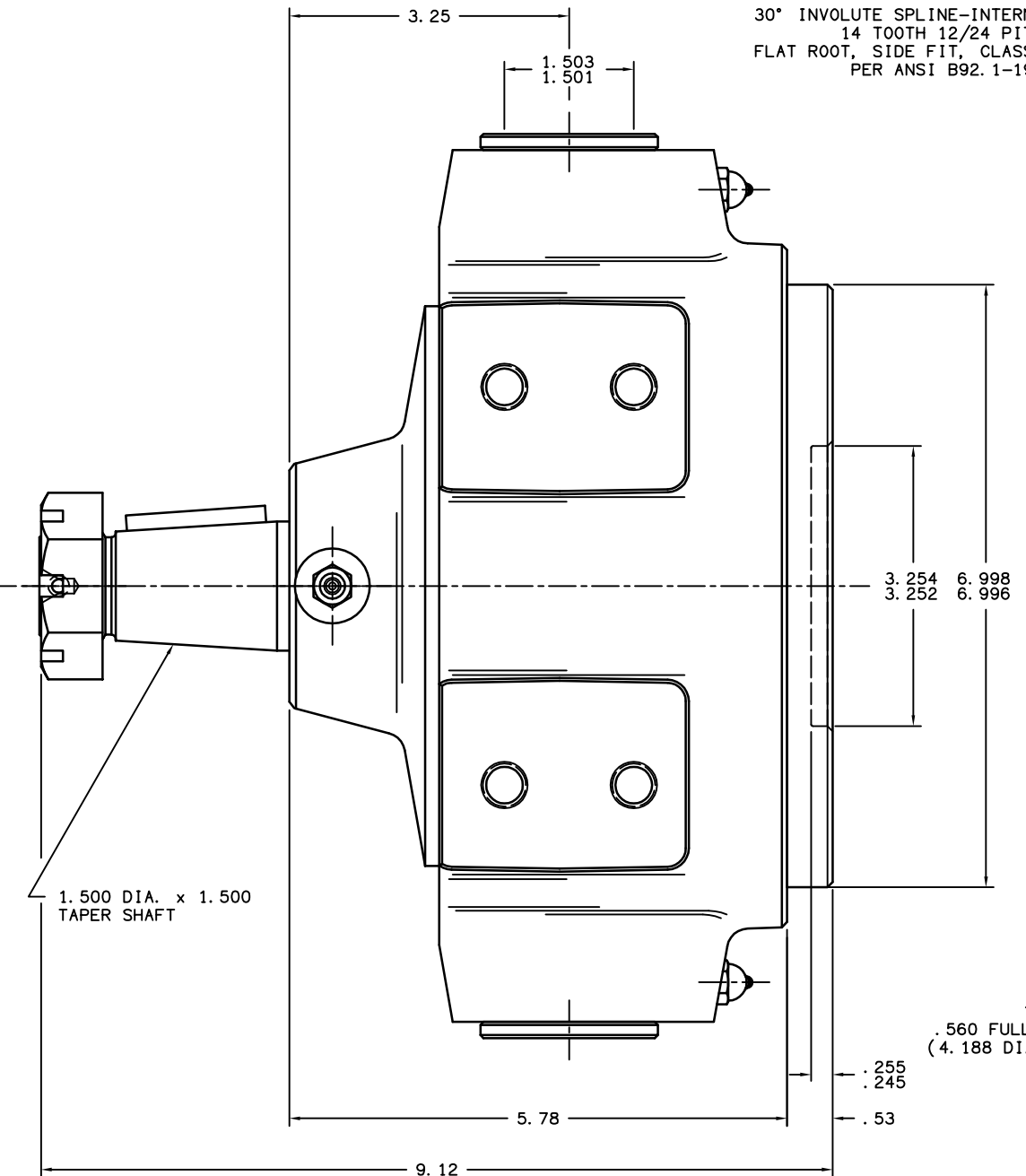
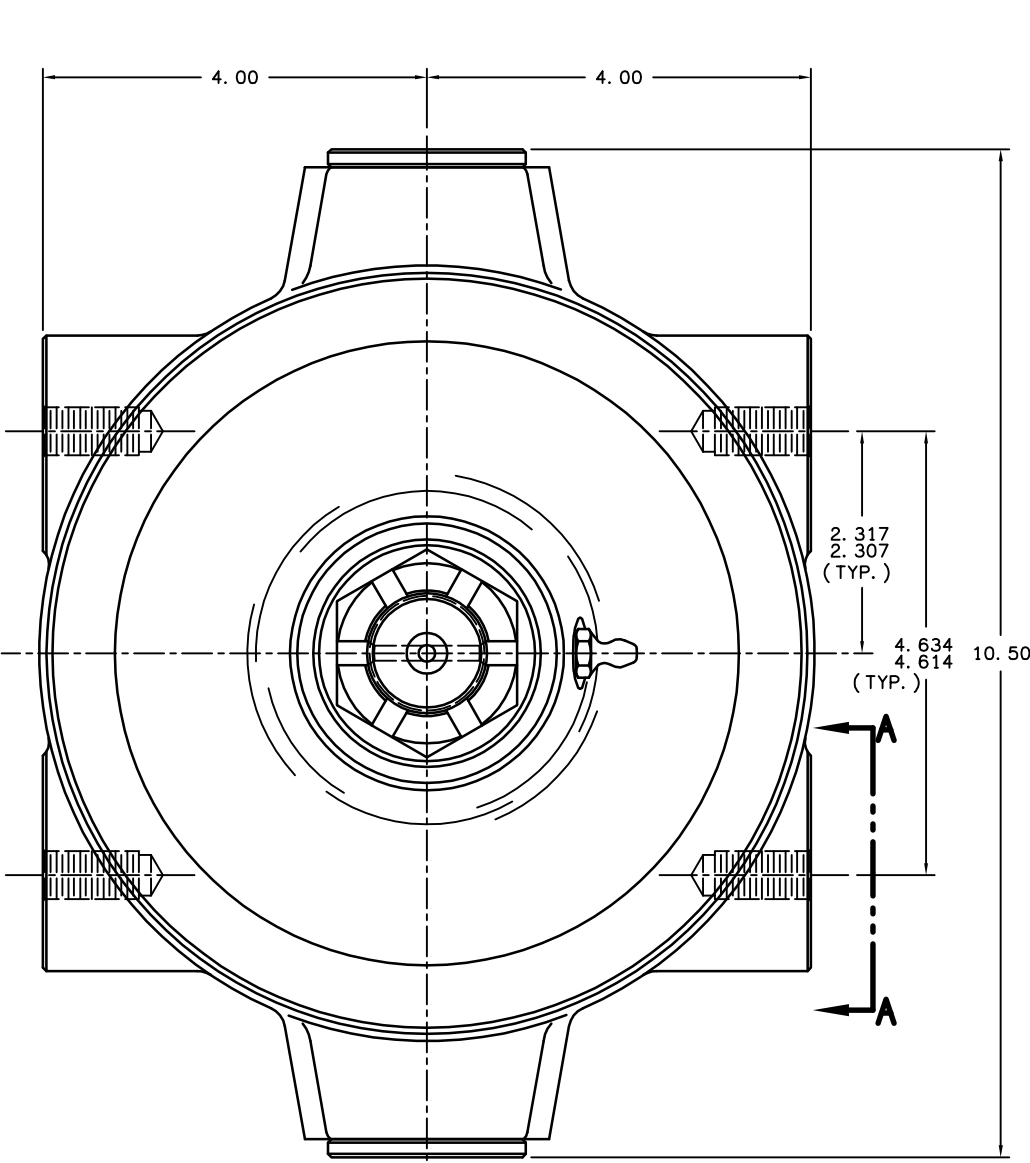
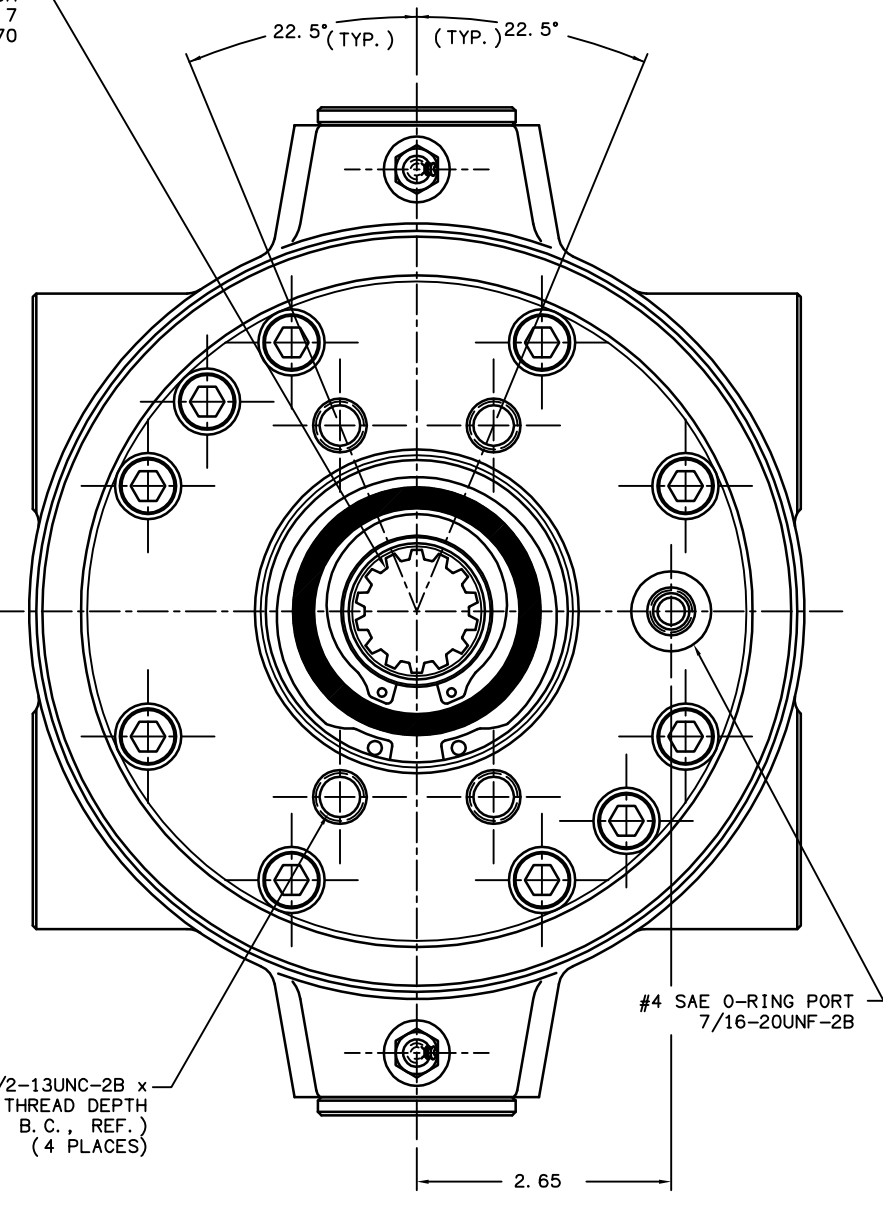


TITLE MARK IND. TRUNNION TC-501425-M		PART NUMBER 13-545-338
REV.	NPR OR ECO NO.	DATE
F	ECO S-1217	6/25/96



30° INVOLUTE SPLINE-INTERNAL
14 TOOTH 12/24 PITCH
FLAT ROOT, SIDE FIT, CLASS 7
PER ANSI B92.1-1970



NOTES:

- 1) O-RING REPAIR KIT P/N 12-501-026
- 2) BEARING REPAIR KIT P/N 12-501-108
- 3) LINING REPAIR KIT P/N 12-501-106
- 4) SPRING REPAIR KIT P/N 12-501-114
- 5) REFER TO MARK IND. #81348 FOR COMPLETE ASSEMBLY.

SPECIFICATIONS:

TYPE: DRY MULTIPLE DISC BRAKE, SPRING APPLY, HYDRAULIC RELEASE

TORQUE RATING: 24,500 LB-IN STATIC (BREAKAWAY) AT 0 PSI BACK PRESSURE

RELEASE PRESSURE: 340 PSI INITIAL, 480 PSI FULL

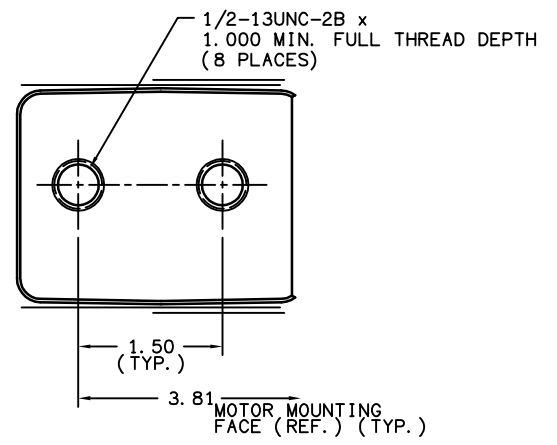
MAXIMUM OPERATING PRESSURE: 3,000 PSI

MAXIMUM SPEED: 1,200 RPM

LINING MATERIAL: SINTERED BRONZE

APPROXIMATE WEIGHT: 62 LBS.

FOR USE WITH MINERAL BASE HYDRAULIC OIL ONLY.



VIEW A-A

1/2-13UNC-2B x .560 FULL THREAD DEPTH (4.188 DIA. B.C., REF.) (4 PLACES)

MICO, INC. CLAIMS PROPRIETARY RIGHTS TO THE MATERIAL DISCLOSED IN THIS DOCUMENT. THIS DOCUMENT IS PROVIDED IN CONFIDENCE AND MAY NOT BE REPRODUCED OR DISCLOSED WITHOUT WRITTEN PERMISSION FROM MICO, INC. COPYRIGHT MICO, INC. ALL RIGHTS RESERVED.

mico		North Mankato, Minnesota U.S.A.	
SCALE 1:2	PART NUMBER 13-545-338	REV. F	
X NO.	DRAWN G.J.	CUSTOMER COPY	
REVIS	DATE 05/24/00	CHECKED	APPROVED ENG.