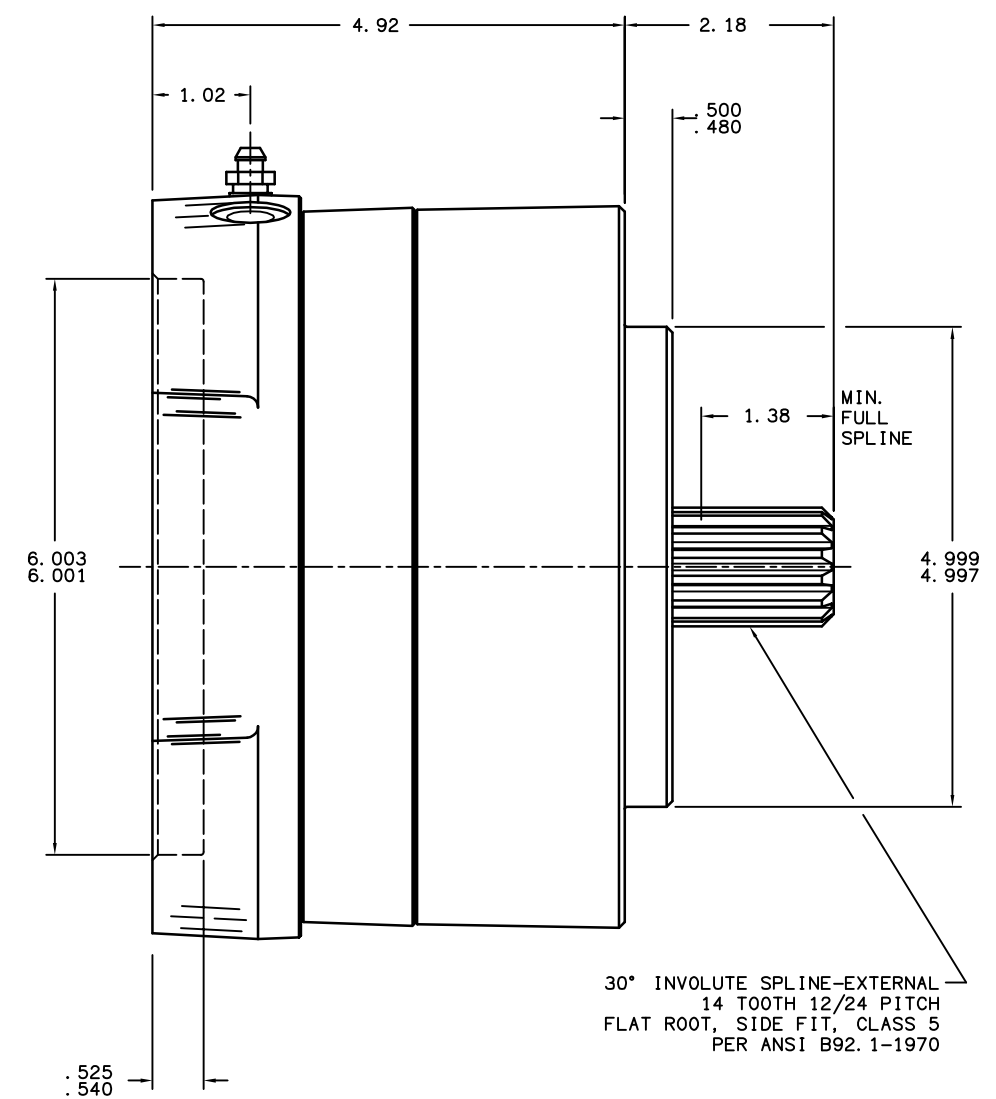
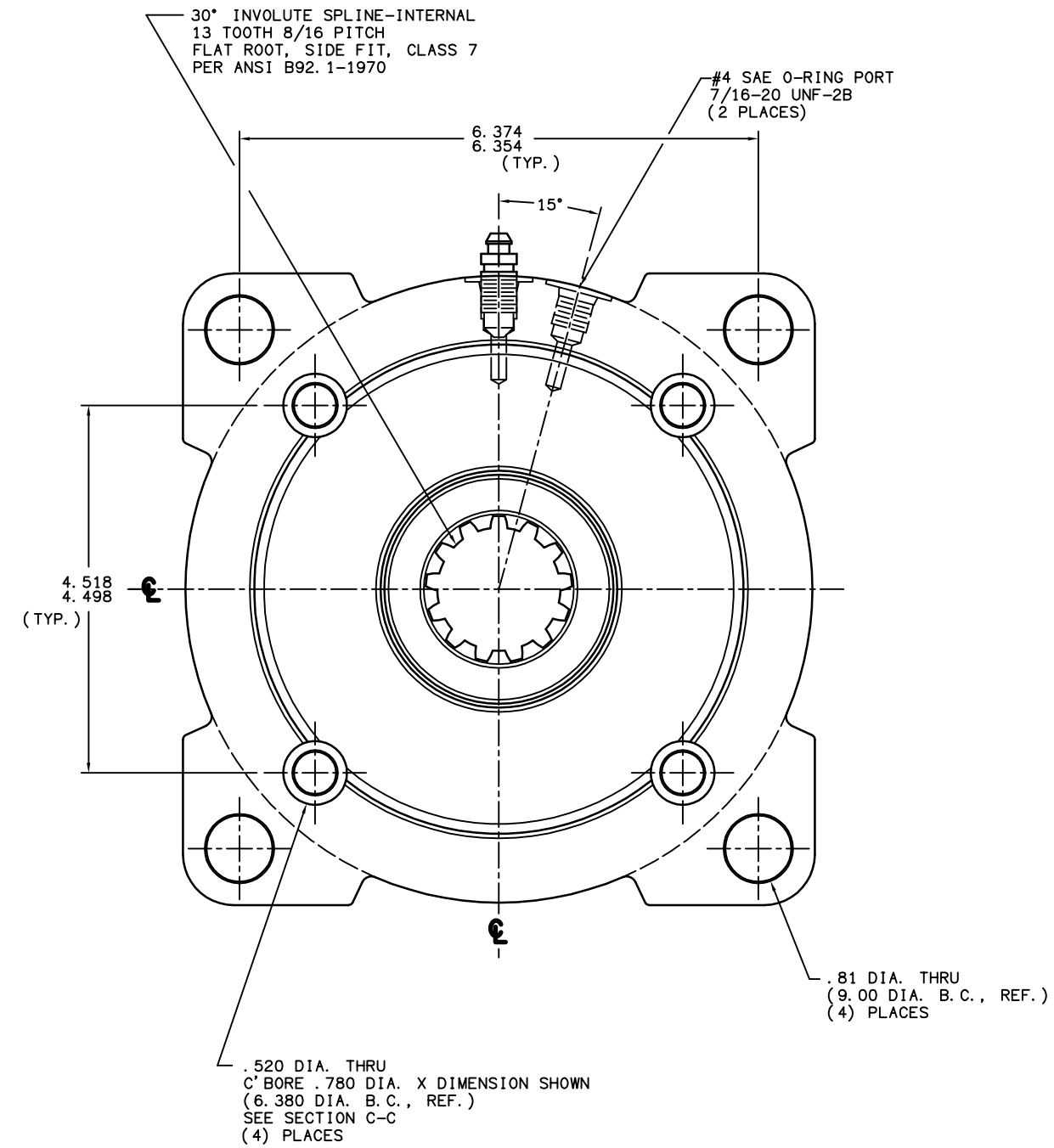


| | | |
|--|----------------|---------------------------|
| TITLE MULTIPLE DISC BRAKE 3C-141398-D | | PART NUMBER 13-547-016 |
| REV. | NPR OR ECO NO. | DATE |
| E | ECO S-1686 | 01/07/03 |



NOTES:

- 1.) LINING REPAIR KIT P/N 12-501-222
- 2.) BEARING REPAIR KIT P/N 12-501-220
- 3.) O-RING REPAIR KIT P/N 12-501-219
- 4.) SPRING REPAIR KIT P/N 12-501-221

SPECIFICATIONS:

| | |
|---|--|
| <u>TYPE:</u> | DRY MULTIPLE DISC BRAKE, SPRING APPLY, HYDRAULIC RELEASE |
| <u>TORQUE RATING:</u> | 9,800 LB-IN STATIC (BREAKAWAY) AT 0 PSI BACK PRESSURE |
| <u>RELEASE PRESSURE:</u> | 210 PSI INITIAL, 290 PSI FULL |
| <u>MAXIMUM OPERATING PRESSURE:</u> | 3,000 PSI |
| <u>MAXIMUM SPEED:</u> | 3,900 RPM |
| <u>LINING MATERIAL:</u> | SINTERED BRONZE |
| <u>APPROXIMATE WEIGHT:</u> | 50 LBS. |
| FOR USE WITH MINERAL BASE HYDRAULIC OIL ONLY. | |

MICO, INC. CLAIMS PROPRIETARY RIGHTS TO THE MATERIAL DISCLOSED IN THIS DOCUMENT. THIS DOCUMENT IS PROVIDED IN CONFIDENCE AND MAY NOT BE REPRODUCED OR DISCLOSED WITHOUT WRITTEN PERMISSION FROM MICO, INC. COPYRIGHT MICO, INC. ALL RIGHTS RESERVED.

| | |
|--|---------------------------|
| mico North Mankato, Minnesota U.S.A. | |
| SCALE 1:2 | PART NUMBER 13-547-016 |
| X NO. | CUSTOMER COPY |
| DRAWN RAMOS | |
| REVISED LH | |
| DATE 1/24/00 | CHECKED G. J. 03/07/03 |
| | APPROVED ENG.GAA 03/06/03 |