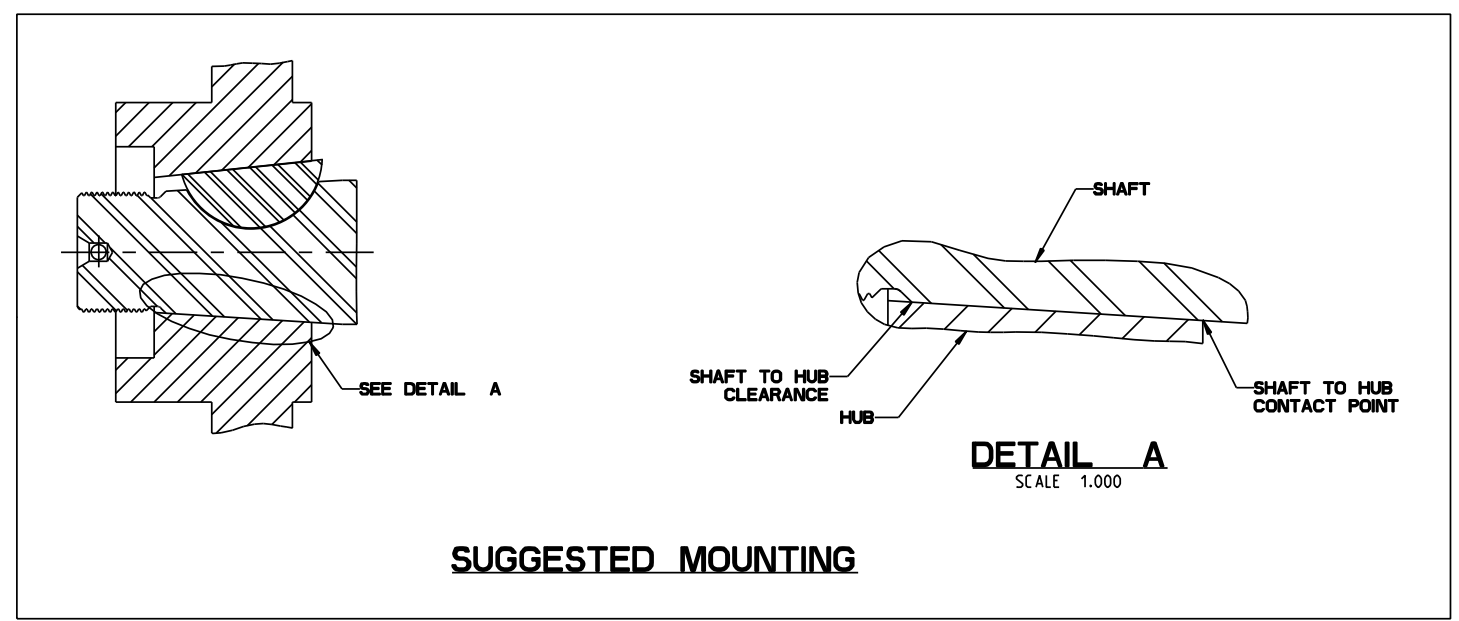


**INSTALLATION INFORMATION**  
1. THIS BRAKE IS DESIGNED TO MOUNT WITH THE VIS-40 SERIES MOTOR  
2. IF THE MOTOR CASE DRAIN IS USED, THE DRAIN LINE MUST BE ROUTED SUCH THAT THE SPLINE AREA IS LUBRICATED AT ALL TIMES  
3. REFER TO THE MOTOR INSTALLATION INSTRUCTIONS FOR FURTHER INFORMATION  
**CAUTION:**  
CASE PRESSURE BETWEEN THE MOTOR AND BRAKE MUST NOT EXCEED 40 PSI.



**NOTES:**  
1. USE MINERAL BASE HYDRAULIC OIL ONLY FOR BRAKE RELEASE.  
2. DIMENSIONS MAY VARY BETWEEN UNITS AND ARE FOR REFERENCE PURPOSES ONLY. MILLIMETER VALUES MAY NOT BE AN EXACT CONVERSION OF INCH VALUES.  
3. LINING REPAIR KIT P/N 12-501-502  
4. BEARING REPAIR KIT P/N 12-501-503  
5. O-RING REPAIR KIT P/N 12-501-504  
6. SPRING REPAIR KIT P/N 12-501-505  
7. CUSTOMER TO MAKE SURE PROPER GASKETS/O-RINGS ARE USED ON BOTH INPUT AND OUTPUT FACE  
8. BRAKES ARE SHIPPED UNPAINTED. CUSTOMER TO ENSURE THE BRAKES ARE PAINTED TO PREVENT CORROSION.  
9. DO NOT PAINT TAPERED SHAFT. SURFACES ∇ AND ∇ SEAL NEAR THE TAPERED END OF THE SHAFT TO BE PROTECTED DURING PAINTING

**SPECIFICATIONS:**  
TYPE: DRY MULTIPLE DISC BRAKE, SPRING APPLY, HYDRAULIC RELEASE.  
TORQUE RATING: 24,000 LBIN STATIC (BREAKAWAY) AT 0 PSI BACK PRESSURE  
RELEASE PRESSURE: 490 PSI INITIAL, 680 PSI FULL  
MAXIMUM OPERATING PRESSURE: 3,000 PSI  
MAXIMUM SPEED: 1,000 RPM  
LINING MATERIAL: SINTERED BRONZE  
APPROXIMATE WEIGHT: 51.0 LB

**INCH**  
**(MILLIMETER)**



COMPONENT AND SYSTEM RECOMMENDATIONS MADE BY MICO, INC ARE BASED ON INFORMATION SUPPLIED BY POTENTIAL USER AND/OR SYSTEM DESIGNER. THE POTENTIAL USER AND/OR DESIGNER MUST MAKE FINAL ACCEPTANCE AND APPROVAL OF COMPONENTS AND SYSTEM AFTER TESTING PERFORMANCE ON AN ACTUAL APPLICATION FOR WHICH SYSTEM WAS DESIGNED.	MICO, INC CLAIMS PROPRIETARY RIGHTS TO THE MATERIAL DISCLOSED IN THIS DOCUMENT. THIS DOCUMENT IS PROVIDED IN CONFIDENCE AND MAY NOT BE REPRODUCED OR DISCLOSED WITHOUT WRITTEN PERMISSION FROM MICO, INC. COPYRIGHT MICO, INC. ALL RIGHTS RESERVED.	SCALE 0.500	TITLE WHEEL BRAKE	SIZE C	DRAWING NUMBER 13-587-104	REV B
DWN RGSB1 2011-02-17	APVD PROD ENGRG PJS 2011-08-09	X NO X10-4113	APVD ENGRG BLF 2011-08-03		CUSTOMER COPY	