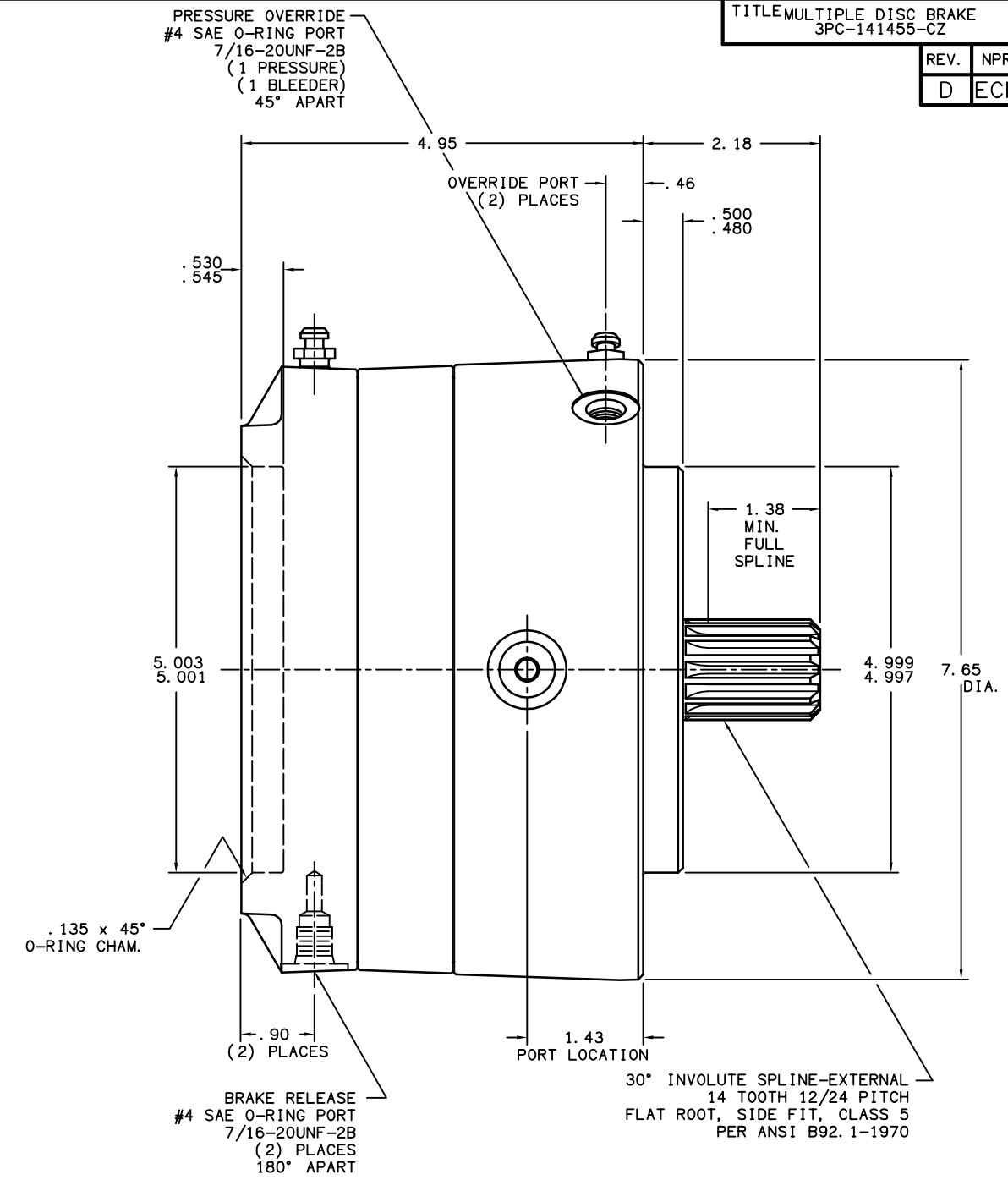
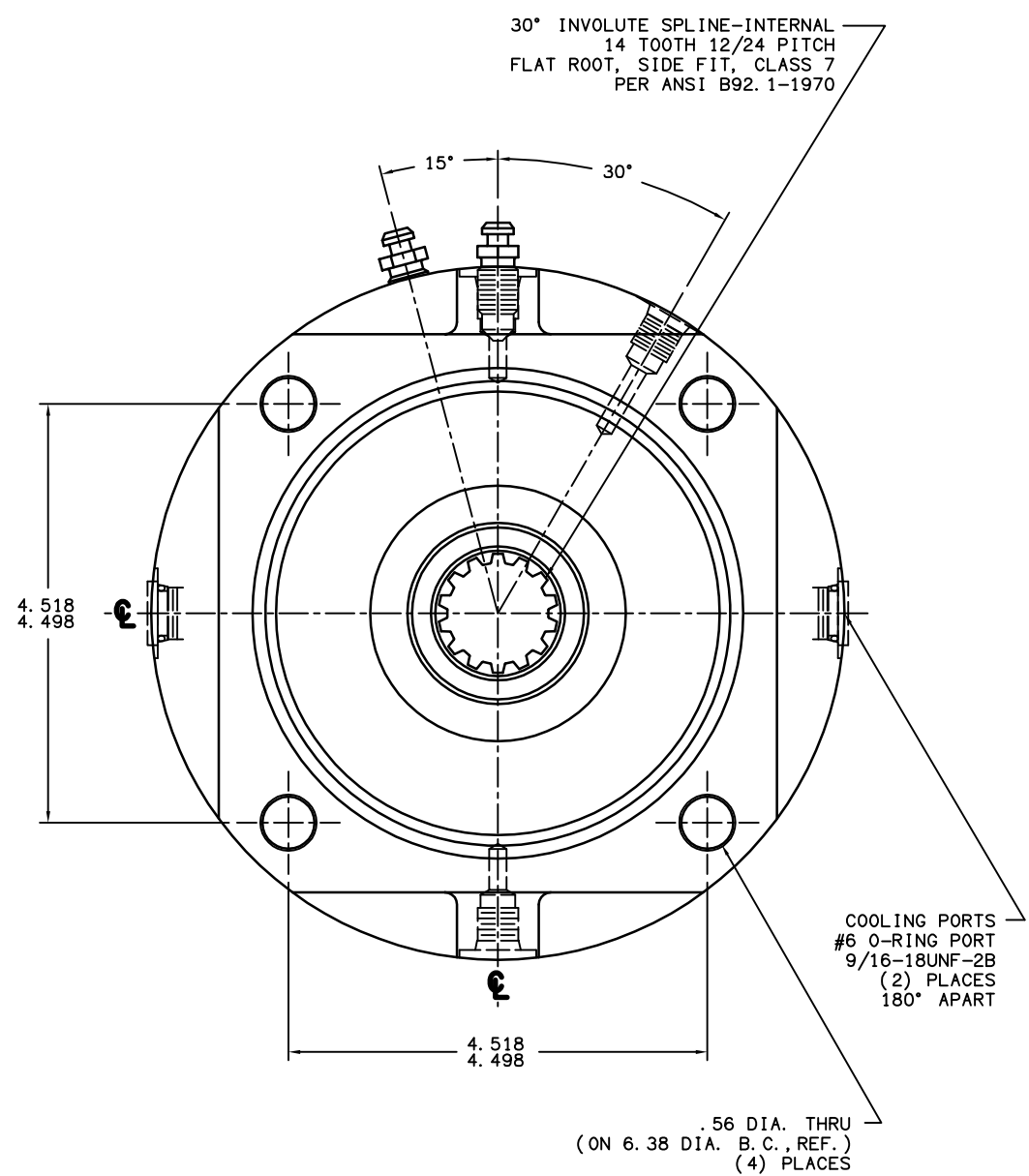


TITLE MULTIPLE DISC BRAKE 3PC-141455-CZ		PART NUMBER 13-597-016
REV.	NPR OR ECO NO.	DATE
D	ECN000117	02/13/06



**NOTES:**

- 1) LINING REPAIR KIT P/N 12-501-321
- 2) BEARING REPAIR KIT P/N 12-501-322
- 3) O-RING REPAIR KIT P/N 12-501-323
- 4) SPRING REPAIR KIT P/N 12-501-324

**SPECIFICATIONS:**

<b>TYPE:</b>	WET MULTIPLE DISC BRAKE, SPRING APPLY, HYDRAULIC RELEASE. (WITH PRESSURE OVERRIDE)
<b>FAILSAFE SECTION:</b>	
TORQUE RATING:	WET 3,600 LB-IN STATIC (BREAKAWAY) AT 0 PSI BACK PRESSURE DRY 5,500 LB-IN DRY TORQUE FOR BRAKE RATING AND SPECIFICATIONS ONLY.
<b>RELEASE PRESSURE:</b>	160 PSI INITIAL, 220 PSI FULL 3,000 PSI MAX. CONTINUOUS
<b>SERVICE OVERRIDE SECTION:</b>	
TORQUE RATING:	6,200 LB-IN (WET) @ 1,000 PSI
MAXIMUM INPUT PRESSURE:	1,000 PSI
<b>MAXIMUM SPEED:</b>	4,000 RPM. HOWEVER, MAXIMUM SPEED AT TIME OF SERVICE APPLY IS DEPENDENT ON PRODUCT APPLICATION.
<b>APPROXIMATE WEIGHT:</b>	44 LBS.
FOR USE WITH MINERAL BASE HYDRAULIC OIL ONLY.	

**COOLING OIL RECOMMENDATIONS:**

**OIL TYPE:** MINERAL BASE HYDRAULIC  
OIL SUCH AS MOBIL DTE 24,  
CITGO A/W 32 OR EQUIVALENT

**FLOW THRU CAPACITY:** 1.0 - 7.0 GPM

**MAXIMUM CASE PRESSURE:** 30 PSI

**SUMP OIL VOLUME:**  
HORIZONTAL: 4 FL. OZ.  
VERTICAL: CONTACT FACTORY

<b>mico</b>	
North Mankato, Minnesota U.S.A.	
SCALE 1:2	PART NUMBER
X NO.	13-597-016
DRAWN G. J.	CUSTOMER COPY
REVISED AO	
DATE 02/13/06	CHECKED GAA 03/01/06
	APPROVED DMM ENG. 03/01/06

MICO, INC. CLAIMS PROPRIETARY RIGHTS TO THE MATERIAL DISCLOSED IN THIS DOCUMENT. THIS DOCUMENT IS PROVIDED IN CONFIDENCE AND MAY NOT BE REPRODUCED OR DISCLOSED WITHOUT WRITTEN PERMISSION FROM MICO, INC. COPYRIGHT MICO, INC. ALL RIGHTS RESERVED.