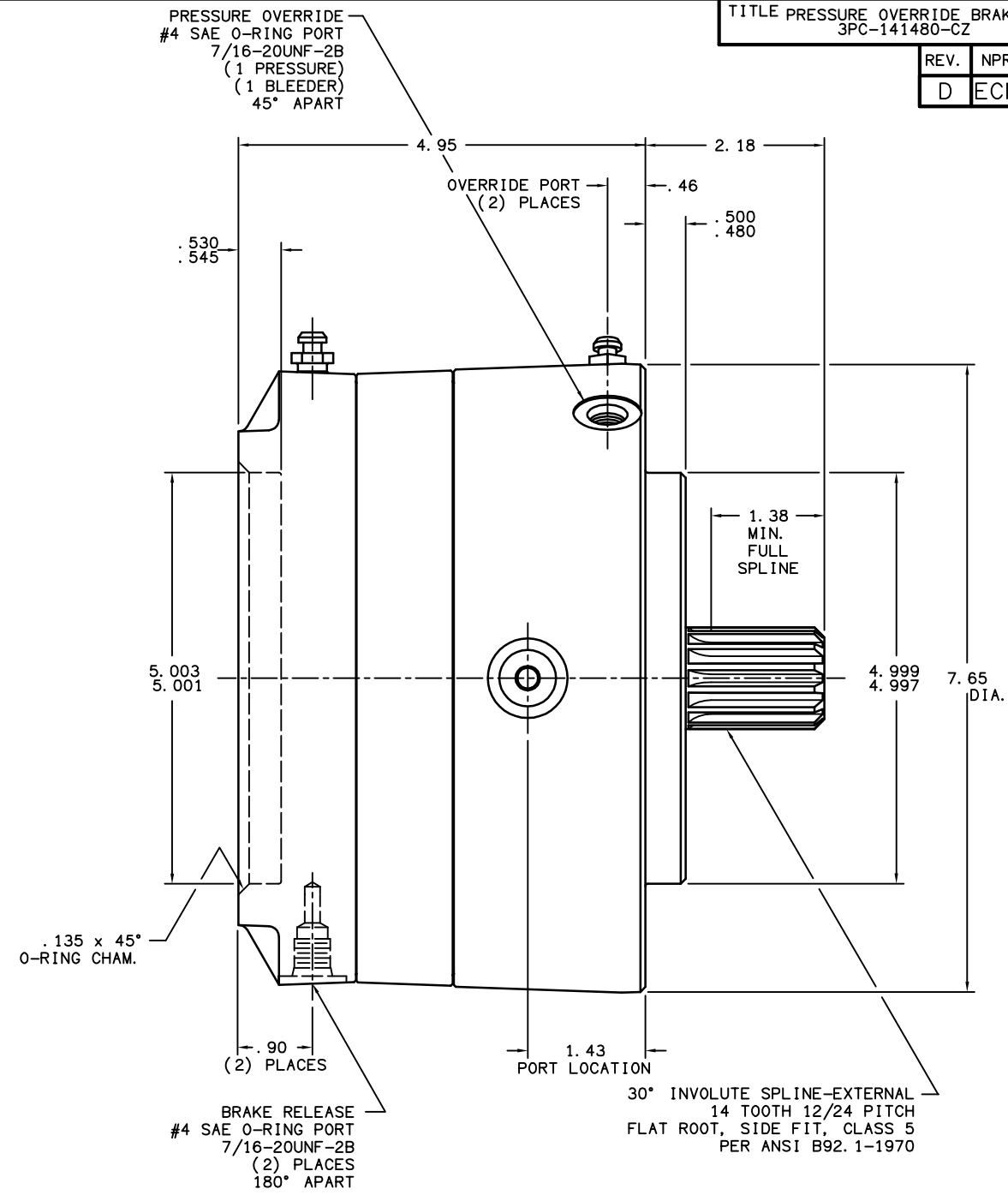
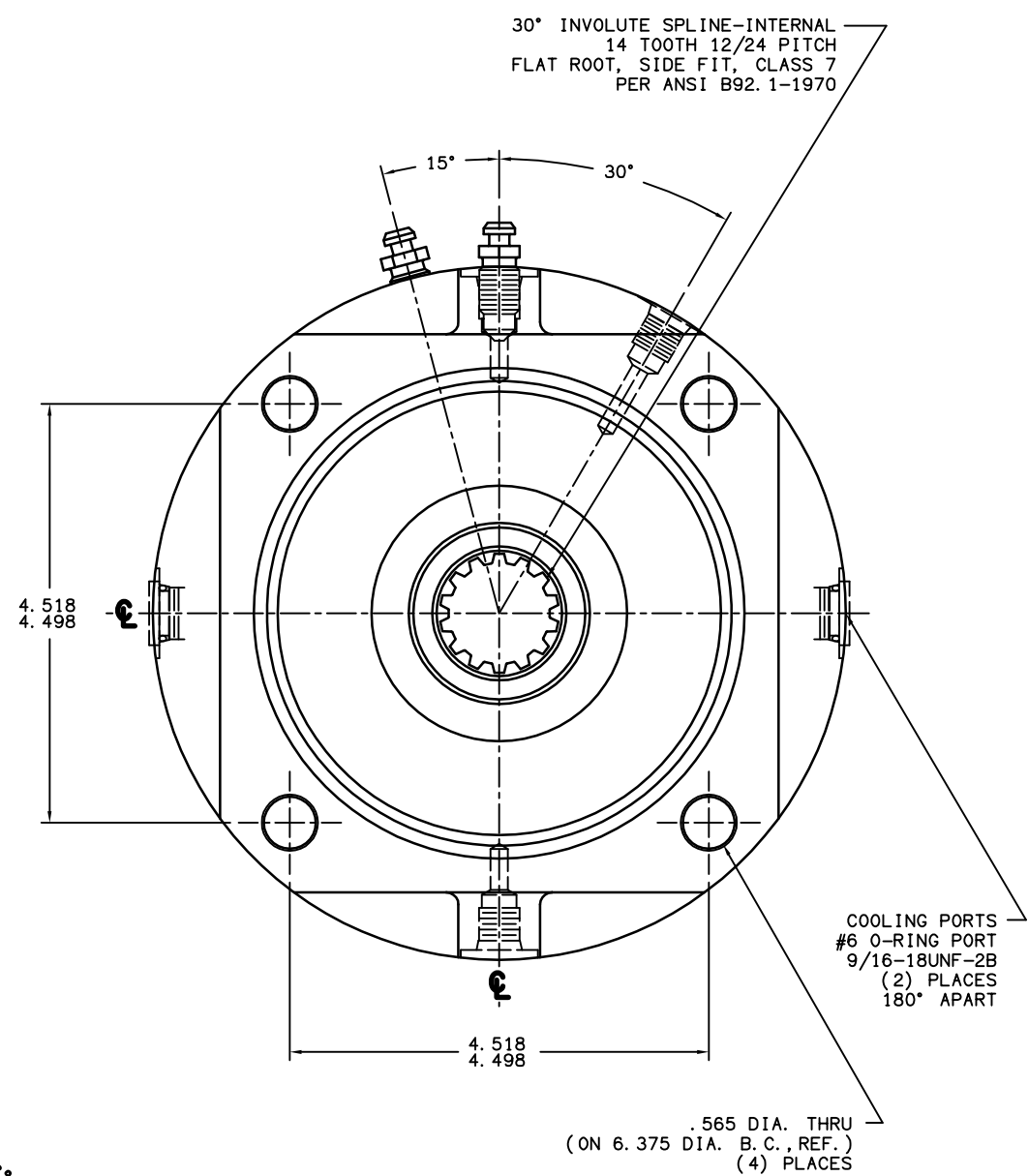


TITLE PRESSURE OVERRIDE BRAKE 3PC-141480-CZ		PART NUMBER 13-597-024
REV.	NPR OR ECO NO.	DATE
D	ECN000117	02/13/06



NOTES:

- 1) LINING REPAIR KIT P/N 12-501-321
- 2) BEARING REPAIR KIT P/N 12-501-322
- 3) O-RING REPAIR KIT P/N 12-501-323
- 4) SPRING REPAIR KIT P/N 12-501-324

SPECIFICATIONS:

<u>TYPE:</u>	WET MULTIPLE DISC BRAKE, SPRING APPLY, HYDRAULIC RELEASE. (WITH PRESSURE OVERRIDE)
<u>FAILSAFE SECTION:</u>	WET 5,300 LB-IN STATIC (BREAKAWAY) AT 0 PSI BACK PRESSURE
<u>TORQUE RATING:</u>	DRY 8,000 LB-IN DRY TORQUE FOR BRAKE RATING AND SPECIFICATIONS ONLY.
<u>RELEASE PRESSURE:</u>	220 PSI INITIAL, 300 PSI FULL 3,000 PSI MAX. CONTINUOUS
<u>SERVICE OVERRIDE SECTION:</u>	6,200 LB-IN (WET) @ 1,000 PSI
<u>TORQUE RATING:</u>	1,000 PSI
<u>MAXIMUM INPUT PRESSURE:</u>	1,000 PSI
<u>MAXIMUM SPEED:</u>	4,000 RPM, HOWEVER, MAXIMUM SPEED AT TIME OF SERVICE APPLY IS DEPENDENT ON PRODUCT APPLICATION.
<u>APPROXIMATE WEIGHT:</u>	44 LBS.

FOR USE WITH MINERAL BASE HYDRAULIC OIL ONLY.

COOLING OIL RECOMMENDATIONS:

OIL TYPE: MINERAL BASE HYDRAULIC
OIL SUCH AS MOBIL DTE 24,
CITGO A/W 32 OR EQUIVALENT

FLOW THRU CAPACITY: 1.0 - 7.0 GPM

MAXIMUM CASE PRESSURE: 30 PSI

SUMP OIL VOLUME:
HORIZONTAL: 4 FL. OZ.
VERTICAL: CONTACT FACTORY

MICO		North Mankato, Minnesota U.S.A.	
SCALE 1:2	PART NUMBER	REV.	
X NO.	13-597-024	D	
DRAWN	CUSTOMER COPY		
REVISED AO			
DATE 02/13/06	CHECKED GAA 03/01/06	APPROVED DMM	ENG. 03/01/06

MICO, INC. CLAIMS PROPRIETARY RIGHTS TO THE MATERIAL DISCLOSED IN THIS DOCUMENT. THIS DOCUMENT IS PROVIDED IN CONFIDENCE AND MAY NOT BE REPRODUCED OR DISCLOSED WITHOUT WRITTEN PERMISSION FROM MICO, INC. COPYRIGHT MICO, INC. ALL RIGHTS RESERVED.