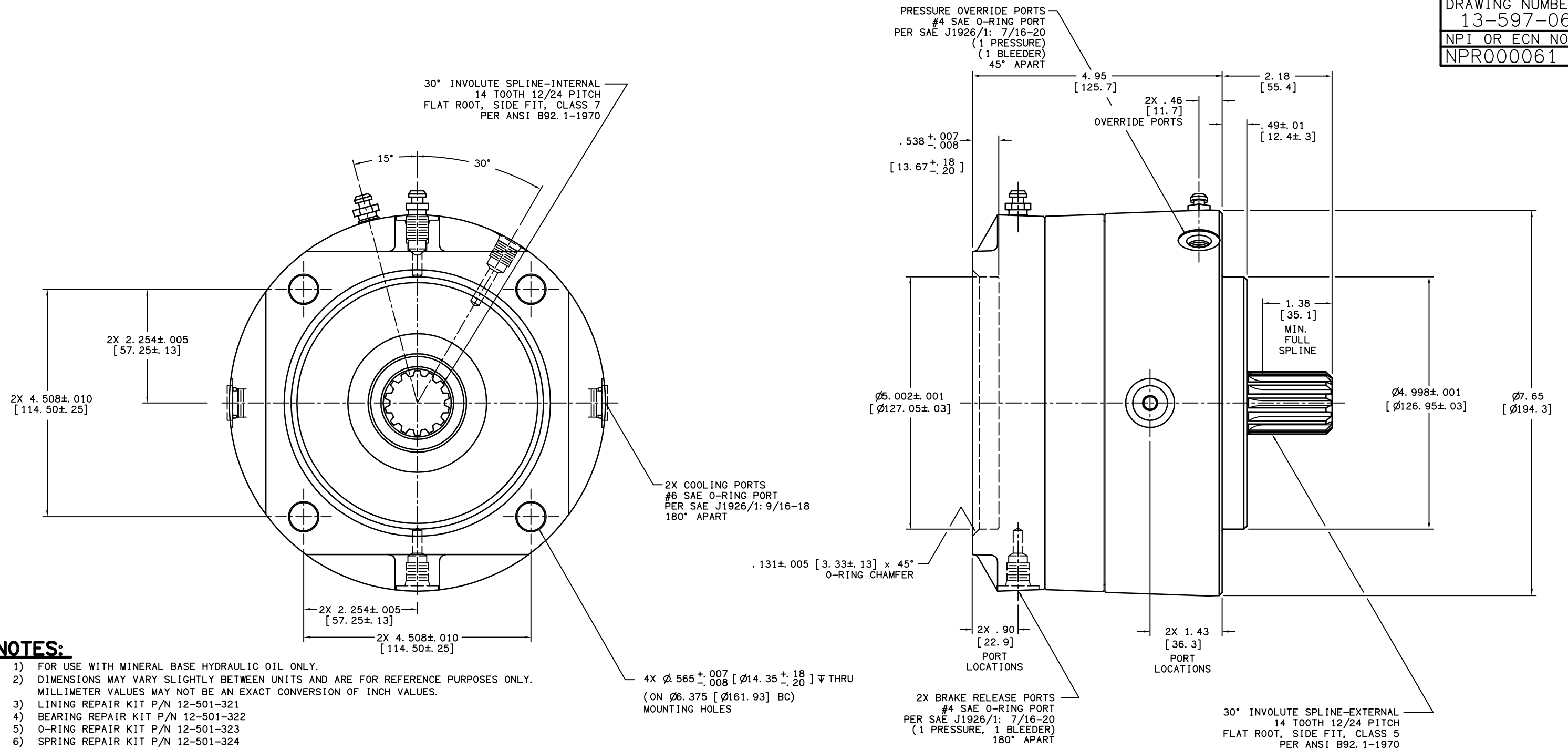


DRAWING NUMBER  
13-597-060  
NPI OR ECN NO  
NPR000061



**NOTES:**

- 1) FOR USE WITH MINERAL BASE HYDRAULIC OIL ONLY.
- 2) DIMENSIONS MAY VARY SLIGHTLY BETWEEN UNITS AND ARE FOR REFERENCE PURPOSES ONLY. MILLIMETER VALUES MAY NOT BE AN EXACT CONVERSION OF INCH VALUES.
- 3) LINING REPAIR KIT P/N 12-501-321
- 4) BEARING REPAIR KIT P/N 12-501-322
- 5) O-RING REPAIR KIT P/N 12-501-323
- 6) SPRING REPAIR KIT P/N 12-501-324

**SPECIFICATIONS:**

<b>TYPE:</b>	WET MULTIPLE DISC BRAKE, SPRING APPLY, HYDRAULIC RELEASE. (WITH PRESSURE OVERRIDE)
<b>FAILSAFE SECTION:</b>	
TORQUE RATING:	WET 7,000 LB-IN STATIC (BREAKAWAY) AT 0 PSI BACK PRESSURE
	DRY 10,500 LB-IN DRY TORQUE FOR BRAKE RATING AND SPECIFICATIONS ONLY.
	TORQUE RATING MAY VARY BY UP TO ±10% DUE TO MANUFACTURING TOLERANCES.
<b>RELEASE PRESSURE:</b>	285 PSI INITIAL, 380 PSI FULL 3,000 PSI MAX. CONTINUOUS
<b>SERVICE OVERRIDE SECTION:</b>	
TORQUE RATING:	6,200 LB-IN (WET) @ 1,000 PSI
MAXIMUM INPUT PRESSURE:	1,000 PSI
<b>MAXIMUM SPEED:</b>	4,000 RPM. HOWEVER, MAXIMUM SPEED AT TIME OF SERVICE APPLY IS DEPENDENT ON PRODUCT APPLICATION.
<b>APPROXIMATE WEIGHT:</b>	44 LBS.
<b>LINING MATERIAL:</b>	METALLIC GRAPHITIC

**COOLING OIL RECOMMENDATIONS:**

**OIL TYPE:** MINERAL BASE HYDRAULIC OIL SUCH AS MOBIL DTE 24, CITGO A/W 32 OR EQUIVALENT

**FLOW THRU CAPACITY:** 1.0 - 7.0 GPM

**MAXIMUM CASE PRESSURE:** 30 PSI

**SUMP OIL VOLUME:**  
HORIZONTAL SHAFT: 4 FL. OZ.  
VERTICAL SHAFT: CONTACT FACTORY

**INCH  
[ MILLIMETER ]**



COMPONENT AND SYSTEM RECOMMENDATIONS MADE BY MICO, INC ARE BASED ON INFORMATION SUPPLIED BY POTENTIAL USER AND/OR SYSTEM DESIGNER. THE POTENTIAL USER AND/OR DESIGNER MUST MAKE FINAL ACCEPTANCE AND APPROVAL OF COMPONENTS AND SYSTEM AFTER TESTING PERFORMANCE ON AN ACTUAL APPLICATION FOR WHICH SYSTEM WAS DESIGNED.		MICO, INC CLAIMS PROPRIETARY RIGHTS TO THE MATERIAL DISCLOSED IN THIS DOCUMENT. THIS DOCUMENT IS PROVIDED IN CONFIDENCE AND MAY NOT BE REPRODUCED OR DISCLOSED WITHOUT WRITTEN PERMISSION FROM MICO, INC. COPYRIGHT MICO, INC. ALL RIGHTS RESERVED.	
SCALE 1-1/2	TITLE PRESSURE OVERRRIDE BRAKE 3PC-141410-CZ	SIZE B	REV A
DWN JRA 2009-09-01	APVD PROD ENGRG PJS 2009-09-01	DRAWING NUMBER 13-597-060	CUSTOMER COPY
X NO 08-2116	APVD ENGRG BLF 2009-09-01		