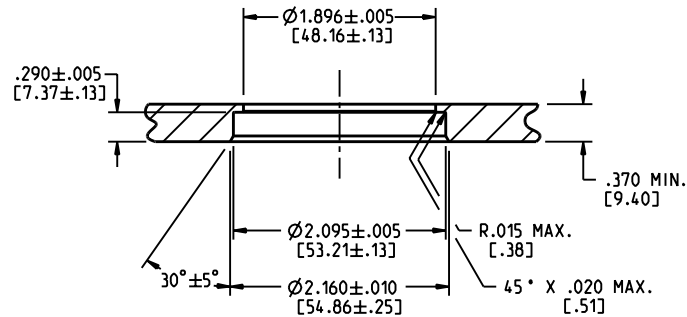
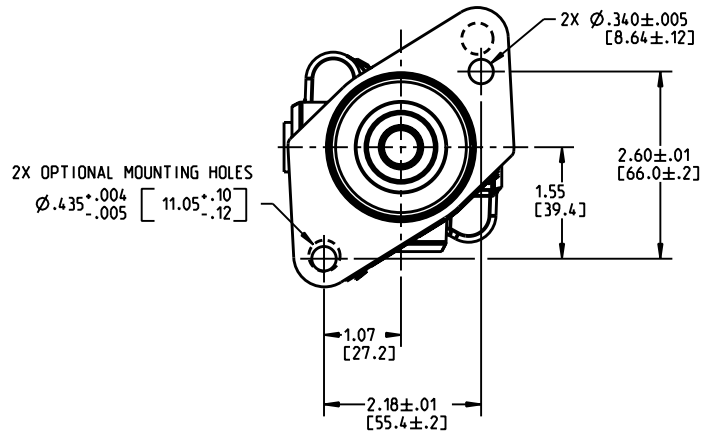
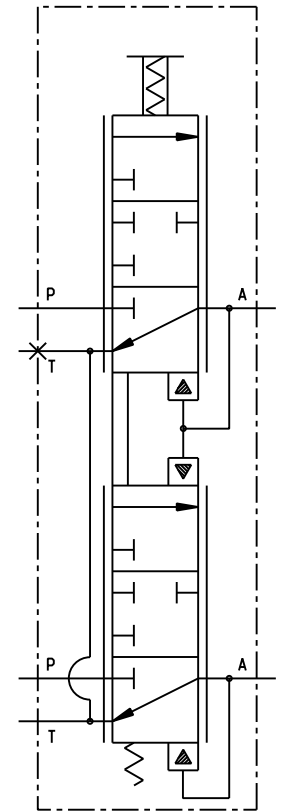
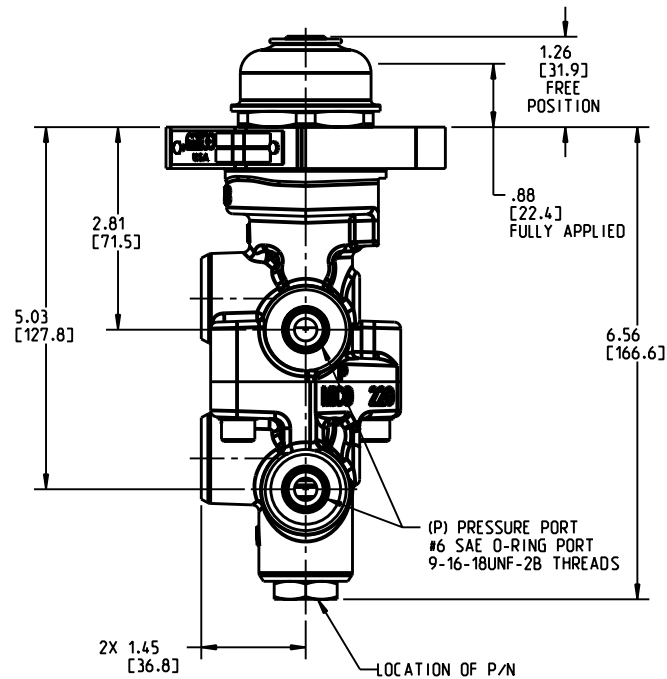
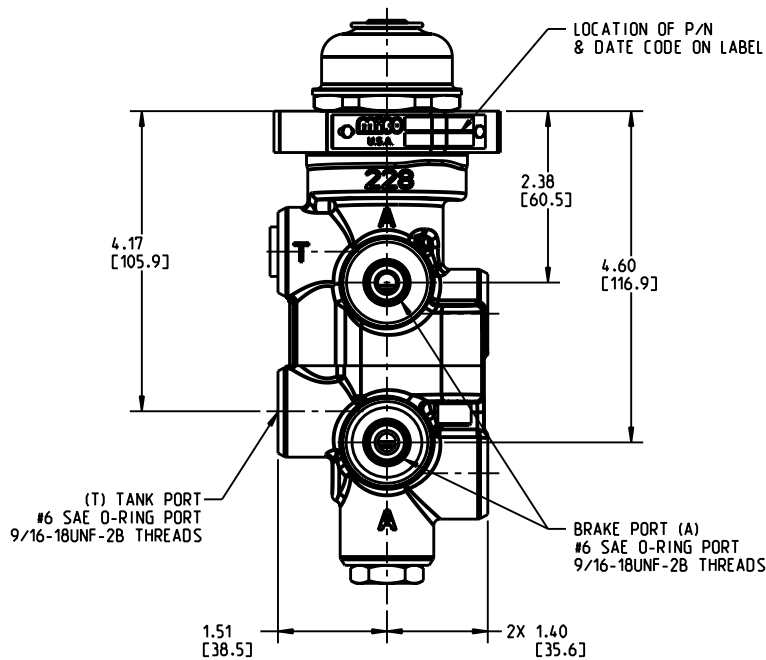


PART NUMBER
20-100-754
NPI OR ECN NO.
NPI F000039



SUGGESTED MOUNTING HOLE

SCALE: NONE



NOTES:

- FOR USE WITH MINERAL BASED HYDRAULIC OIL ONLY.
- DIMENSIONS MAY VARY SLIGHTLY BETWEEN UNITS AND ARE FOR REFERENCE PURPOSES ONLY.
- WHEN INSTALLED, PLUNGER MUST NOT BE ADVANCED.
- REPAIR KIT P/N 06-400-248.
- FINISH: SEMI-GLOSS BLACK URETHANE ENAMEL PAINT.

PERFORMANCE CHARACTERISTICS:

- BRAKE PRESSURE SETTING IS 500 \pm 25 PSI.
- PRESSURE FROM THE UPPER BRAKE PORT IS APPROXIMATELY 26 PSI (32 PSI MAX.) HIGHER THAN PRESSURE FROM THE LOWER BRAKE PORT.



North Mankato, Minnesota U.S.A.

INCH
(MILLIMETER)

COMPONENT AND SYSTEM RECOMMENDATIONS MADE BY MICO, INC. ARE BASED ON INFORMATION SUPPLIED BY POTENTIAL USER AND/OR SYSTEM DESIGNER. THE POTENTIAL USER AND/OR DESIGNER MUST MAKE FINAL ACCEPTANCE AND APPROVAL OF COMPONENTS AND SYSTEM AFTER TESTING PERFORMANCE ON AN ACTUAL APPLICATION FOR WHICH SYSTEM WAS DESIGNED.

MICO, INC. CLAIMS PROPRIETARY RIGHTS TO THE MATERIAL DISCLOSED IN THIS DOCUMENT. THIS DOCUMENT IS PROVIDED IN CONFIDENCE AND MAY NOT BE REPRODUCED OR DISCLOSED WITHOUT WRITTEN PERMISSION FROM MICO, INC. COPYRIGHT MICO, INC. ALL RIGHTS RESERVED.

TITLE			
VALVE ASSEMBLY			
SCALE	CHECKED	PART NUMBER	REV
0.375	TT	20-100-754	A
DRN CL	APP ENG	CUSTOMER COPY 2'	
20-Sep-02	BSW		