

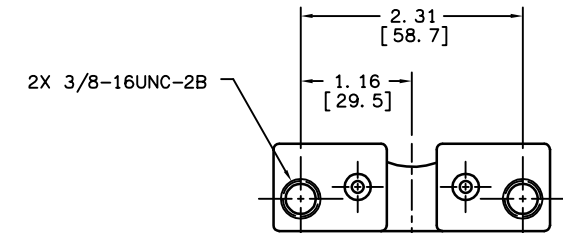
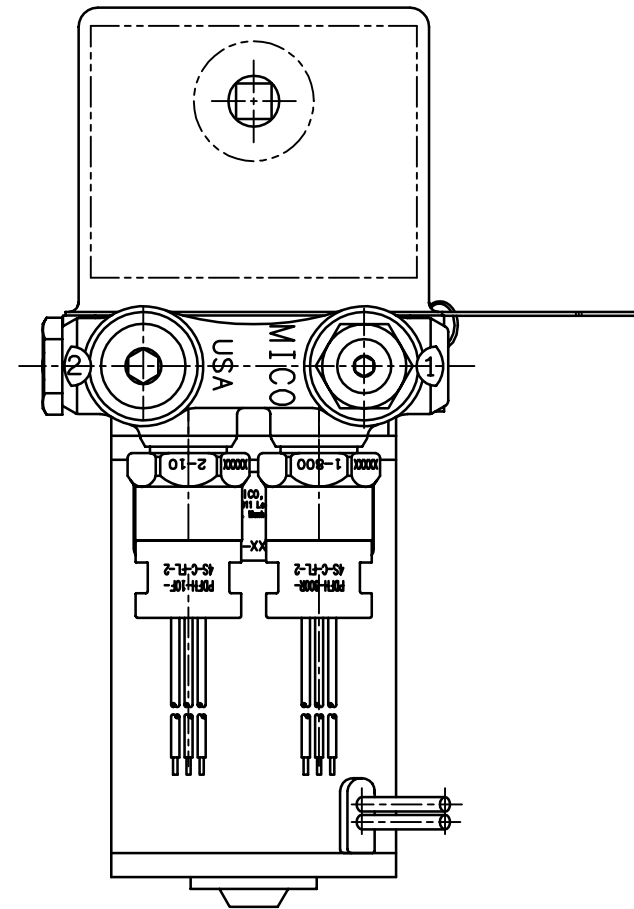
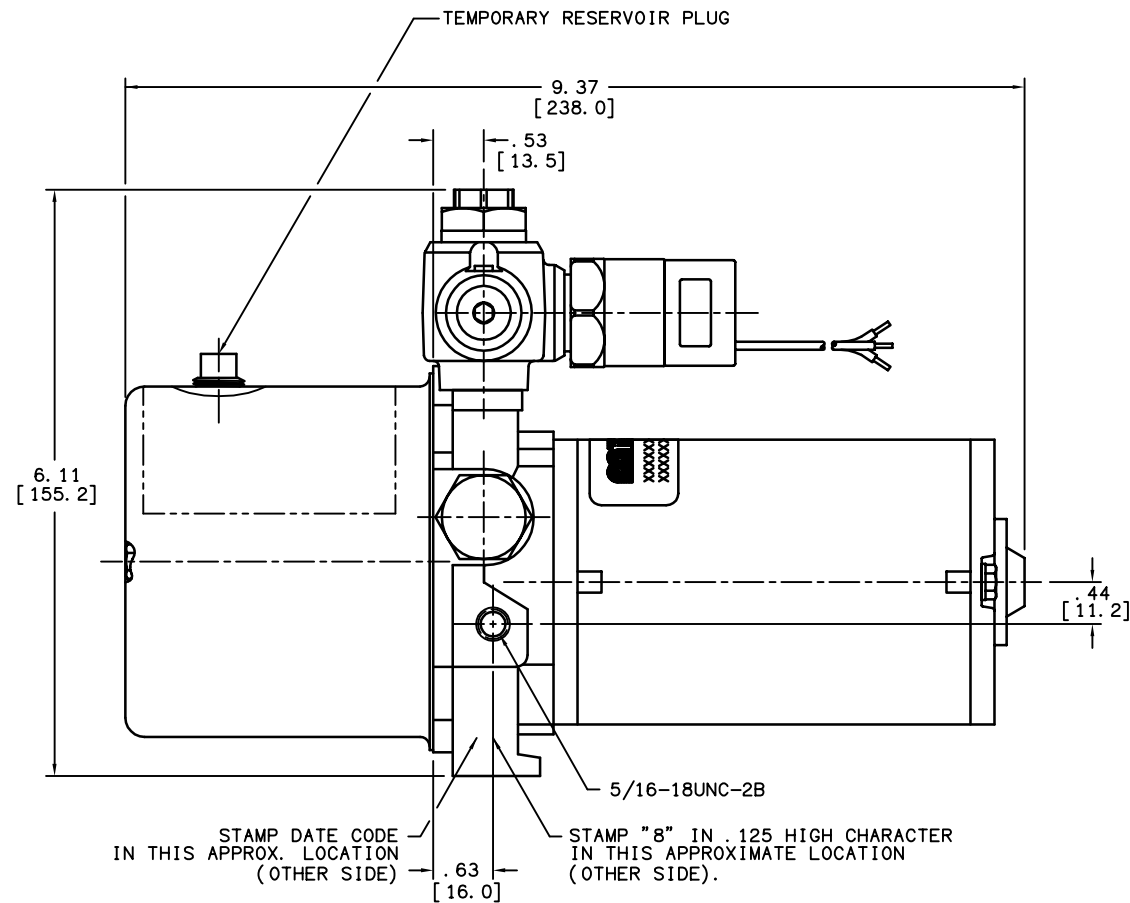
PART NUMBER  
20-410-005  
NPI OR ECN NO.  
ECN C000047

**NOTES:**

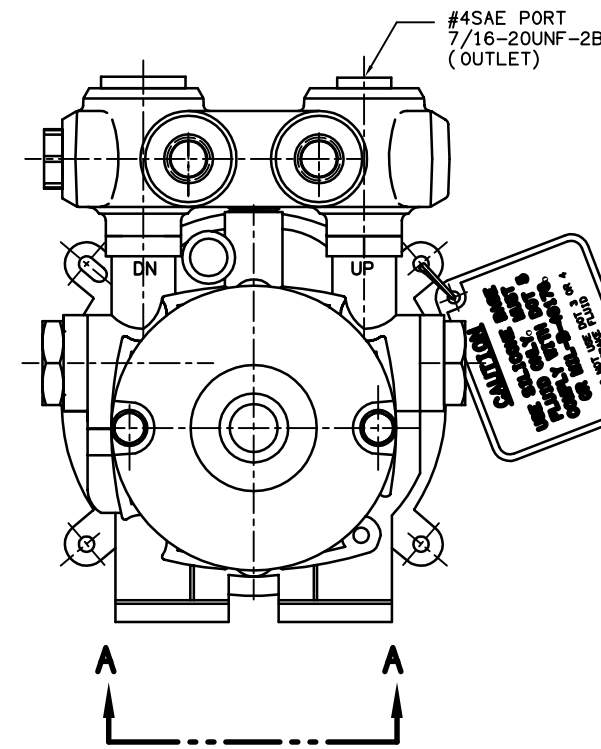
1. TO BE USED WITH DOT 5 OR MIL-B-46176 SILICONE FLUID ONLY.
2. DIMENSIONS MAY VARY SLIGHTLY BETWEEN UNITS AND ARE TO BE USED FOR REFERENCE PURPOSES ONLY.

**PERFORMANCE CHARACTERISTICS:**

1. 12VDC REVERSIBLE MOTOR.
2. PUMP DISPLACEMENT .0149 CU. IN. PER REV.
3. RV1 IS SET AT 1100-1200 PSI.



**VIEW A-A**



INCH  
[millimeter]



COMPONENT AND SYSTEM RECOMMENDATIONS MADE BY MICO, INC. ARE BASED ON INFORMATION SUPPLIED BY POTENTIAL USER AND/OR SYSTEM DESIGNER. THE POTENTIAL USER AND/OR DESIGNER MUST MAKE FINAL ACCEPTANCE AND APPROVAL OF COMPONENTS AND SYSTEM AFTER TESTING PERFORMANCE ON AN ACTUAL APPLICATION FOR WHICH SYSTEM WAS DESIGNED.		MICO, INC. CLAIMS PROPRIETARY RIGHTS TO THE MATERIAL DISCLOSED IN THIS DOCUMENT. THIS DOCUMENT IS PROVIDED IN CONFIDENCE AND MAY NOT BE REPRODUCED OR DISCLOSED WITHOUT WRITTEN PERMISSION FROM MICO, INC. COPYRIGHT MICO, INC. ALL RIGHTS RESERVED.	
TITLE POWER UNIT & MANIFOLD ASSEMBLY			
SCALE 1/2=1	CHECKED SH	PART NUMBER 20-410-005	REV J
DRN TLJ 8-16-2000	APP ENG JC	CUSTOMER COPY	