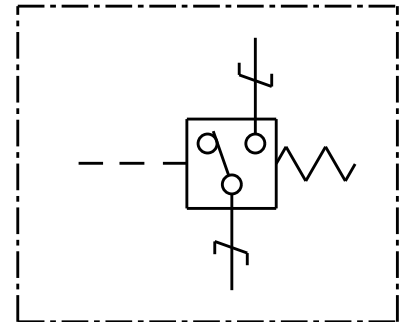
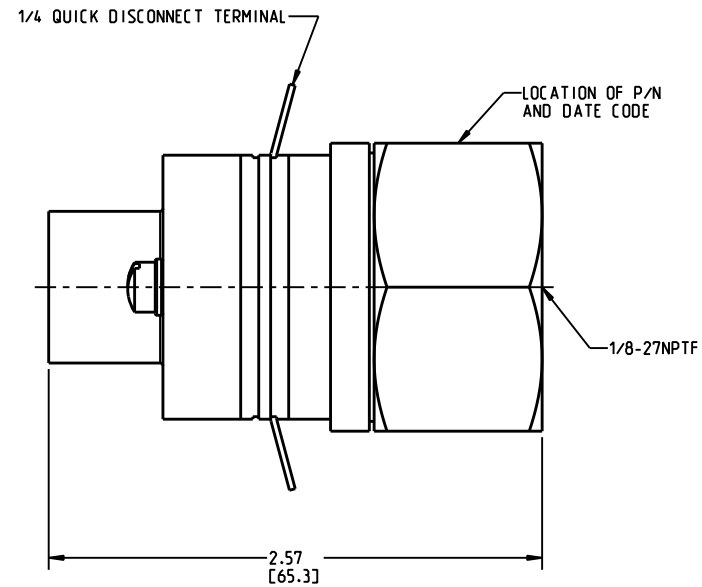
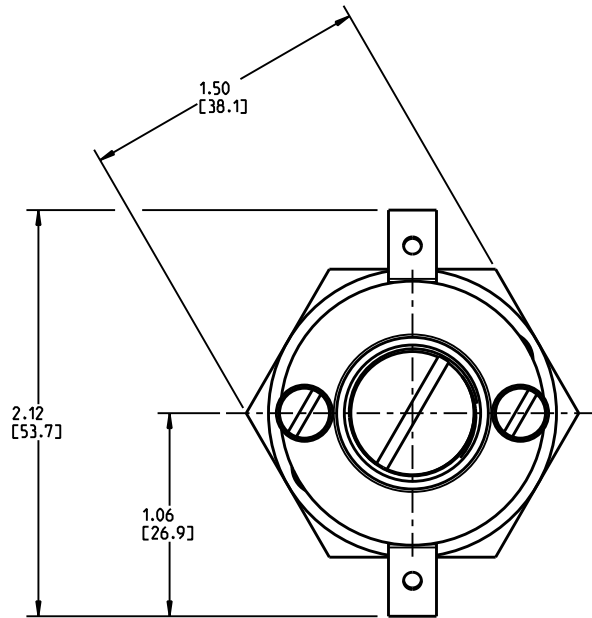


DRAWING NUMBER 20-580-010
NPI OR ECN NO
ECN C000457



**NOTES:**

- 1) FOR USE WITH DOT 3, 4 OR 5 BRAKE FLUID ONLY.
- 2) DIMENSIONS MAY VARY BETWEEN UNITS AND ARE FOR REFERENCE PURPOSES ONLY. MILLIMETER VALUES MAY NOT BE AN EXACT CONVERSION OF INCH VALUES.

**PERFORMANCE CHARACTERISTICS:**

- CONTACT ARRANGEMENT: NORMALLY OPEN
- RATING: 30 AMP, 6 VDC  
20 AMP, 12 VDC
- PRESSURE SETTING RANGE: 800-1200 PSI INCREASING  
600-1000 PSI DECREASING
- DIFFERENTIAL: 10% - 20% OF PRESSURE SETTING.
- MAXIMUM PRESSURE: 2000 PSI.
- PRESSURE SET POINT TOLERANCE: ±7%
- MINIMUM BURST PRESSURE: 4500 PSI

**INCH**  
**(MILLIMETER)**

<b>MICO®</b>	
North Mankato, Minnesota USA	

COMPONENT AND SYSTEM RECOMMENDATIONS MADE BY MICO, INC ARE BASED ON INFORMATION SUPPLIED BY POTENTIAL USER AND/OR SYSTEM DESIGNER. THE POTENTIAL USER AND/OR DESIGNER MUST MAKE FINAL ACCEPTANCE AND APPROVAL OF COMPONENTS AND SYSTEM AFTER TESTING PERFORMANCE ON AN ACTUAL APPLICATION FOR WHICH SYSTEM WAS DESIGNED.

MICO, INC CLAIMS PROPRIETARY RIGHTS TO THE MATERIAL DISCLOSED IN THIS DOCUMENT. THIS DOCUMENT IS PROVIDED IN CONFIDENCE AND MAY NOT BE REPRODUCED OR DISCLOSED WITHOUT WRITTEN PERMISSION FROM MICO, INC. COPYRIGHT MICO, INC. ALL RIGHTS RESERVED.

SCALE 1.000	TITLE PRESSURE SWITCH
DWN JRA 2013-02-05	APVD PROD ENGRG DPD 2013-02-26
X NO	APVD ENGRG BSW 2013-02-06
SIZE A	DRAWING NUMBER 20-580-010
	CUSTOMER COPY
	REV E
	1 5