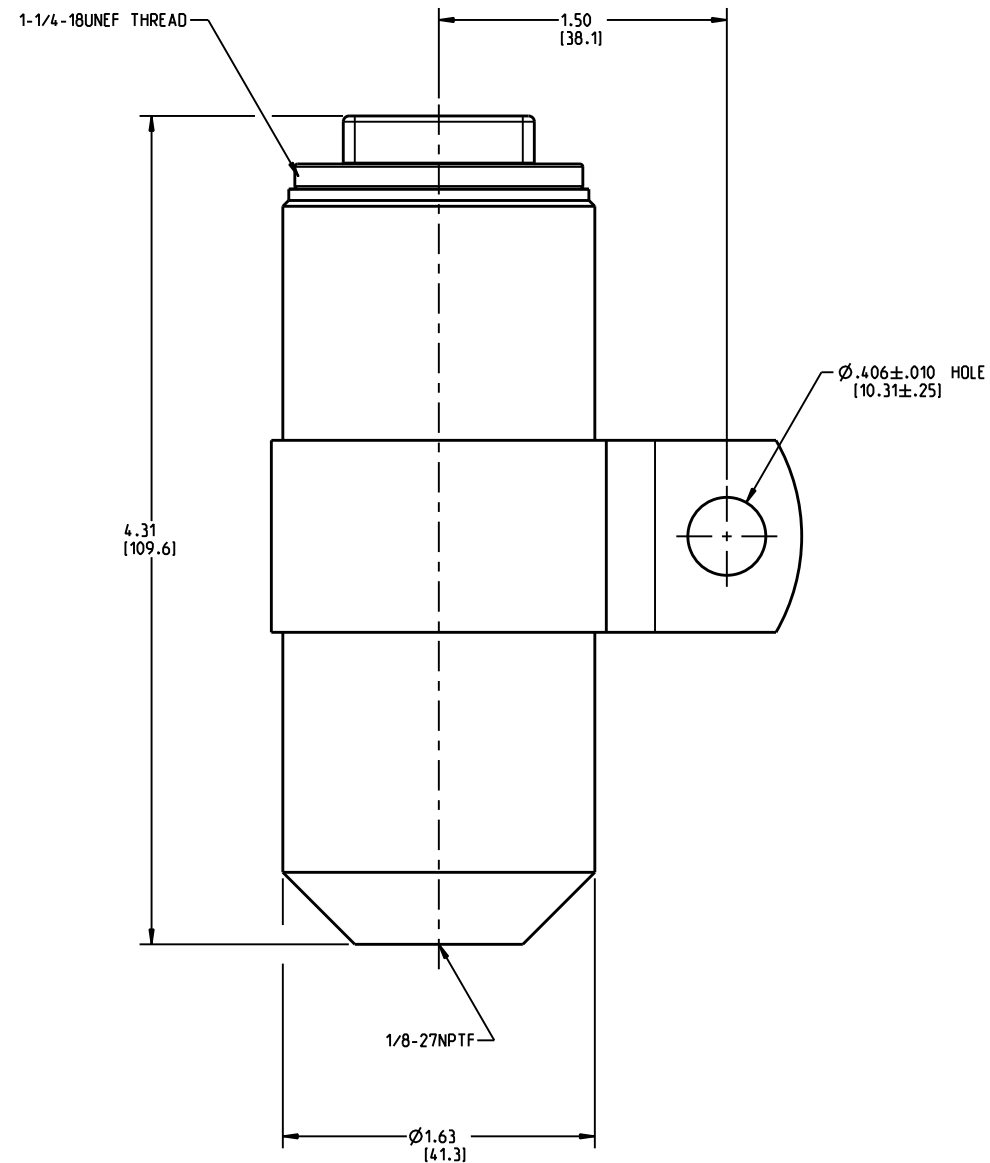


**CAUTION: USE WITH  
PETROLEUM BASE  
HYDRAULIC OIL ONLY**

**CAUTION: USE WITH  
DOT 3, 4 OR 5  
BRAKE FLUID ONLY**

APPLY APPROPRIATE LABEL



**INCH  
[MILLIMETER]**

**NOTES:**

- 1) CAPACITY: 3.3 CU. IN.
- 2) FOR USE WITH DOT 3, 4 OR 5 BRAKE FLUID OR HYDRAULIC OIL ONLY.
- 3) DIMENSIONS MAY VARY BETWEEN UNITS AND ARE FOR REFERENCE PURPOSES ONLY. MILLIMETER VALUES MAY NOT BE AN EXACT CONVERSION OF IN VALUES.
- 4) CUSTOMER IS RESPONSIBLE FOR APPLYING APPROPRIATE LABEL.

**MICO®**

North Mankato, Minnesota USA

COMPONENT AND SYSTEM RECOMMENDATIONS MADE BY MICO, INC ARE BASED ON INFORMATION SUPPLIED BY POTENTIAL USER AND/OR SYSTEM DESIGNER. THE POTENTIAL USER AND/OR DESIGNER MUST MAKE FINAL ACCEPTANCE AND APPROVAL OF COMPONENTS AND SYSTEM AFTER TESTING PERFORMANCE ON AN ACTUAL APPLICATION FOR WHICH SYSTEM WAS DESIGNED.

MICO, INC CLAIMS PROPRIETARY RIGHTS TO THE MATERIAL DISCLOSED IN THIS DOCUMENT. THIS DOCUMENT IS PROVIDED IN CONFIDENCE AND MAY NOT BE REPRODUCED OR DISCLOSED WITHOUT WRITTEN PERMISSION FROM MICO, INC. COPYRIGHT MICO, INC. ALL RIGHTS RESERVED.

SCALE 1.000	TITLE RESERVOIR		
DWN ETM 2013-09-25	APVD PROD ENGRG DPD 2013-10-15	SIZE B	DRAWING NUMBER 20-920-009
X NO .	APVD ENGRG BSW 2013-10-01		REV D
			CUSTOMER COPY