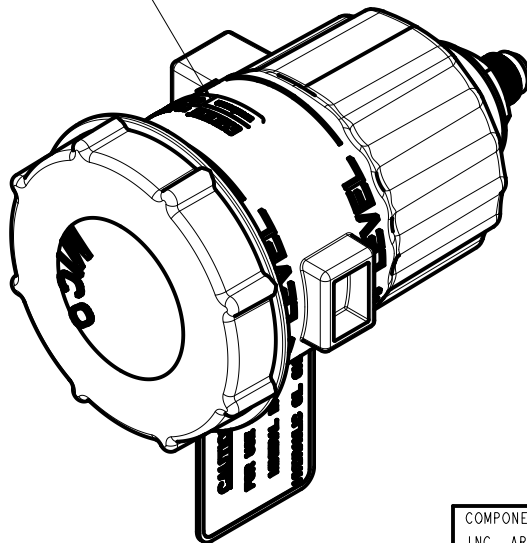
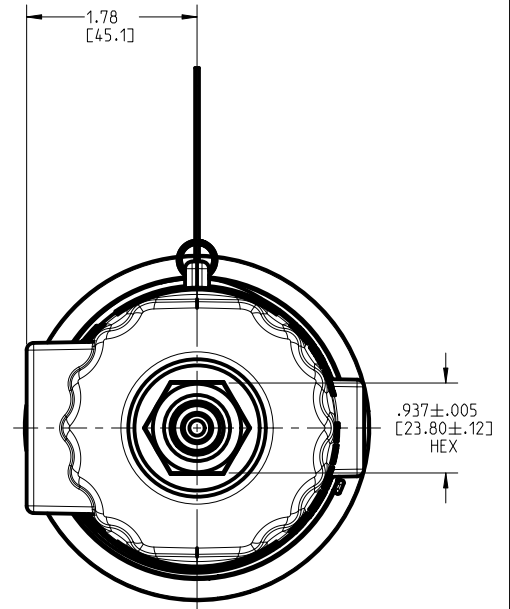
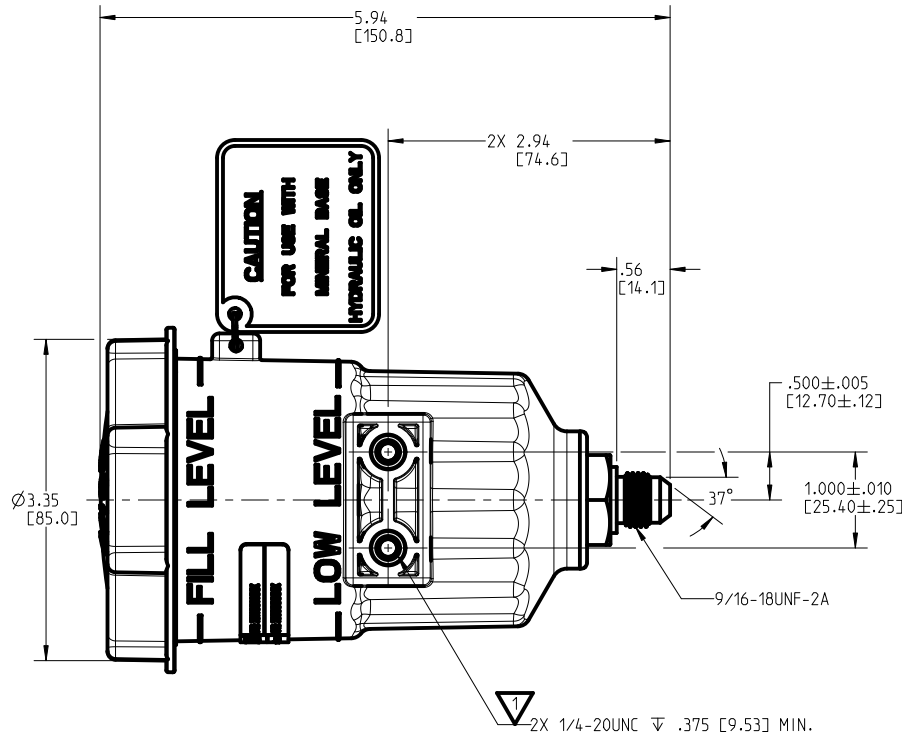


LOCATION OF PART NUMBER AND DATE CODE



NOTES:

- 1) FOR USE WITH MINERAL BASE HYDRAULIC OIL ONLY.
- 2) DIMENSIONS WITHOUT TOLERANCE MAY VARY BETWEEN UNITS AND ARE FOR REFERENCE PURPOSES ONLY. MILLIMETER VALUES MAY NOT BE AN EXACT CONVERSION OF INCH VALUES.
- 3) INSTALLATION OF RESERVOIR REQUIRES 1/4-20UNC THREADED SCREWS AND RECOMMENDED TORQUE IS 72-84 LBIN [8.1-9.5 Nm].
- 4) RESERVOIR CAPACITY 14.54 CUIN.

INCH
[MILLIMETER]



COMPONENT AND SYSTEM RECOMMENDATIONS MADE BY MICO, INC. ARE BASED ON INFORMATION SUPPLIED BY POTENTIAL USER AND/OR SYSTEM DESIGNER. THE POTENTIAL USER AND/OR DESIGNER MUST MAKE FINAL ACCEPTANCE AND APPROVAL OF COMPONENTS AND SYSTEM AFTER TESTING PERFORMANCE ON AN ACTUAL APPLICATION FOR WHICH SYSTEM WAS DESIGNED.

MICO, INC. CLAIMS PROPRIETARY RIGHTS TO THE MATERIAL DISCLOSED IN THIS DOCUMENT. THIS DOCUMENT IS PROVIDED IN CONFIDENCE AND MAY NOT BE REPRODUCED OR DISCLOSED WITHOUT WRITTEN PERMISSION FROM MICO, INC. COPYRIGHT MICO, INC. ALL RIGHTS RESERVED.

SCALE	TITLE			
0.500	RESERVOIR			
DWN JJH	APVD PROD ENGRG	SIZE	DRAWING NUMBER	REV
2017-03-09	DPD 2017-05-09	A	20-920-520	G
X NO	APVD ENGRG	CUSTOMER COPY		1 1
	BSW 2017-03-15			