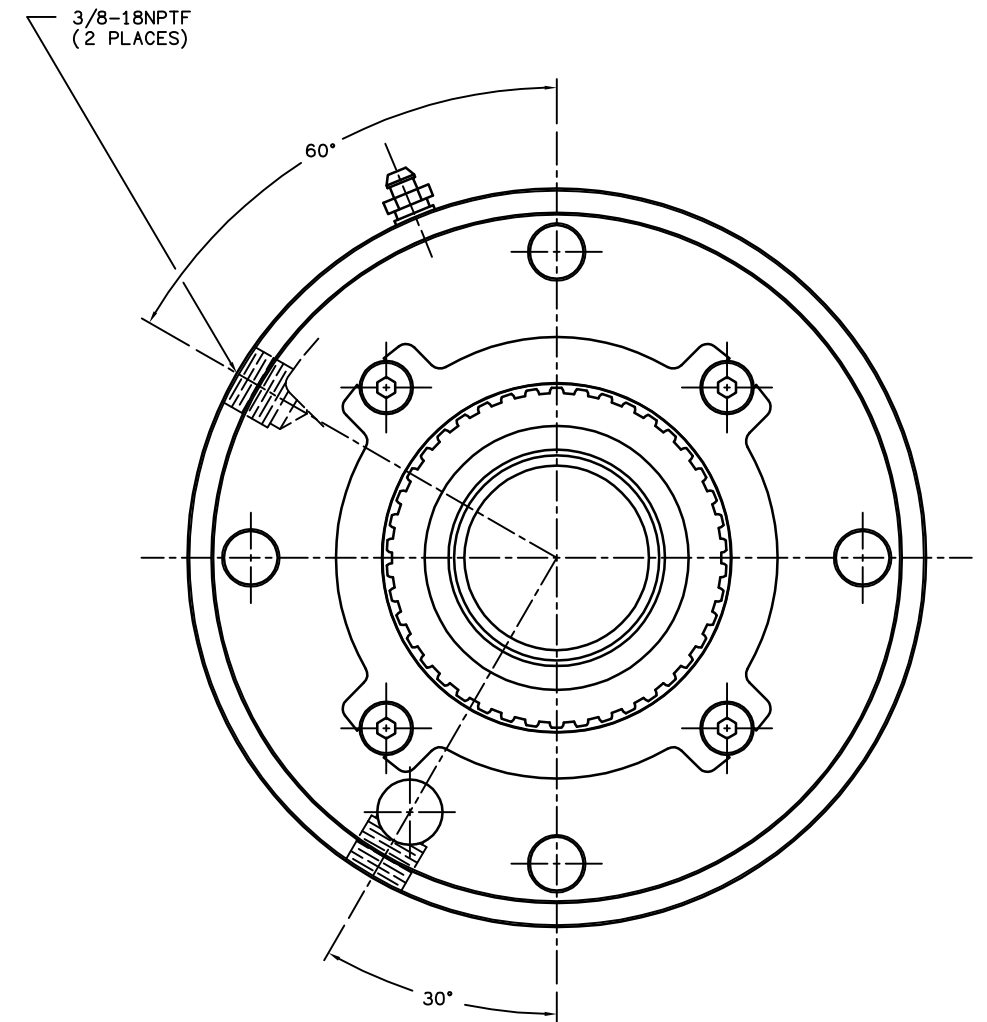
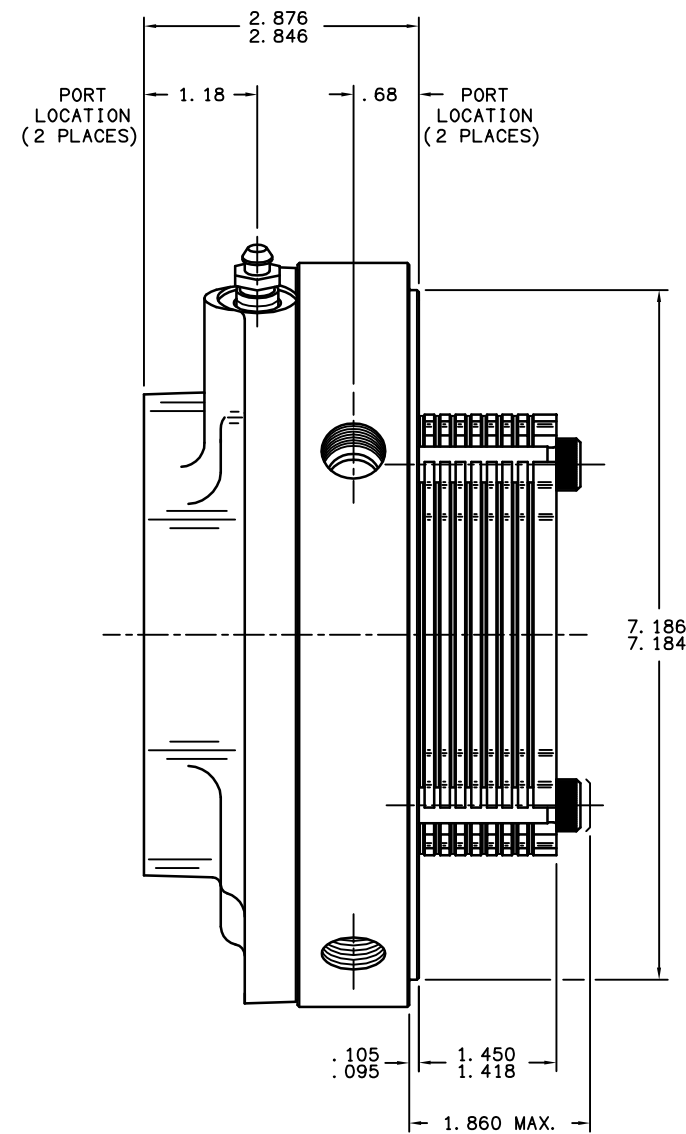
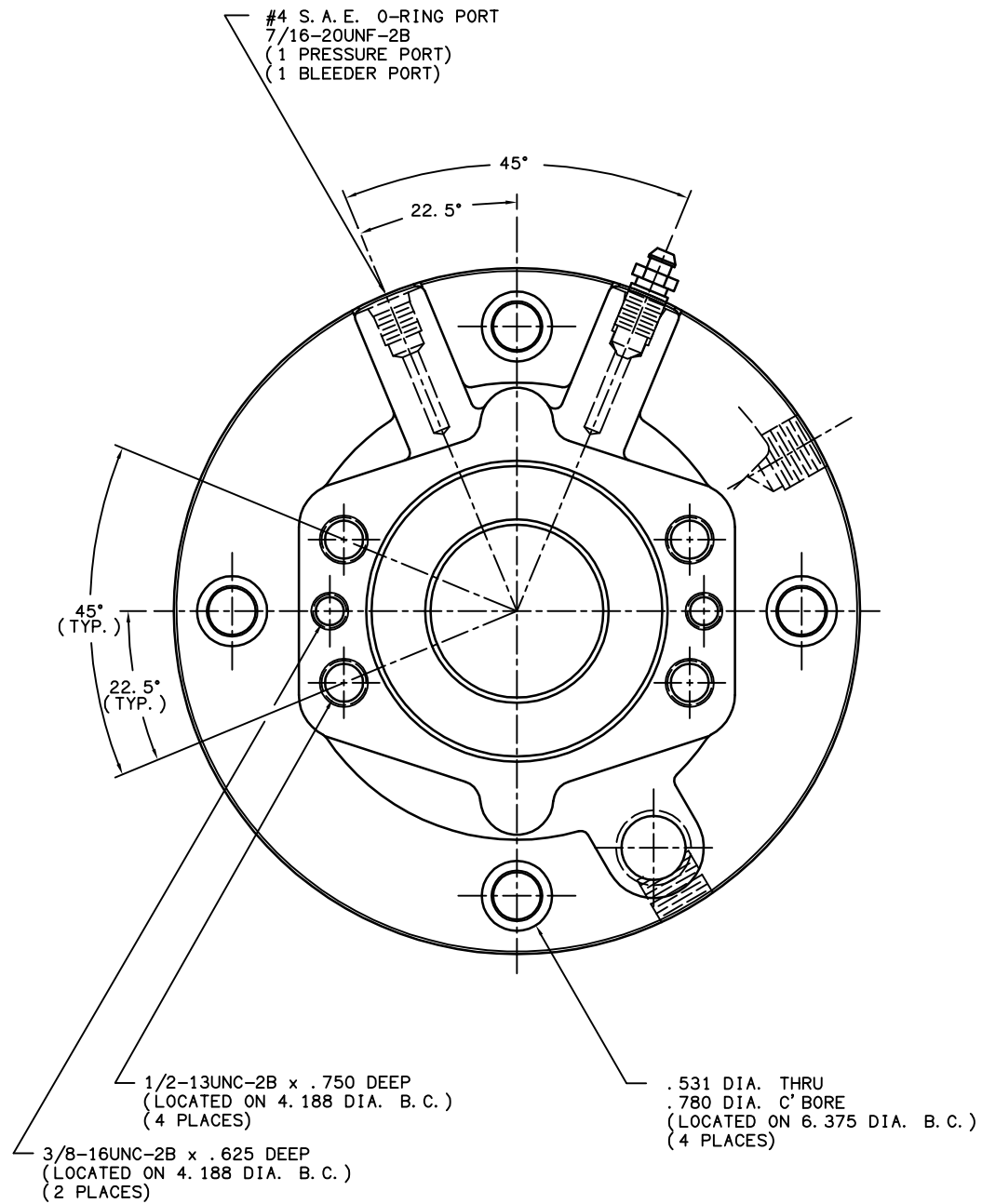


DRAWING NUMBER
21-100-022
NPI OR ECN NO
ECN000131



NOTES:

- 1) LINING REPAIR KIT P/N 12-501-136
- 2) O-RING REPAIR KIT P/N 12-501-134
- 3) SPRING REPAIR KIT P/N 12-501-265
- 4) LUBRICATE ALL STATORS AND THE PRIMARY WITH A RUST-PREVENTATIVE OIL BEFORE ASSEMBLING

SPECIFICATIONS:

TYPE: WET MULTIPLE DISC BRAKE, SPRING APPLY, HYDRAULIC RELEASE

TORQUE RATING: 2,500 IN. LBS. STATIC (BREAKAWAY) AT 0 P. S. I. BACK PRESSURE

RELEASE PRESSURE: 75 P. S. I. INITIAL, 95 P. S. I. FULL

MAXIMUM OPERATING PRESSURE: 3,000 P. S. I.

MAXIMUM SPEED: 3,900 R. P. M.

LINING MATERIAL: SINTERED BRONZE

APPROXIMATE WEIGHT: 26 LBS.

FOR USE WITH MINERAL BASE HYDRAULIC OIL ONLY

mico North Mankato, Minnesota USA				
SCALE 1:1	TITLE MF-825-Z BRAKE MODULE			
DWN KBS 2-1-90	APVD PROD ENGRG	SIZE B	DRAWING NUMBER 21-100-022	REV B
X NO	APVD ENGRG	B	CUSTOMER COPY	

COMPONENT AND SYSTEM RECOMMENDATIONS MADE BY MICO, INC ARE BASED ON INFORMATION SUPPLIED BY POTENTIAL USER AND/OR SYSTEM DESIGNER. THE POTENTIAL USER AND/OR DESIGNER MUST MAKE FINAL ACCEPTANCE AND APPROVAL OF COMPONENTS AND SYSTEM AFTER TESTING PERFORMANCE ON AN ACTUAL APPLICATION FOR WHICH SYSTEM WAS DESIGNED.

MICO, INC CLAIMS PROPRIETARY RIGHTS TO THE MATERIAL DISCLOSED IN THIS DOCUMENT. THIS DOCUMENT IS PROVIDED IN CONFIDENCE AND MAY NOT BE REPRODUCED OR DISCLOSED WITHOUT WRITTEN PERMISSION FROM MICO, INC. COPYRIGHT MICO, INC. ALL RIGHTS RESERVED.