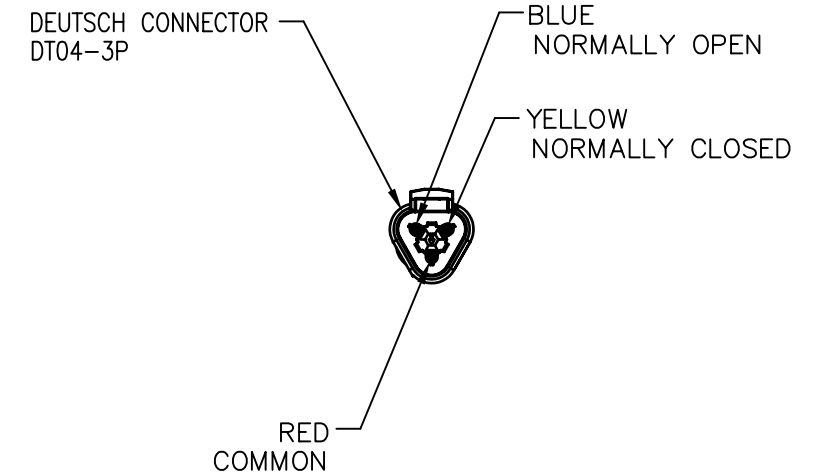
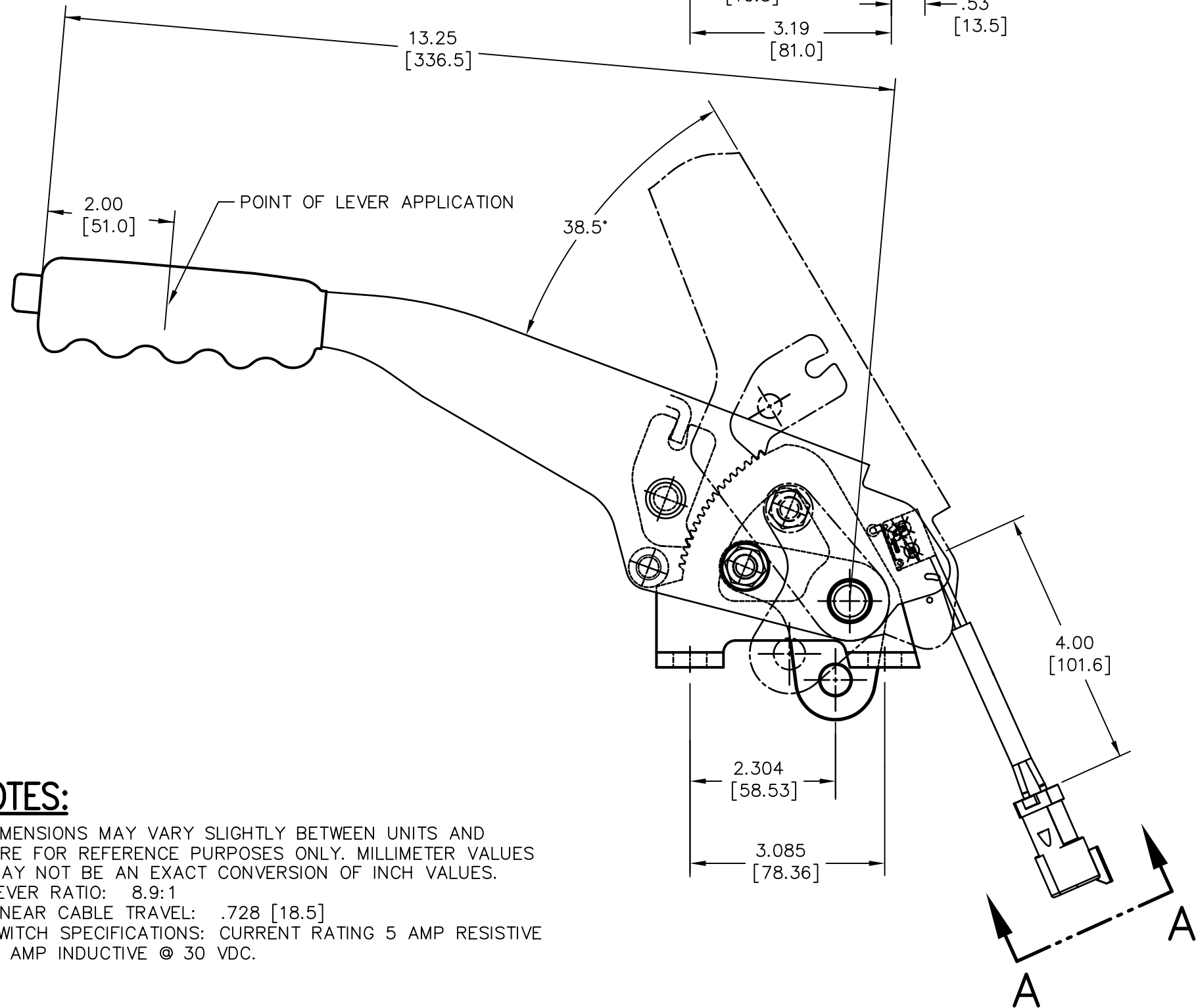
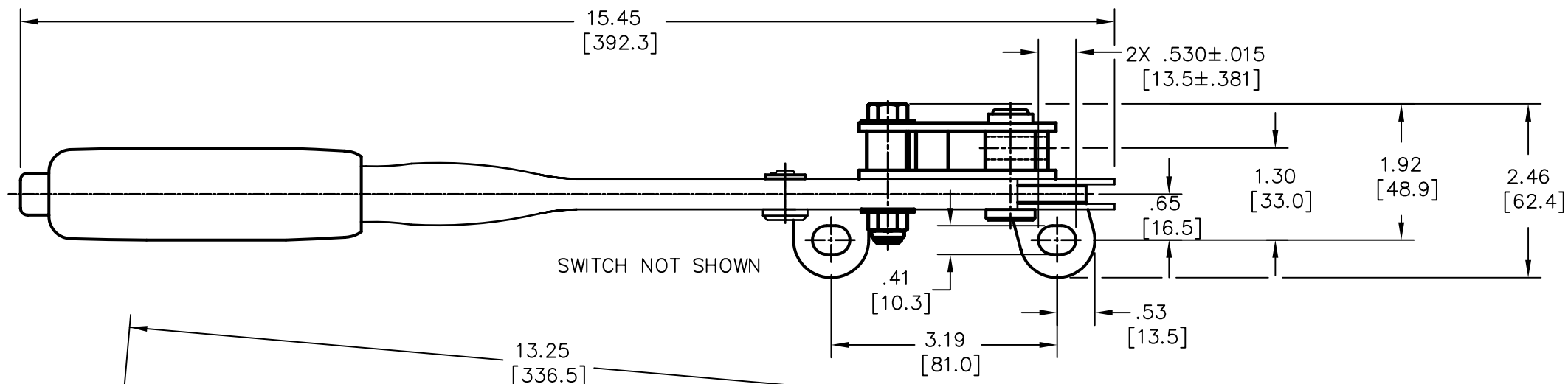


DRAWING NUMBER
32-140-021
NPI OR ECN NO
NPI D000012



VIEW A-A

**INCH
[MILLIMETER]**

MICO, INC CLAIMS PROPRIETARY RIGHTS TO THE MATERIAL DISCLOSED IN THIS DOCUMENT. THIS DOCUMENT IS PROVIDED IN CONFIDENCE AND MAY NOT BE REPRODUCED OR DISCLOSED WITHOUT WRITTEN PERMISSION FROM MICO, INC. COPYRIGHT MICO, INC. ALL RIGHTS RESERVED.

COMPONENT AND SYSTEM RECOMMENDATIONS MADE BY MICO, INC ARE BASED ON INFORMATION SUPPLIED BY POTENTIAL USER AND/OR SYSTEM DESIGNER. THE POTENTIAL USER AND/OR DESIGNER MUST MAKE FINAL ACCEPTANCE AND APPROVAL OF COMPONENTS AND SYSTEM AFTER TESTING PERFORMANCE ON AN ACTUAL APPLICATION FOR WHICH SYSTEM WAS DESIGNED.



SCALE 1/2	TITLE LEVER			
DWN JRA 03-10-04	APVD PROD ENGRG	SIZE B	DRAWING NUMBER 32-140-021	REV A
X NO X7692	APVD ENGRG SH		CUSTOMER COPY	

NOTES:

- 1) DIMENSIONS MAY VARY SLIGHTLY BETWEEN UNITS AND ARE FOR REFERENCE PURPOSES ONLY. MILLIMETER VALUES MAY NOT BE AN EXACT CONVERSION OF INCH VALUES.
- 2) LEVER RATIO: 8.9:1
- 3) LINEAR CABLE TRAVEL: .728 [18.5]
- 4) SWITCH SPECIFICATIONS: CURRENT RATING 5 AMP RESISTIVE 3 AMP INDUCTIVE @ 30 VDC.