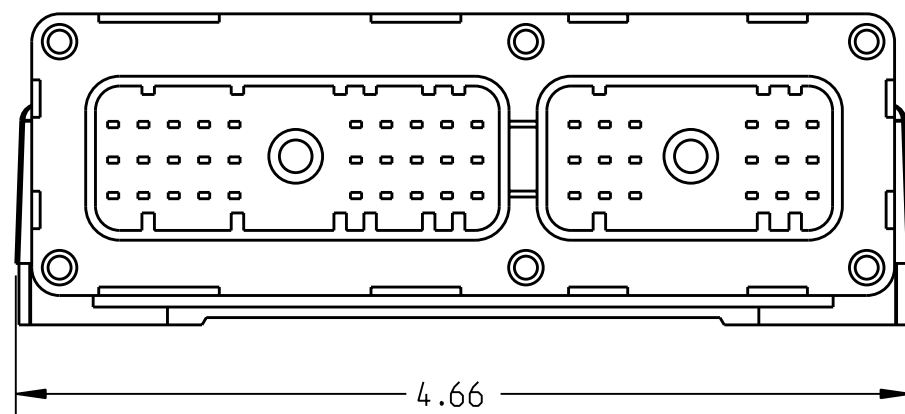
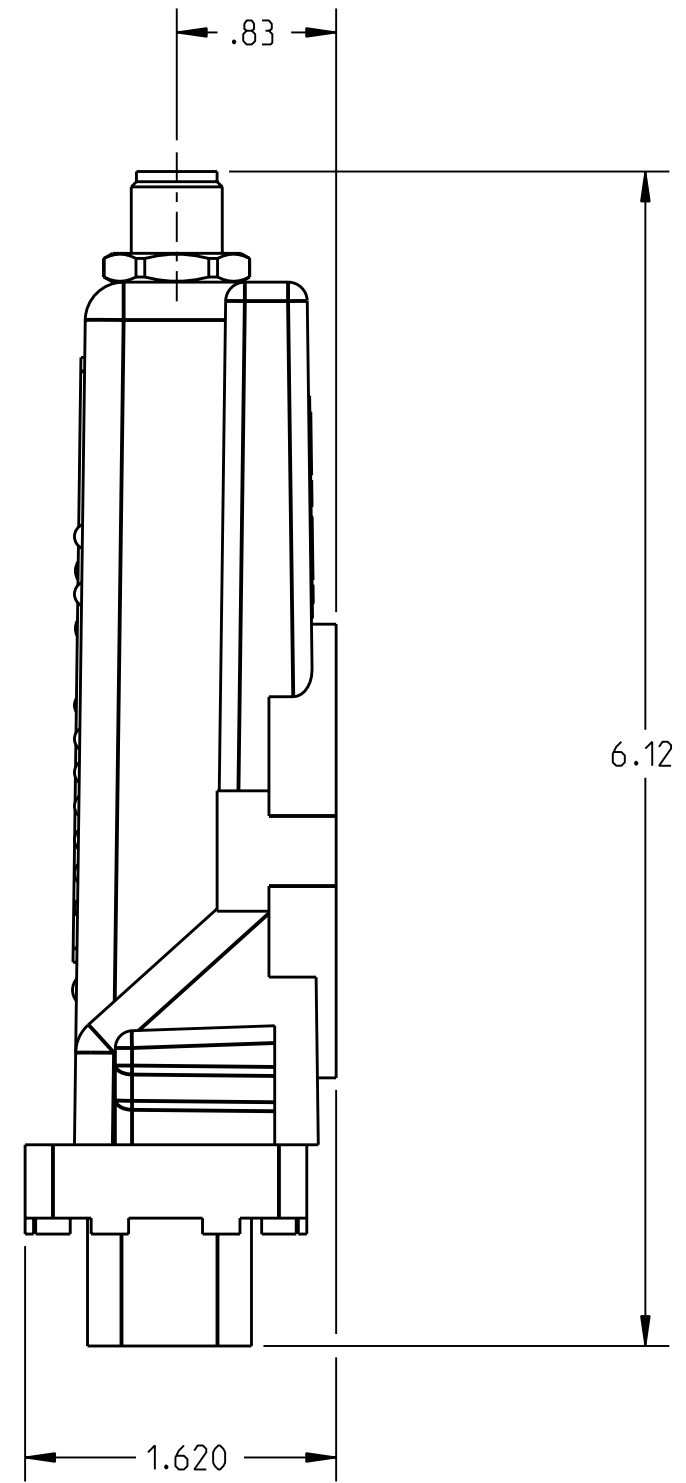
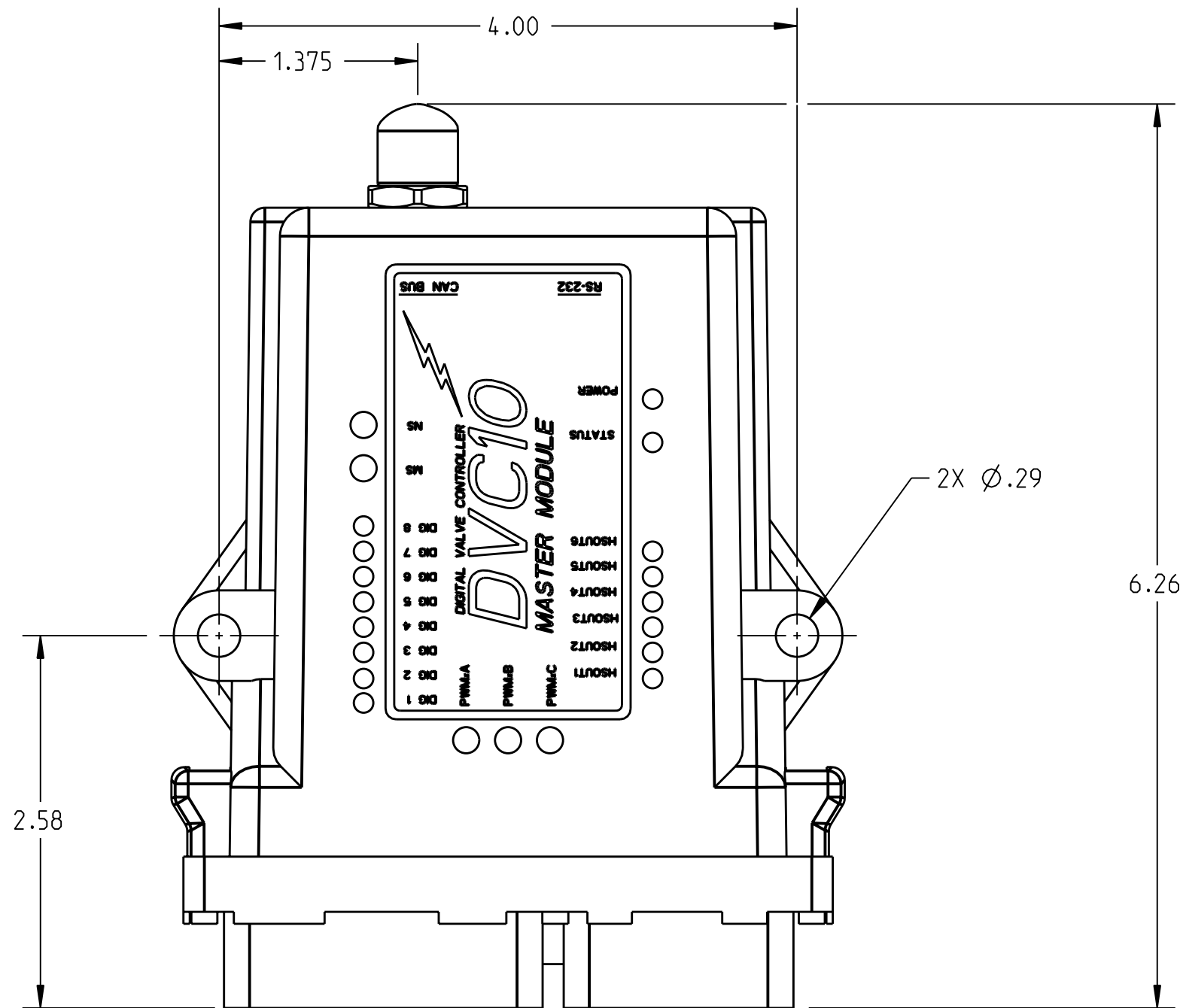


DRAWING NUMBER  
32-583-001  
NPI OR ECN NO  
NPI A000095



COMPONENT AND SYSTEM RECOMMENDATIONS MADE BY MICO, INC. ARE BASED ON INFORMATION SUPPLIED BY POTENTIAL USER AND/OR SYSTEM DESIGNER. THE POTENTIAL USER AND/OR DESIGNER MUST MAKE FINAL ACCEPTANCE AND APPROVAL OF COMPONENTS AND SYSTEM AFTER TESTING PERFORMANCE ON AN ACTUAL APPLICATION FOR WHICH SYSTEM WAS DESIGNED.

MICO, INC. CLAIMS PROPRIETARY RIGHTS TO THE MATERIAL DISCLOSED IN THIS DOCUMENT. THIS DOCUMENT IS PROVIDED IN CONFIDENCE AND MAY NOT BE REPRODUCED OR DISCLOSED WITHOUT WRITTEN PERMISSION FROM MICO, INC. COPYRIGHT MICO, INC. ALL RIGHTS RESERVED.

**mico**  
North Mankato, Minnesota USA

TITLE  
DIGITAL VALVE CONTROLLER

SCALE 1.000	APVD PROD ENGRG GAJ	DRAWING NUMBER 32-583-001	REV A
DRN MAP 22-Apr-03	APVD ENGRG STR	CUSTOMER COPY "	