



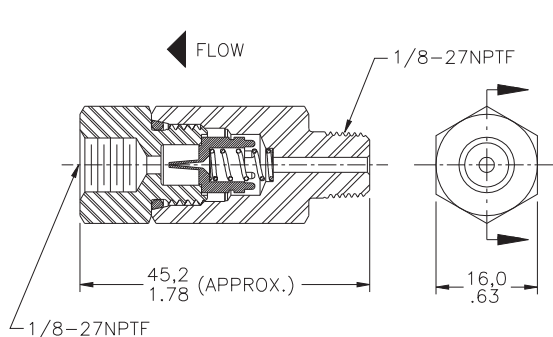
a **WABCO** company

PRODUCT BULLETIN

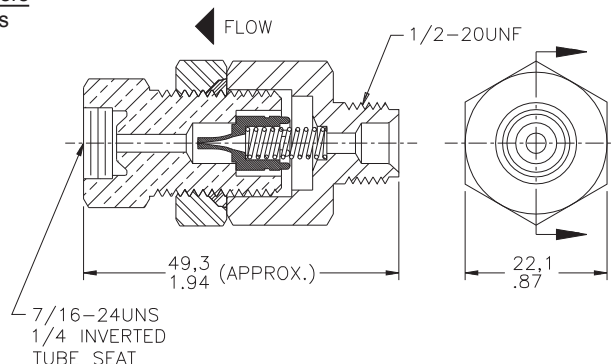
In-Line Residual Check Valves

DESCRIPTION

The MICO® Residual Check Valves allow free flow of fluid in one direction of a hydraulic system, while maintaining residual fluid pressure from the opposing direction. Commonly located at the master cylinder outlet ports, these valves will hold a slight pressure in the brake lines when the brake pedal is not applied. The preload line pressure helps to engage drum and shoe brakes more quickly.



millimeters
inches



Model Number	Fluid Type	Pressure Setting	
		bar	PSI
20-080-003	BF	1.0 ^{+0.6} _{-0.5}	15 ⁺¹ ₋₇
20-080-073	HO	1.0 ^{+0.6} _{-0.5}	15 ⁺¹ ₋₇

BF = DOT 3, 4, 5 and 5.1 brake fluid.
HO = mineral base hydraulic oil.

Model Number	Fluid Type	Pressure Setting	
		bar	PSI
20-080-093	BF	0.3 ^{+0.1} _{-0.1}	4 ⁺² ₋₁

BF = DOT 3, 4, 5 and 5.1 brake fluid.
HO = mineral base hydraulic oil.

This document is intended to provide general information about MICO Products. MICO, Inc. has attempted to present accurate information about MICO Products in its catalogs, brochures, and other printed materials. MICO, Inc. is not responsible for errors, inaccuracies, or inconsistencies that may exist in any catalog brochure or other printed materials or any damages arising from or related to reliance on information in them. Materials and specifications for MICO Products set forth in catalogs, brochures, and other printed materials are subject to change without notice or obligation. Refer to www.mico.com for the most recent versions of our literature. If you have any questions concerning MICO Products, please contact MICO, Inc. All MICO Products and service are sold and provided subject to the MICO Warranty at www.mico.com in effect on the date of sale or supply.

MICO is a trademark and registered trademark of MICO, Inc. MICO is registered in the U.S. Patent and Trademark Office as well as in Australia, Canada, Indonesia, Japan, Peoples Republic of China, South Korea, and the European Community.



a **WABCO** company

MICO, Inc.

1911 Lee Boulevard
North Mankato, MN U.S.A. 56003-2507
Tel: +1 507 625 6426 Fax: +1 507 625 3212