



PRODUCT BULLETIN

Fluid Reservoirs for Direct or Remote Mounting

MICO offers two reservoir designs:



Polyallomer Reservoir

- Translucent for easy view of fluid level
- Diaphragm seals out environmental contaminants
- Adaptable outlet fittings
- Sediment trap inherent to design
- Easy screw on and off filler cap
- 14.5 in³ usable fluid capacity
- For use with hydraulic oil and brake fluid
(contact MICO regarding phosphate ester fluids)



Metal Reservoir

- Rugged anodized aluminum housing
- Easy screw on and off filler cap with baffle and breather
- 3.3 in³ usable fluid capacity
- Compact design for ease of mounting
- Adaptable outlet fittings
- For use with hydraulic oil and brake fluid
(contact MICO regarding phosphate ester fluids)

SPECIFICATIONS

Polyallomer Reservoirs

Model Number	Fluid Type	Outlet Fitting	Mounting Bracket	Diaphragm Number
20-920-500	HO	9/16-18UNF-2A	Yes	32-490-009
20-920-520	HO	9/16-18UNF-2A	No	32-490-009
20-920-512	HO	1/4-18NPTF (internal)	Yes	32-490-009
20-920-514	HO	1/4-18NPTF (internal)	No	32-490-009
20-920-505	BF	9/16-18UNF-2A	Yes	32-490-010
20-920-509	BF	1/4-18NPTF (internal)	Yes	32-490-010
20-920-515	BF	1/4-18NPTF (internal)	No	32-490-010

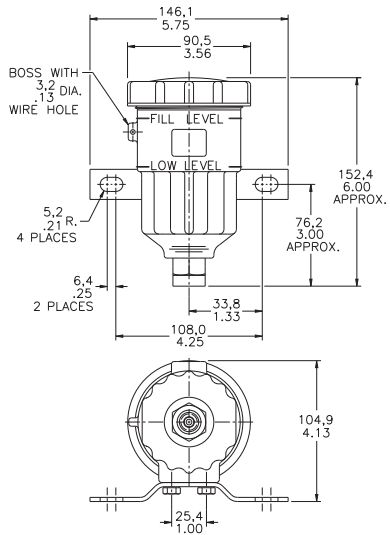
HO = mineral base hydraulic oil
BF = DOT 3, 4, 5, and 5.1 brake fluid

Metal Reservoirs

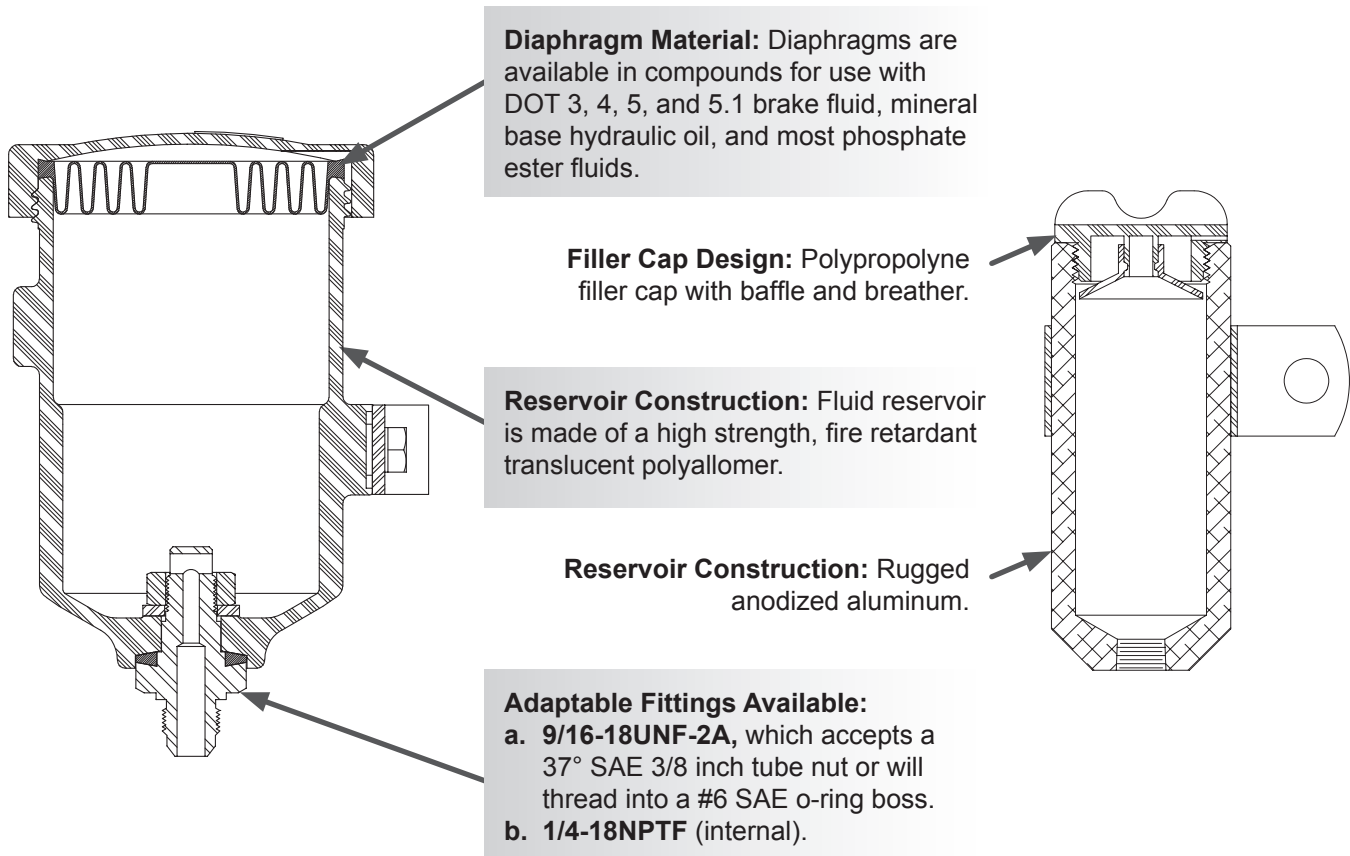
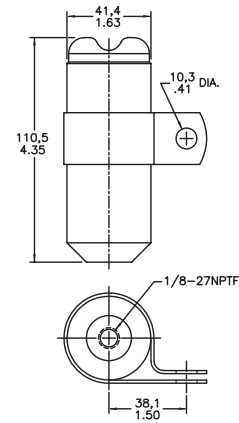
Model Number	Fluid Type	Mounting Bracket
**20-920-002	BF or HO	No
*20-920-006	BF or HO	Yes
20-920-009	BF or HO	Yes

* Includes two 1/4-27NPTF x 1/4 tube fittings
** Includes 1/8-27NPTF male 90° elbow fitting
HO = mineral base hydraulic oil
BF = DOT 3, 4, 5 and 5.1 brake fluid

Dimensional Information



millimeters
inches



This document is intended to provide general information about MICO Products. MICO, Inc. has attempted to present accurate information about MICO Products in its catalogs, brochures, and other printed materials. MICO, Inc. is not responsible for errors, inaccuracies, or inconsistencies that may exist in any catalog, brochure, or other printed materials or any damages arising from or related to reliance on information in them. Materials and specifications for MICO Products set forth in catalogs, brochures, and other printed materials are subject to change without notice or obligation. Refer to www.mico.com for the most recent versions of our literature. If you have any questions concerning MICO Products, please contact MICO, Inc. All MICO Products and service are sold and provided subject to the MICO Warranty at www.mico.com in effect on the date of sale or supply.

MICO is a trademark and registered trademark of MICO, Inc. MICO is registered in the U.S. Patent and Trademark Office as well as in Australia, Canada, Indonesia, Japan, Peoples Republic of China, South Korea, and the European Community.

MICO®

MICO, Inc.

1911 Lee Boulevard

North Mankato, MN U.S.A. 56003-2507

Tel: +1 507 625 6426 Fax: +1 507 625 3212