



PRODUCT BULLETIN

Pressure Switches (high pressure - piston style)

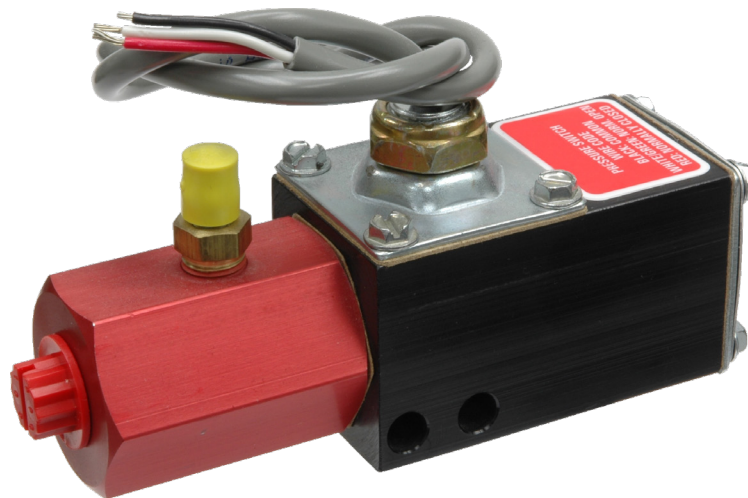
DESCRIPTION

The MICO® Pressure Switches are designed specifically for use in hydraulic applications to monitor hydraulic pressure and either open or close an electrical contact at a predetermined pressure.

The piston style pressure switch can be wired for use in hydraulic applications where the electrical contacts are in the normally open (n/o) condition, normally closed (n/c) condition, or both. The three wire lead to the single pole double throw internal snap switch contains a black wire which is the common and always used, a green wire used for a normally open contact, and a red wire used for a normally closed contact. This switch can sense hydraulic pressure to 5000 psi.

FEATURES

- Rugged heavy-duty industrial construction
- Pressure setting range from 250 PSI to 3500 PSI
- Resistant to high pressure spikes
- 10 million mechanical cycle life
- Fluid compatibility to suit most applications
- Optional gold contacts, lead lengths, and port sizes



This document is intended to provide general information about MICO Products. MICO, Inc. has attempted to present accurate information about MICO Products in its catalogs, brochures, and other printed materials. MICO, Inc. is not responsible for errors, inaccuracies, or inconsistencies that may exist in any catalog, brochure, or other printed materials or any damages arising from or related to reliance on information in them. Materials and specifications for MICO Products set forth in catalogs, brochures, and other printed materials are subject to change without notice or obligation. Refer to www.mico.com for the most recent versions of our literature. If you have any questions concerning MICO Products, please contact MICO, Inc. All MICO Products and service are sold and provided subject to the MICO Warranty at www.mico.com in effect on the date of sale or supply.

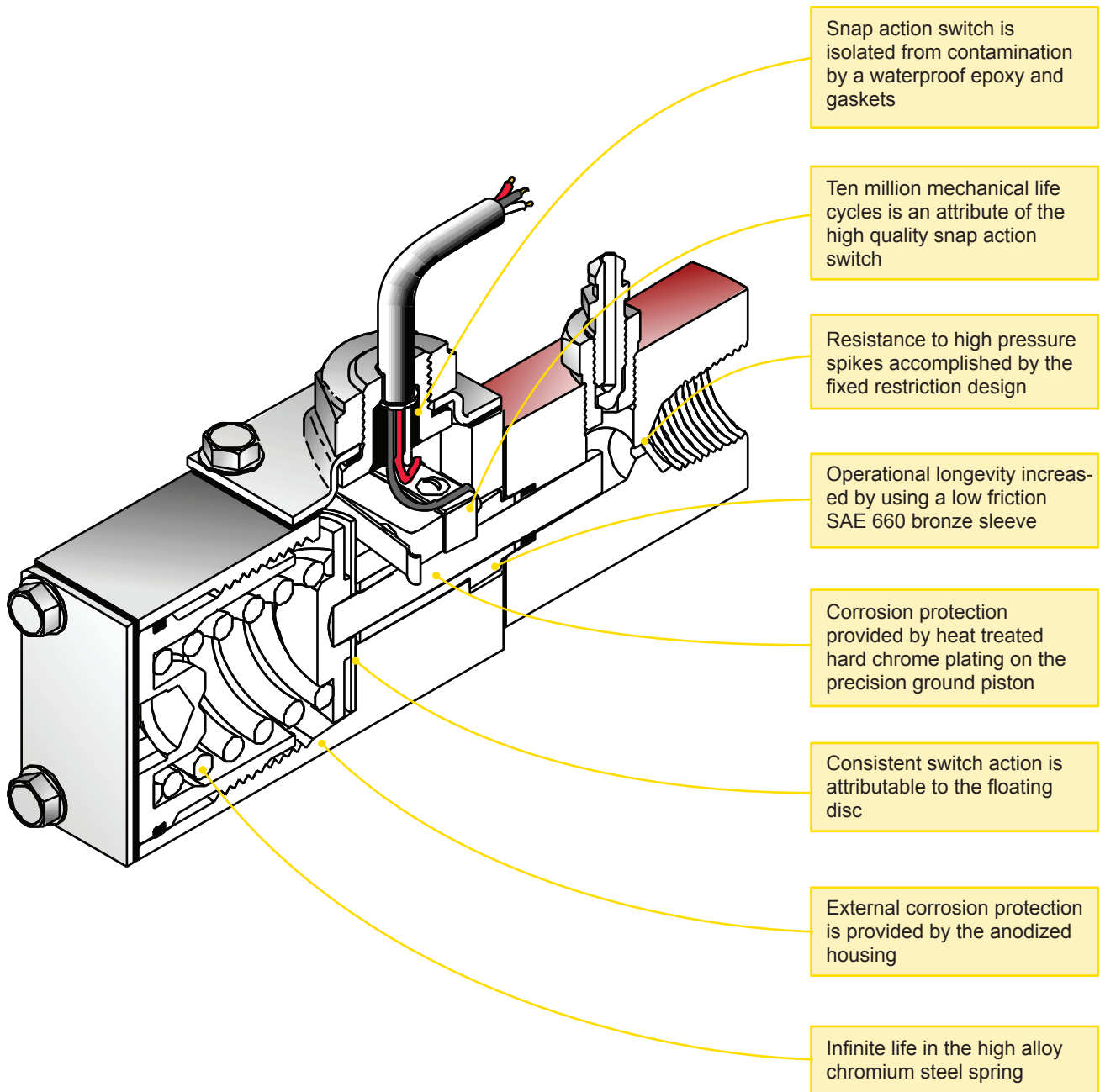
PRINCIPLES OF OPERATION

The MICO® Pressure Switch is a high pressure surge resistant switch specially designed for hydraulic applications when an electrical connection or disconnection is desired at a predetermined pressure.

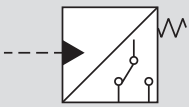
The pressure switch contains a single-pole, double-throw (SPDT) snap action switch that is controlled by a pressurized piston and counteracting spring.

Fluid pressure is used to actuate a piston, which in turn forces against a spring retainer. As the pressure increases the retainer compresses the spring. When this occurs the floating disc moves away from the spring lever of the snap action switch, thus, contact transfer results.

The factory adjusted preload on the spring determines the switch pressure set point.



SPECIFICATIONS

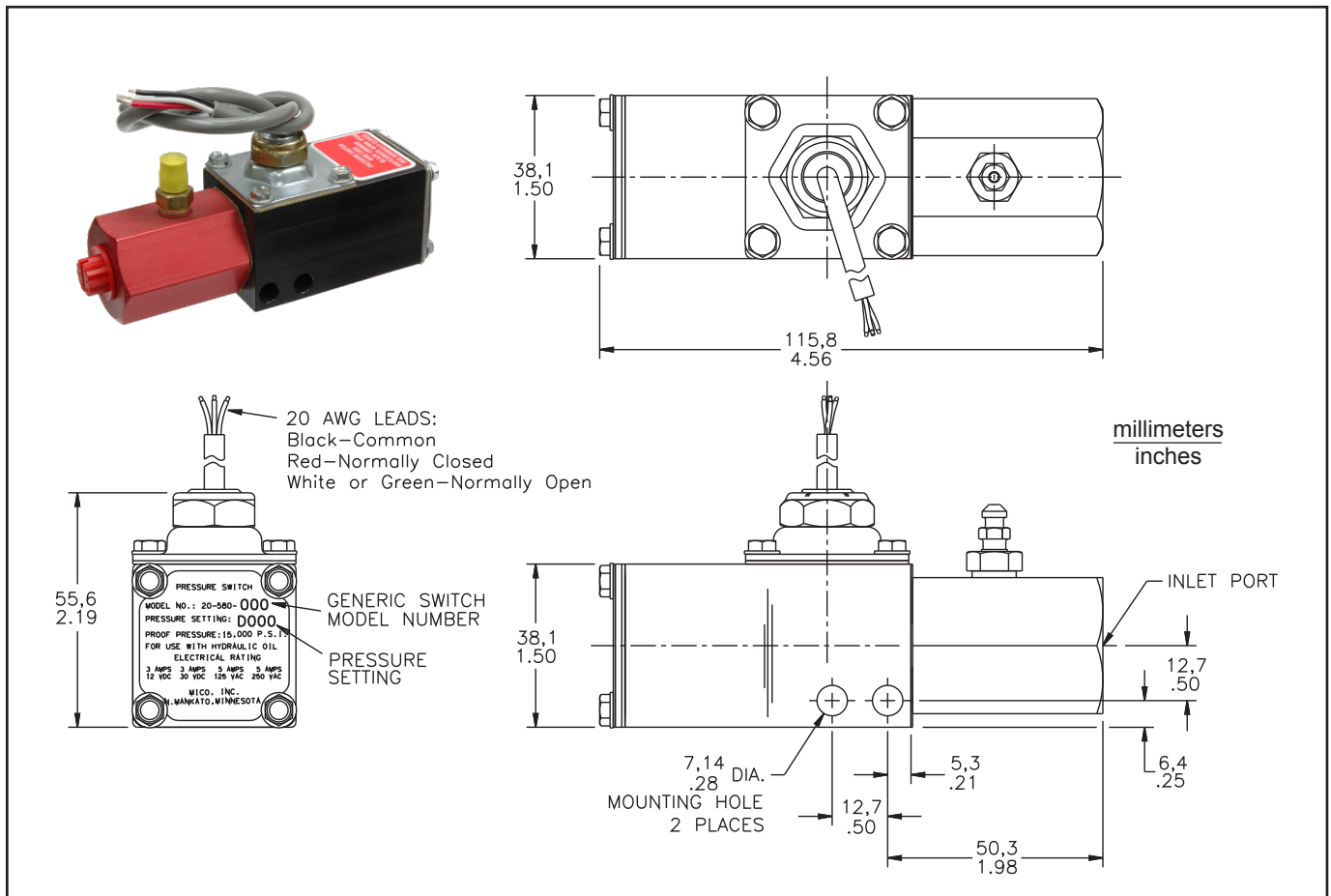
Model Number	Seal Type	Pressure Set Point Range		Wire Lead Length	Inlet Port	Symbol
		Rising Pressure (PSI)	Falling Pressure (PSI)			
20-580-038	NBR	250-1050	200-850	16 in	1/4-18NPTF	NOTE Contact MICO, Incorporated for information regarding: other inlet port sizes, lead wire lengths, pressure set points higher than 3500 PSI, and gold flashing over silver contacts for low current applications.
20-580-039	EPDM	750-1850	550-1650	16 in	1/4-18NPTF	
20-580-040	NBR	750-1850	550-1650	16 in	1/4-18NPTF	
20-580-041	EPDM	1100-3500	900-3300	16 in	1/4-18NPTF	
20-580-042	NBR	1100-3500	900-3300	16 in	1/4-18NPTF	
20-580-049	EPDM	250-1050	200-850	16 in	1/4-18NPTF	
20-580-069	NBR	1100-3500	900-3300	16 in	#4 SAE	
20-580-076	NBR	250-1050	200-850	60 in	1/4-18NPTF	
20-580-078	NBR	1100-3500	900-3300	60 in	1/4-18NPTF	
20-580-080	NBR	750-1850	550-1650	60 in	1/4-18NPTF	

NBR - compatible with most mineral base fluids
 EPDM - compatible with most automotive brake fluids

GENERAL INFORMATION:

Pressure set point tolerance: ±7%
Dead band average: 8% to 22% of pressure set point, can vary depending on fluid media and temperature
Maximum recommended system pressure: 5000 PSI
Minimum proof pressure: 15,000 PSI
Minimum burst pressure: 25,000 PSI
Unit weight: Approximately 17 ounces
Wire code: Black-common, red-normally closed, white or green-normally open

Contact form and current rating: Snap action switch, SPDT contacts, UL listed, 5 A @ 125/250 Vac, 3 A @ 12/30 Vdc (inductive), 5 A @ 12/30 Vdc (resistive)
Fluid temperature range: NBR seal models -45 °F (-43 °C) to 220 °F (104 °C), EPDM seal models -70 °F (-57 °C) to 300 °F (149 °C)
Material exposed to fluid: Anodized aluminum, brass bleeder plug, hard chrome plated piston, seal ring and Hytrel® back-up ring



ADDITIONAL PRESSURE SWITCHES

The MICO® Pressure Switches are available for hydraulic applications when an electrical connection or disconnection is desired at a predetermined pressure.

These switches are available with normally open or normally closed contacts.

GENERAL INFORMATION:

Pressure set point tolerance: $\pm 7\%$

Dead band average: 10% to 20% of pressure set point

Maximum recommended system pressure: 2000 PSI

Minimum proof pressure: 2500 PSI

Minimum burst pressure: 4500 PSI

Unit weight: Approximately 6 ounces

Wiring connection: 1/4 inch quick connect

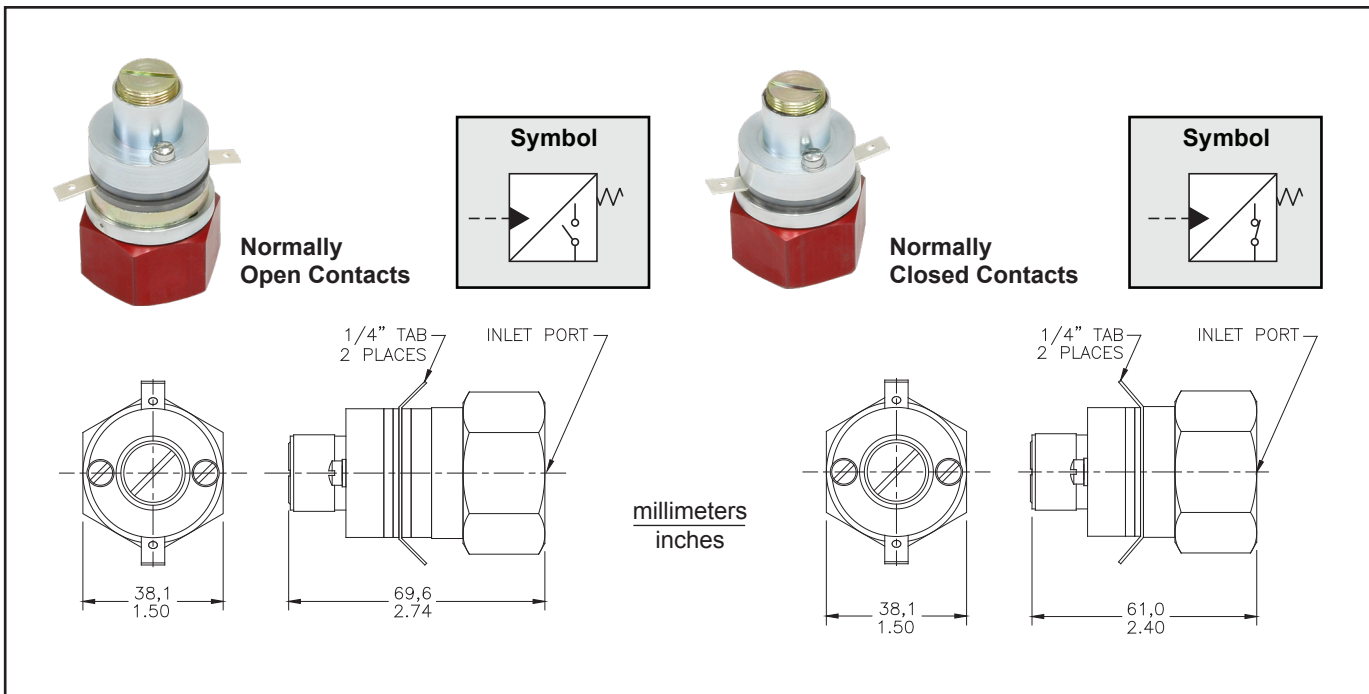
Contact form: SPST normally open or normally closed

Current rating: 5 A @ 125/250 Vac, 20 A @ 12 Vdc

Model Number	Seal Type	Pressure Set Point Range		Contacts	Inlet Port
		Rising Pressure (PSI)	Falling Pressure (PSI)		
20-580-008	EPDM	250-800	250-600	Normally Closed	1/8-27NPTF
20-580-009	EPDM	250-800	250-600	Normally Open	1/8-27NPTF
20-580-010	EPDM	800-1200	600-1000	Normally Open	1/8-27NPTF
20-580-016	NBR	250-800	250-600	Normally Closed	1/8-27NPTF
20-580-019	EPDM	800-1200	600-1000	Normally Closed	1/8-27NPTF
20-580-021	NBR	800-1200	600-1000	Normally Open	1/8-27NPTF
20-580-023	NBR	800-1200	600-1000	Normally Closed	1/8-27NPTF
20-580-024	NBR	250-800	250-600	Normally Open	1/8-27NPTF

NBR - compatible with mineral base fluids

EPDM - compatible with most automotive brake fluids



MICO is a trademark and registered trademark of MICO, Inc. MICO is registered in the U.S. Patent and Trademark Office as well as in Australia, Canada, Indonesia, Japan, Peoples Republic of China, South Korea, and the European Community.



MICO, Inc.

1911 Lee Boulevard

North Mankato, MN U.S.A. 56003-2507

Tel: +1 507 625 6426 Fax: +1 507 625 3212