

TANDEM MASTER CYLINDER

MICO[®]

a **WABCO** company

Service Instructions

▲ CAUTION

If your vehicle is equipped with disc brakes, residual check valves (items 8, 9, & 10) must be removed.
If your vehicle is equipped with drum brakes, residual check valves must be used.

DISASSEMBLY

Refer to Figures 1 and 2)

1. Remove the master cylinder from the vehicle. Drain fluid from the master cylinder.
2. Remove screw (12) from housing (4). Remove o-ring (11) from screw (12). **NOTE: Not all models use screw (12) or o-ring (11).**
3. Remove retaining ring (1) from housing (4).
4. Remove piston assemblies (2 & 3) from housing (4). **NOTE: Be careful not to scratch or mar housing bore.**
5. Remove hook (7), cover (6), and diaphragm (5) from housing (4).
6. Use a #6 self tapping screw and washer to remove two inserts (8). See Figure 2. Remove two valves (9) and two springs (10). **NOTE: Not all models use springs (10), valves (9), or inserts (8).**

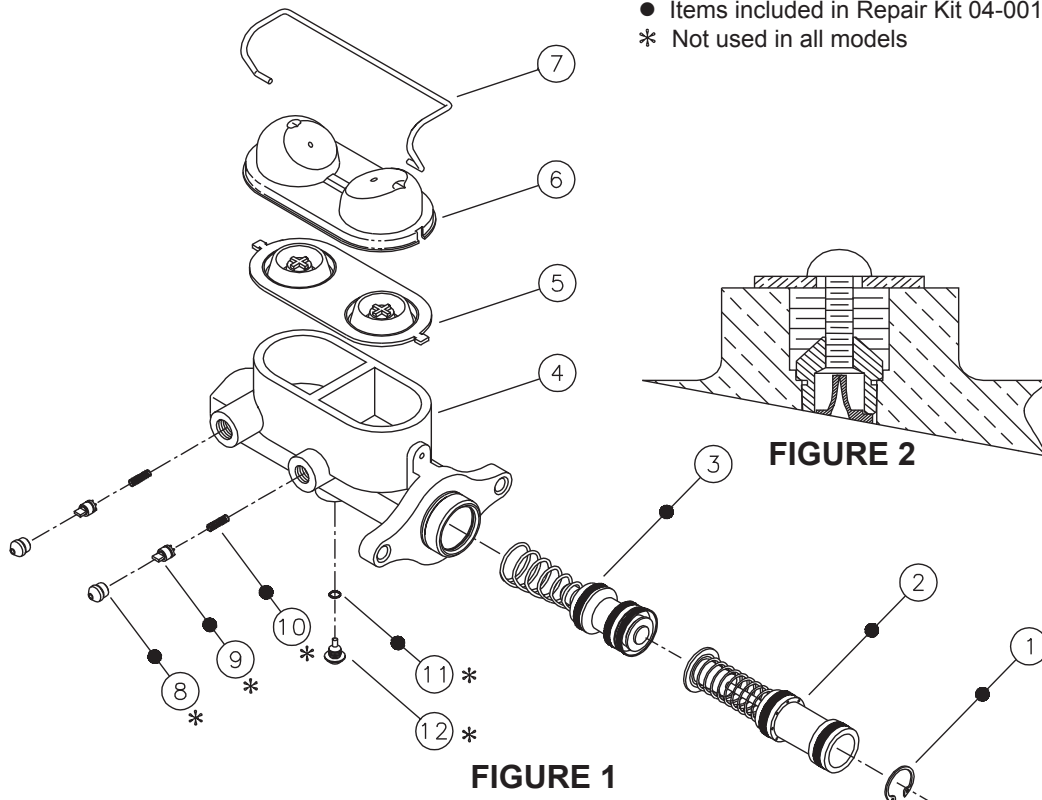
ASSEMBLY

(Refer to Figure 1)

LUBRICATE ALL RUBBER COMPONENTS FROM REPAIR KIT WITH CLEAN TYPE FLUID USED IN THE SYSTEM.

1. Clean all parts thoroughly before assembling.
2. Install new piston assemblies (2 & 3) and new retaining ring (1) in housing (4). Note the order and direction of piston assemblies (2 & 3). **NOTE: Be careful not to scratch or mar piston assemblies or housing bore.**
3. Install two new springs (10), new valves (9), and new inserts (8) in housing (4). Use a wood or brass dowel to tap new inserts (8) into housing until they bottom out in the bore. **NOTE: Not all models use springs (10), valves (9), or inserts (8).**
4. Install diaphragm (5), cover (6), and hook (7), on housing (4).
5. Install new o-ring (11) on screw (12). Install screw (12) in housing and torque 2.8-5.1 N·m (25-45 in·lb). **NOTE: Not all models use screw (12) or o-ring (11).**

- Items included in Repair Kit 04-001-015
- * Not used in all models



This document is intended to provide general information about MICO Products. MICO, Inc. has attempted to present accurate information about MICO Products in its catalogs, brochures, and other printed materials. MICO, Inc. is not responsible for errors, inaccuracies, or inconsistencies that may exist in any catalog, brochure, or other printed materials or any damages arising from or related to reliance on information in them. Materials and specifications for MICO Products set forth in catalogs, brochures, and other printed materials are subject to change without notice or obligation. Refer to www.mico.com for the most recent versions of our literature. If you have any questions concerning MICO Products, please contact MICO, Inc. All MICO Products and service are sold and provided subject to the MICO Warranty at www.mico.com in effect on the date of sale or supply.

MICO is a trademark and registered trademark of MICO, Inc. MICO is registered in the U.S. Patent and Trademark Office as well as in Australia, Canada, Indonesia, Japan, Peoples Republic of China, South Korea, and the European Community.



MICO, Inc.

1911 Lee Boulevard / North Mankato, MN U.S.A. 56003-2507
Tel: +1 507 625 6426 Fax: +1 507 625 3212