

# MASTER CYLINDER

# MICO®

a **WABCO** company

## Service Instructions

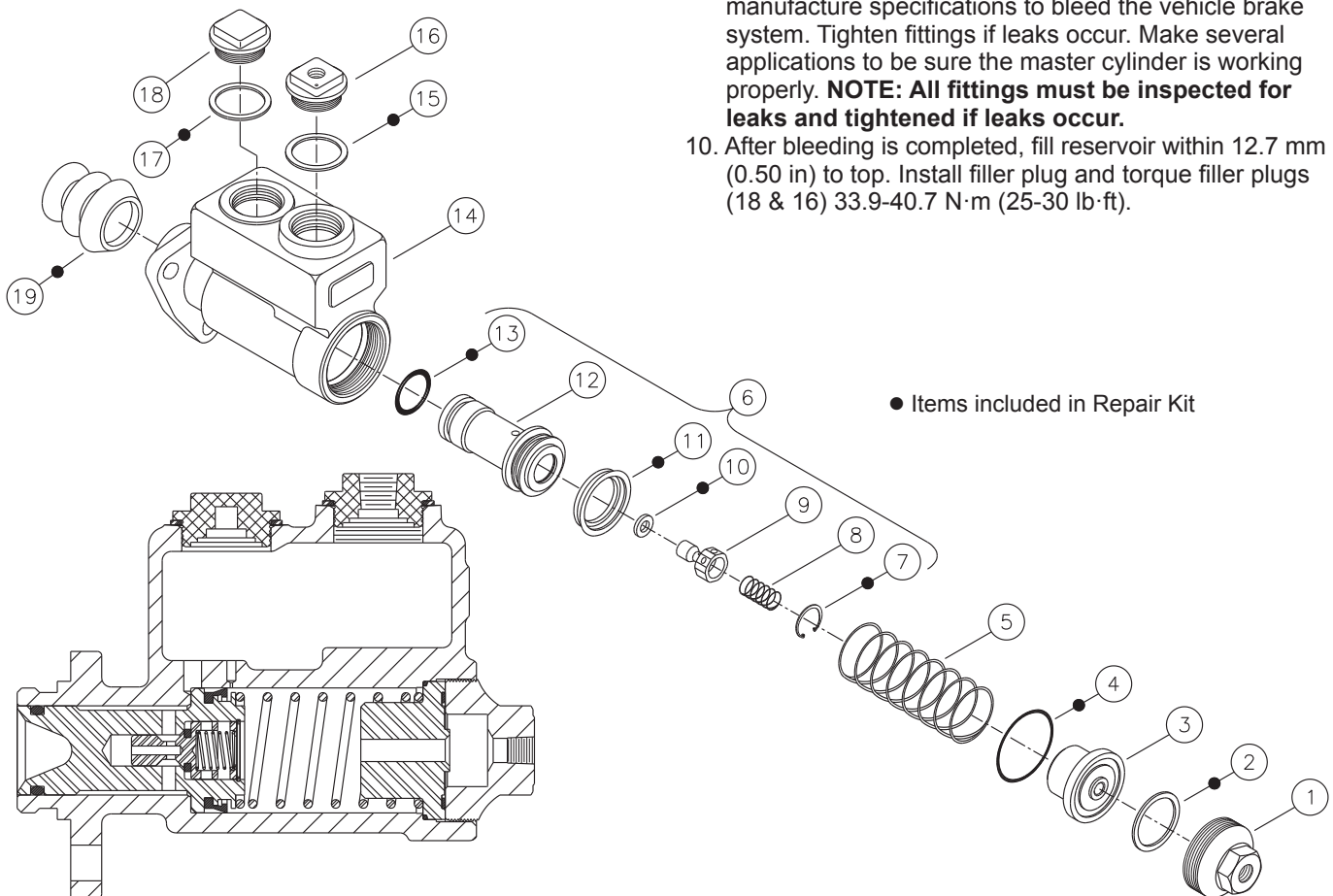
### DISASSEMBLY

1. Remove the master cylinder from the vehicle by disconnecting the necessary fluid lines. Disconnect push the rod and remove the mounting bolts. Drain fluid from the master cylinder.
2. Remove boot (19) from housing (14).
3. Remove end plug (1), piston (3) and spring (5), from housing (14). Remove seal (2) and o-ring (4) from piston (3).
4. Remove piston assembly (6) from housing (14).
5. Remove retaining ring (7), spring (8), and valve (9) from piston (12). Remove seat (10) from valve (9).
6. Remove cup (11) and o-ring (13) from piston (12). Note direction of cup (11).
7. Remove filler caps (16 & 18) and gaskets (15 & 17) from housing (14).

### ASSEMBLY

LUBRICATE ALL RUBBER COMPONENTS FROM REPAIR KIT WITH CLEAN TYPE FLUID USED IN THE SYSTEM.

1. Clean all parts thoroughly before assembling.
2. Install new seat (10) on valve (9). Install valve (9), spring (8), and new retaining ring (7) in piston (12).
3. Install new o-ring (13) and new cup (11) on piston (12). Note direction of cup (11).
4. Install piston assembly (6) in housing (14).
5. Install new o-ring (4) and new seal (2) on piston (3).
6. Lubricate the threads on end plug (1). Install spring (5), piston (3), and end plug (1) in housing (14). Torque end plug (1) 67.8-108.5 N·m (50-80 lb·ft).
7. Install new boot (19) on housing (14).
8. Install new gaskets (15 & 17) and filler plugs (16 & 18) on housing (14). Finger tighten filler plugs.
9. Install the master cylinder on the vehicle and connect the fluid lines. Connect the push rod. Fill reservoir and bleed the system of air. See MICO form 81-001-002 instructions to bleed the master cylinder. Refer to the manufacture specifications to bleed the vehicle brake system. Tighten fittings if leaks occur. Make several applications to be sure the master cylinder is working properly. **NOTE: All fittings must be inspected for leaks and tightened if leaks occur.**
10. After bleeding is completed, fill reservoir within 12.7 mm (0.50 in) to top. Install filler plug and torque filler plugs (18 & 16) 33.9-40.7 N·m (25-30 lb·ft).



This document is intended to provide general information about MICO Products. MICO, Inc. has attempted to present accurate information about MICO Products in its catalogs, brochures, and other printed materials. MICO, Inc. is not responsible for errors, inaccuracies, or inconsistencies that may exist in any catalog, brochure, or other printed materials or any damages arising from or related to reliance on information in them. Materials and specifications for MICO Products set forth in catalogs, brochures, and other printed materials are subject to change without notice or obligation. Refer to [www.mico.com](http://www.mico.com) for the most recent versions of our literature. If you have any questions concerning MICO Products, please contact MICO, Inc. All MICO Products and service are sold and provided subject to the MICO Warranty at [www.mico.com](http://www.mico.com) in effect on the date of sale or supply.

MICO is a trademark and registered trademark of MICO, Inc. MICO is registered in the U.S. Patent and Trademark Office as well as in Australia, Canada, Indonesia, Japan, Peoples Republic of China, South Korea, and the European Community.



**MICO, Inc.**

1911 Lee Boulevard / North Mankato, MN U.S.A. 56003-2507

**Tel:** +1 507 625 6426    **Fax:** +1 507 625 3212