

Model Number	Repair Kit Number
02-460-672 (HO)	02-600-057

HO = Mineral Base Hydraulic Oil

# REMOTE ACTUATOR

## Service Instructions

# MICO<sup>®</sup>

a **WABCO** company

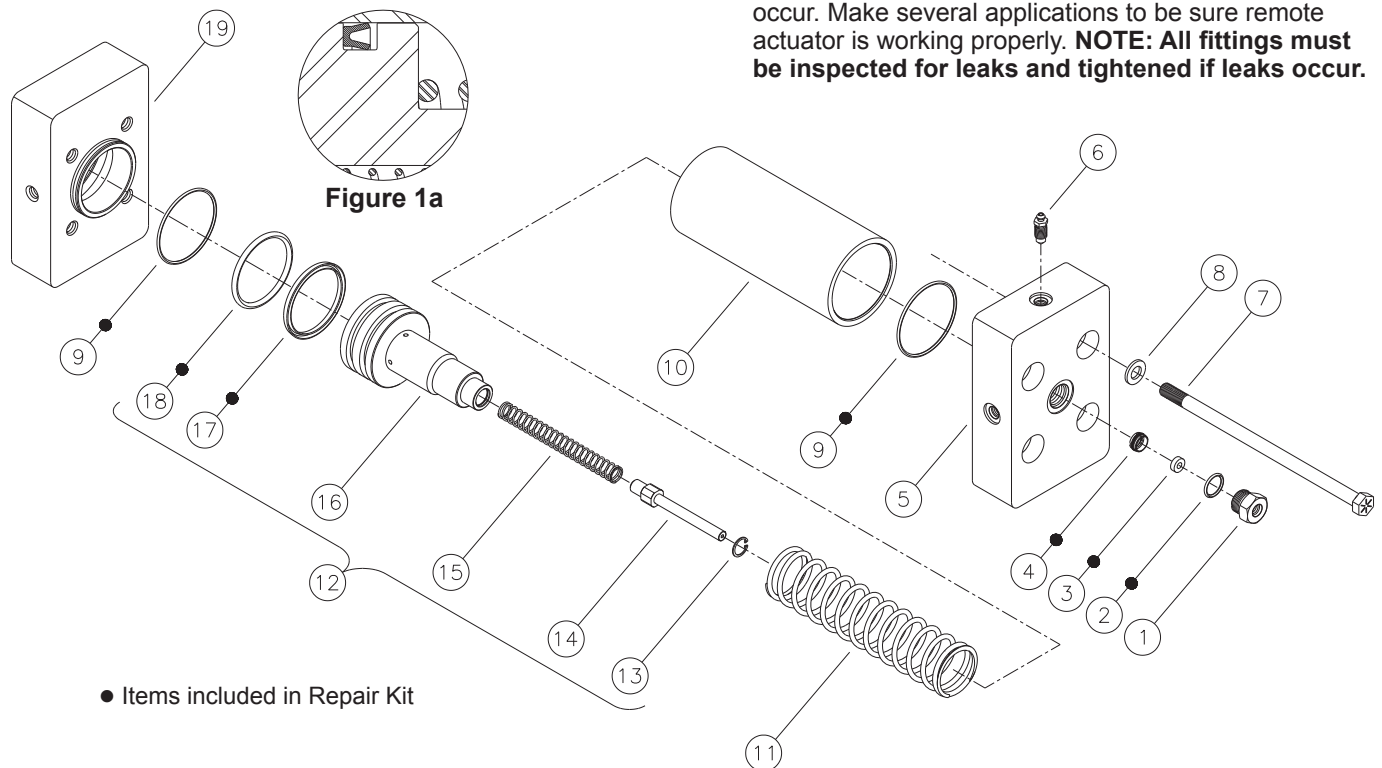
### DISASSEMBLY

1. Disconnect necessary fluid lines. Drain fluid from the remote actuator and remove from the machine.
2. Remove end plug (1) and bleeder screw (6) from end cap (5).
3. Remove o-ring (2), retainer (4), and seat (3) from end plug (1).
4. Remove four cap screws (7) and four washers (8). Separate end caps (5 & 19) and spring (11) from housing (10).
5. Remove o-ring (9) from end cap (5). Remove other o-ring (9) from end cap (19).
5. Remove piston assembly (12) from housing (10).  
**NOTE: Be careful not to damage housing bore or piston (16).**
6. Remove retaining ring (13), stem (14), spring (15), cup (17), and o-ring (18) from piston (16). Note the order and direction of cup (17). See Figure 1a.

### ASSEMBLY

LUBRICATE ALL COMPONENTS FROM REPAIR KIT WITH CLEAN TYPE FLUID USED IN THE SYSTEM.

1. Thoroughly wash housing bore and all parts with clean system fluid.
2. Install new o-ring (2), new seat (3), and new retainer (4) on end plug (1). Torque retainer (4) 12.2-20.3 N·m (9-15 lb·ft).
3. Install end plug (1) in end cap (5) and torque 54.2-61.0 N·m (40-45 lb·ft).
4. Install bleeder screw (6) in end cap (5) and finger tighten.
5. Install spring (15), stem (14), and retaining ring (13) in piston (16).
6. Install new cup (17) and new o-ring (18) on piston (16). Note the order and direction of cup (17). See Figure 1a.
7. Install piston assembly (12) in housing (10). Be careful not to damage cup (17).
8. Assemble end caps (5 & 19) and housing (10) using four cap screws (7) and four washers (8). Torque cap screws (7) 24.4-29.8 N·m (18-22 lb·ft).
9. Install remote actuator on machine. Connect fluid lines. Bleed system of air. Torque bleeder screw (6) 10.8-16.7 N·m (8-12 lb·ft). Tighten fittings if leaks occur. Make several applications to be sure remote actuator is working properly. **NOTE: All fittings must be inspected for leaks and tightened if leaks occur.**



**FIGURE 1**

This document is intended to provide general information about MICO Products. MICO, Inc. has attempted to present accurate information about MICO Products in its catalogs, brochures, and other printed materials. MICO, Inc. is not responsible for errors, inaccuracies, or inconsistencies that may exist in any catalog, brochure, or other printed materials or any damages arising from or related to reliance on information in them. Materials and specifications for MICO Products set forth in catalogs, brochures, and other printed materials are subject to change without notice or obligation. Refer to [www.mico.com](http://www.mico.com) for the most recent versions of our literature. If you have any questions concerning MICO Products, please contact MICO, Inc. All MICO Products and service are sold and provided subject to the MICO Warranty at [www.mico.com](http://www.mico.com) in effect on the date of sale or supply.

MICO is a trademark and registered trademark of MICO, Inc. MICO is registered in the U.S. Patent and Trademark Office as well as in Australia, Canada, Indonesia, Japan, Peoples Republic of China, South Korea, and the European Community.



**MICO, Inc.**

1911 Lee Boulevard / North Mankato, MN U.S.A. 56003-2507

**Tel:** +1 507 625 6426    **Fax:** +1 507 625 3212