



Remote Actuator

Service Instructions

Model Number	Repair Kit Number
02-460-672 (HO)	02-600-057

HO = Mineral Base Hydraulic Oil

DISASSEMBLY

1. Disconnect necessary fluid lines. Drain fluid from the remote actuator and remove from the machine.
2. Remove end plug (1) and bleeder screw (6) from end cap (5).
3. Remove o-ring (2), retainer (4), and seat (3) from end plug (1).
4. Remove four cap screws (7) and four washers (8). Separate end caps (5 & 19) and spring (11) from housing (10).
5. Remove o-ring (9) from end cap (5). Remove other o-ring (9) from end cap (19).
5. Remove piston assembly (12) from housing (10).
NOTE: Be careful not to damage housing bore or piston (16).
6. Remove retaining ring (13), stem (14), spring (15), cup (17), and o-ring (18) from piston (16). Note the order and direction of cup (17). See Figure 1a.

ASSEMBLY

LUBRICATE ALL COMPONENTS FROM REPAIR KIT WITH CLEAN TYPE FLUID USED IN THE SYSTEM.

1. Thoroughly wash housing bore and all parts with clean system fluid.
2. Install new o-ring (2), new seat (3), and new retainer (4) on end plug (1). Torque retainer (4) 12.2-20.3 N·m (9-15 lb·ft).
3. Install end plug (1) in end cap (5) and torque 54.2-61.0 N·m (40-45 lb·ft).
4. Install bleeder screw (6) in end cap (5) and finger tighten
5. Install spring (15), stem (14), and retaining ring (13) in piston (16).
6. Install new cup (17) and new o-ring (18) on piston (16). Note the order and direction of cup (17). See Figure 1a.
7. Install piston assembly (12) in housing (10). Be careful not to damage cup (17).
8. Assemble end caps (5 & 19) and housing (10) using four cap screws (7) and four washers (8). Torque cap screws (7) 24.4-29.8 N·m (18-22 lb·ft).
9. Install remote actuator on machine. Connect fluid lines. Bleed system of air. Torque bleeder screw (6) 10.8-16.7 N·m (8-12 lb·ft). Tighten fittings if leaks occur. Make several applications to be sure remote actuator is working properly. **NOTE: All fittings must be inspected for leaks and tightened if leaks occur.**

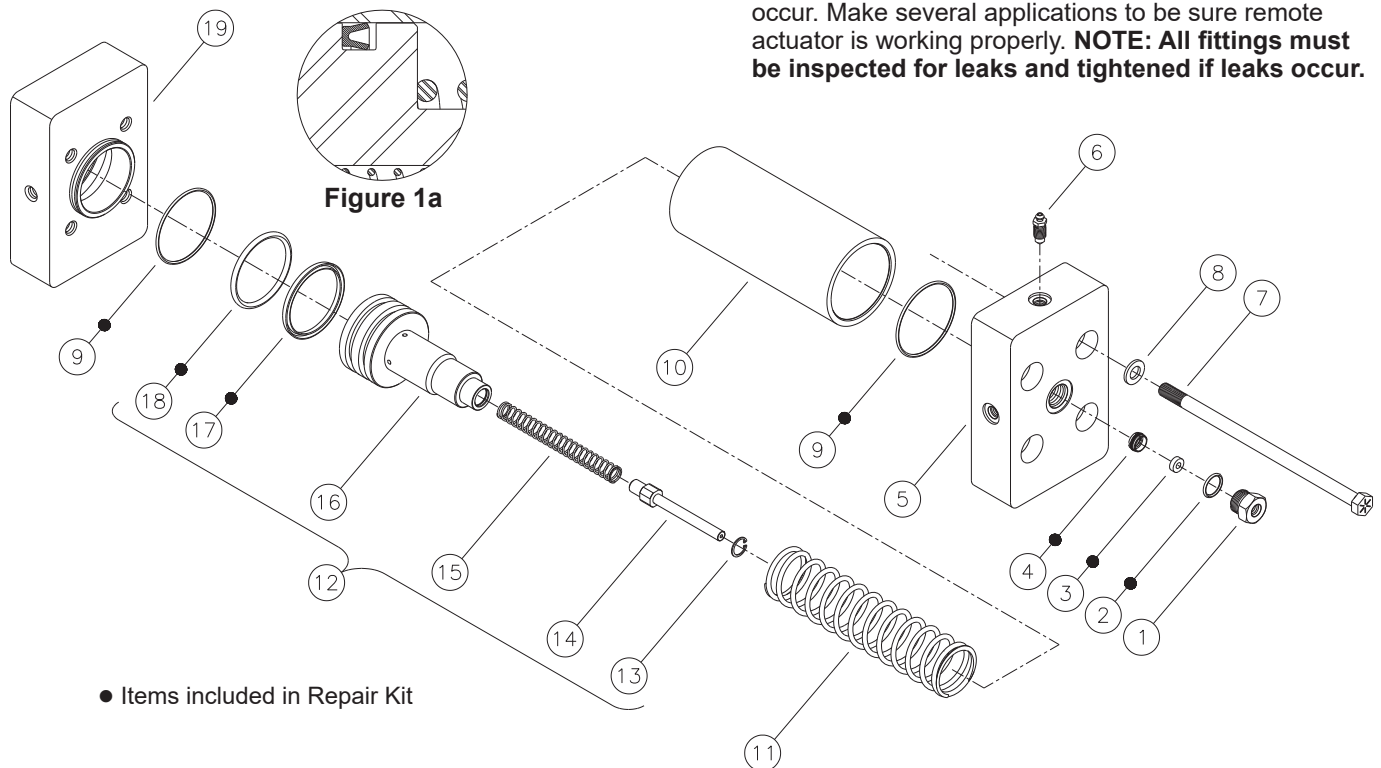


FIGURE 1

This publication is not subject to any update service. Information contained in this publication was in effect at the time the publication was approved for printing and is subject to change without notice or liability. ZF Off-Highway Solutions Minnesota Inc. reserves the right to revise the information presented or to discontinue the production of parts described at any time.



ZF Off-Highway Solutions Minnesota Inc.
1911 Lee Boulevard / North Mankato, MN U.S.A. 56003
Tel: +1 507 625 6426 **Fax:** +1 507 625 3212