

# PEDAL ACTUATED (Modulating Valves)



## Service Instructions

### DISASSEMBLY

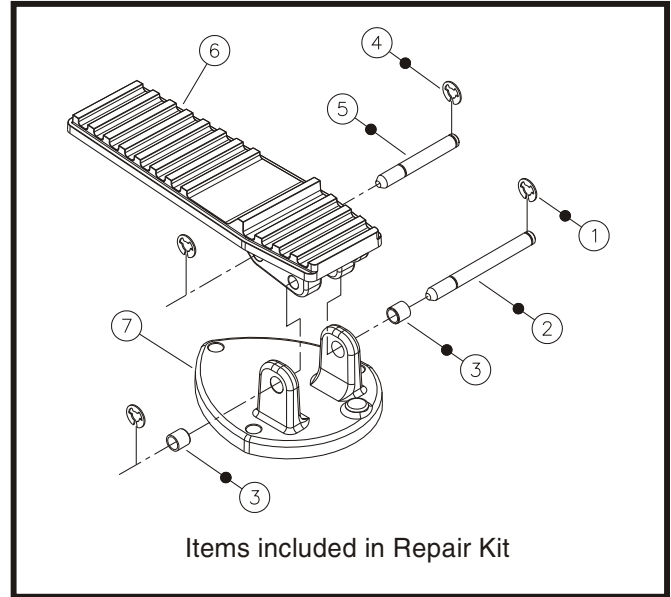
1. Separate pedal (6) from pedal base (7) by removing one e-ring (1) from pin (2) and sliding pin from base.
2. Remove bushings (3) from pedal base (7).
3. Remove one e-ring (4) from pin (5) and remove pin from pedal.

### ASSEMBLY

#### NOTE

Be sure parts are clean and free of dirt before assembling. Inspect the pedal and base for excessive wear. If excessive wear is present, replace entire assembly.

1. Install new bushings (3) flush with outside ears in base (7). After installing bushings, a 9.6 mm (0.378 in) diameter pin must fit thru both bushings.
2. Install new pin (5) in pedal (6). Install new e-rings (4).
3. Align pedal (6) between ears of pedal base (7) and install new pin (2). Install new e-rings (1). Pedal to base motion must be completely free.



This publication is not subject to any update service. Information contained in this publication was in effect at the time the publication was approved for printing and is subject to change without notice or liability. ZF Off-Highway Solutions Minnesota Inc. reserves the right to revise the information presented or to discontinue the production of parts described at any time.

