

Model Number	Repair Kit Number
06-474-396	06-400-104
06-474-397	06-400-104

# POWER STEERING VALVE



## Service Instructions

### DISASSEMBLY

(Refer to Figure 1)

1. Evenly loosen and remove four cap screws (1) and tab washers (2).
2. Separate housing (3) and stop (5) from housing (8). Remove o-rings (4 & 6) from stop (5).
3. Remove boot (13) and separate housing (10) from housing (8).
4. Remove o-ring (9), retaining ring (12), and oil seal (11) from housing (10). Note direction of oil seal (11). Inspect bushing in housing (10) and replace as necessary.
5. Remove push rod/spool assembly (7) from housing (8). Push rod/spool assembly need not be disassembled unless parts are damaged or worn.  
**NOTE: Be careful not to damage spool or housing bore.**
6. Remove plug (14) from housing (8) and remove o-ring (15) from plug (14).

### ASSEMBLY

(Refer to Figure 1)

WASH ALL PARTS WITH CLEAN SOLVENT AND DRY. LUBRICATE ALL RUBBER PARTS WITH CLEAN SYSTEM FLUID PRIOR TO ASSEMBLY. BE SURE ENTIRE ASSEMBLY PROCEDURE IS DONE USING CONTAMINATION FREE METHODS.

1. Install new oil seal (11), new retaining ring (12) and new o-ring (9) in housing (10).
2. Install new o-ring (15) on plug (14). Install plug (14) in housing (8). Note direction of plug (14).
3. Install push rod/spool assembly (7) in housing (8). If push rod/spool assembly has been disassembled, be sure spool is reassembled in the proper direction, see groove location.
4. Install new o-rings (4 & 6) on stop (5). Install stop (5) in housing (3).
5. Assemble housings (3, 8, & 10) using four cap screws (1) and tab washers (2). Evenly torque cap screws (1) 33.9-40.7 N·m (25-30 lb·ft).
6. Install new boot (13).

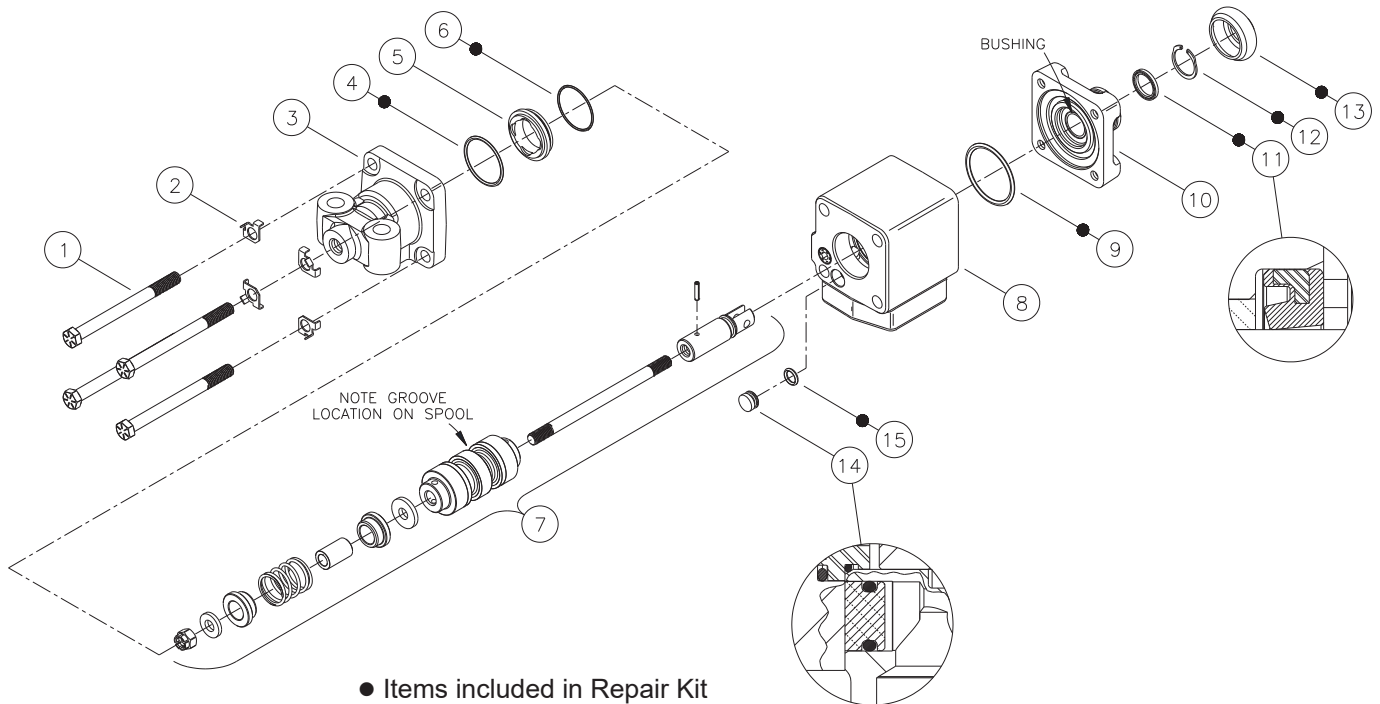


FIGURE 1

This publication is not subject to any update service. Information contained in this publication was in effect at the time the publication was approved for printing and is subject to change without notice or liability. ZF Off-Highway Solutions Minnesota Inc. reserves the right to revise the information presented or to discontinue the production of parts described at any time.



**ZF Off-Highway Solutions Minnesota Inc.**  
1911 Lee Boulevard / North Mankato, MN U.S.A. 56003  
**Tel:** +1 507 625 6426 **Fax:** +1 507 625 3212