

691/690 Brake Lock System

MICO[®]

a **WABCO** company

Pressure Switch or Power Unit Replacement Instructions

PRESSURE SWITCH NOTE

Regardless of manufacture date, the position of the high and low pressure switches have remained the same. See Figure 1, position 1 will always have a pressure switch stamped 1-800 or 1-1200 and position 2 will always have a pressure switch stamped 2-10. Be sure to install the correct replacement switch.

PRESSURE SWITCH REPLACEMENT

1. Replace pressure switches as necessary and torque 17.6-23.1 N·m (13-17 lb-ft). **NOTE: Torque only on surface flats.**
2. **691 models:** Reattach wire connectors. See Figure 1.
3. **690 models:** Earlier models of the 690 power unit provided a black wire, red wire, and green wire from each of the pressure switches as shown in Figure 2. Later models used pressure switches which provided two black wires from each switch as shown in Figure 3. Both of the replacement pressure switches have a tan wire and a blue wire. The blue wire is connected to ground. When replacing the pressure switch stamped 1-800 or 1-1200 the tan wire is connected to the white wire from the control module. See Figures 2 and 3. When replacing the pressure switch stamped 2-10 the tan wire is connected to the violet wire from the control module. See Figures 2 and 3. **NOTE: Replacement switches may have connectors similar to FIGURE 1. Remove connectors as needed.**

POWER UNIT REPLACEMENT

1. **691 models:** Remove old power unit and install new power unit. Reattach wire connectors. See Figure 1.
2. **690 models:** Remove old power unit and install new power unit. Note that the replacement power unit has connectors similar to Figure 1. Remove connectors as needed. Earlier models of the 690 power unit provided a black wire, red wire, and green wire from each of the pressure switches as shown in Figure 2. Later models use pressure switches which provide two black wires from each, or a blue wire and tan wire from each, as shown in Figure 3. When replacing the power unit, the blue wires from the pressure switches connect to ground. The pressure switch stamped 1-800 or 1-1200, the tan wire is connected to the white wire from the control module. The pressure switch stamped 2-10, the tan wire is connected to the violet wire from the control module. See Figure 3.

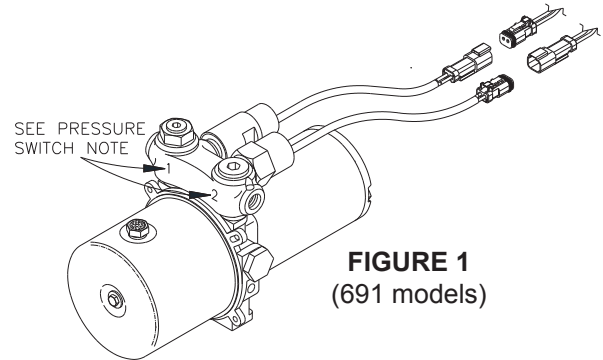


FIGURE 1
(691 models)

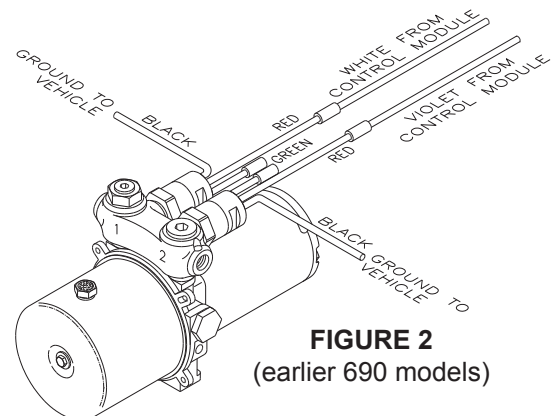


FIGURE 2
(earlier 690 models)

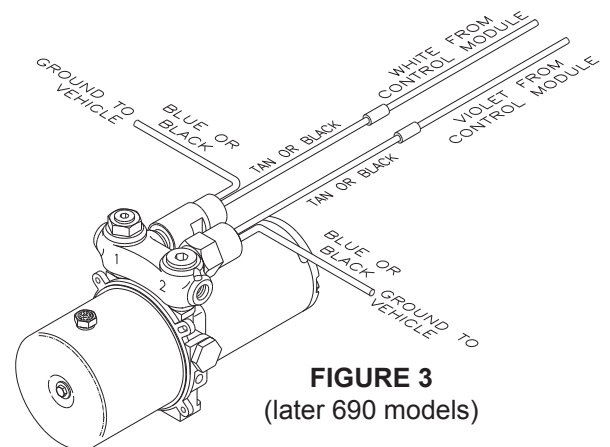


FIGURE 3
(later 690 models)

This document is intended to provide general information about MICO Products. MICO, Inc. has attempted to present accurate information about MICO Products in its catalogs, brochures, and other printed materials. MICO, Inc. is not responsible for errors, inaccuracies, or inconsistencies that may exist in any catalog, brochure, or other printed materials or any damages arising from or related to reliance on information in them. Materials and specifications for MICO Products set forth in catalogs, brochures, and other printed materials are subject to change without notice or obligation. Refer to www.mico.com for the most recent versions of our literature. If you have any questions concerning MICO Products, please contact MICO, Inc. All MICO Products and service are sold and provided subject to the MICO Warranty at www.mico.com in effect on the date of sale or supply.

MICO is a trademark and registered trademark of MICO, Inc. MICO is registered in the U.S. Patent and Trademark Office as well as in Australia, Canada, Indonesia, Japan, Peoples Republic of China, South Korea, and the European Community.



Form No. 81-690-022

Revised 2017-03-29

MICO, Inc.

1911 Lee Boulevard / North Mankato, MN U.S.A. 56003-2507

Tel: +1 507 625 6426 Fax: +1 507 625 3212

www.mico.com