

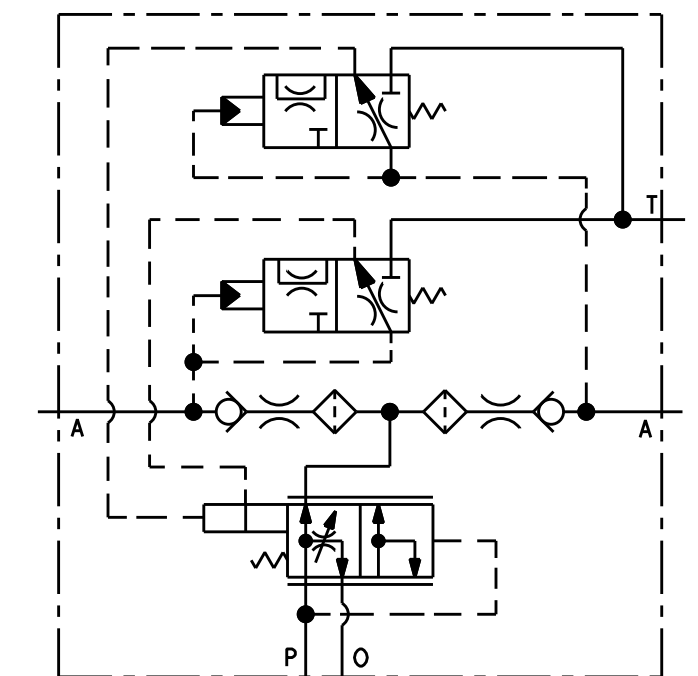
NOTES:

1. TO BE USED WITH MINERAL BASE HYDRAULIC OIL ONLY. EXCEPT 06-460-290 WATER BASED EMULSION ALLOWED.
2. DIMENSIONS MAY VARY BETWEEN UNITS AND ARE TO BE USED FOR REFERENCE PURPOSES ONLY. MILLIMETER VALUES MAY NOT BE AN EXACT CONVERSION OF INCH VALUES.
3. VALVE REPAIR KIT P/N 06-400-086.
4. VALVE SURFACE FINISH: OLIVE DRAB PRIMER PER DOD-P-15328 SPECIFICATION.

PERFORMANCE CHARACTERISTICS:

1. SYSTEM RELIEF VALVE NOT INCLUDED.
2. FLOW THRU PRESSURE DROP IS APPROXIMATELY 20 PSI AT 35 GPM [1.4 bar AT 132 LPM] WITH 14 cSt OIL.
3. RECOMMENDED SYSTEM FLOW 2 TO 35 GPM [7.6 TO 132 LPM]
4. INTERNAL FILTRATION IS 54 MICRON OR BETTER.
5. EXTERNAL FILTRATION OF 10 MICRON OR BETTER IS REQUIRED.

PART NUMBER	DESCRIPTION	REVISION	ALLOWABLE SYSTEM RELIEF VALVE PRESSURE (PSI [bar])	ACCUMULATOR CHARGE LOW LIMIT (PSI [bar])	ACCUMULATOR CHARGE HIGH LIMIT (PSI [bar])	ACCUMULATOR CHARGE RATE (GPM [LPM])
06-460-216	ACV-DM013-48-69-3	F	2500±500 [172±34.5]	700±50 [48.3±3.4]	1000±25 [68.9±1.7]	0.75±0.25 [2.8±0.9]
06-460-218	ACV-DM013-97-124-3	L	2500±500 [172±34.5]	1400±50 [96.5±3.4]	1800±25 [124.1±1.7]	0.75±0.25 [2.8±0.9]
06-460-222	ACV-DM013-131-159-6	L	2750±250 [189.6±17.2]	1900±50 [131.0±3.4]	2300±25 [158.6±1.7]	1.7±0.5 [6.4±1.9]
06-460-252	ACV-DM013-97-124-6	F	2500±500 [172±34.5]	1400±50 [96.5±3.4]	1800±25 [124.1±1.7]	1.7±0.5 [6.4±1.9]
06-460-264	ACV-DM013-126-53-3	C	2725±275 [187.9±19.0]	1825±50 [125.8±3.4]	2225±25 [153.4±1.7]	0.75±0.25 [2.8±0.9]
06-460-290	ACV-DM013-97-124-6	C	2500±500 [172±34.5]	1400±50 [96.5±3.4]	1800±25 [124.1±1.7]	1.7±0.5 [6.4±1.9]
06-460-292	ACV-DM013-131-159-3	B	2750±250 [189.6±17.2]	1900±50 [131.0±3.4]	2300±25 [158.6±1.7]	0.75±0.25 [2.8±0.9]



INCH
[MILLIMETER]



COMPONENT AND SYSTEM RECOMMENDATIONS MADE BY MICO, INC ARE BASED ON INFORMATION SUPPLIED BY POTENTIAL USER AND/OR SYSTEM DESIGNER. THE POTENTIAL USER AND/OR DESIGNER MUST MAKE FINAL ACCEPTANCE AND APPROVAL OF COMPONENTS AND SYSTEM AFTER TESTING PERFORMANCE ON AN ACTUAL APPLICATION FOR WHICH SYSTEM WAS DESIGNED.

MICO, INC CLAIMS PROPRIETARY RIGHTS TO THE MATERIAL DISCLOSED IN THIS DOCUMENT. THIS DOCUMENT IS PROVIDED IN CONFIDENCE AND MAY NOT BE REPRODUCED OR DISCLOSED WITHOUT WRITTEN PERMISSION FROM MICO, INC. COPYRIGHT MICO, INC. ALL RIGHTS RESERVED.

SCALE	TITLE	SIZE	DRAWING NUMBER	REV
0.500	ACV-DMO		89-460-001	
DWN MAP 2012-02-14	APVD PROD ENGRG	C	CUSTOMER COPY	
X NO SEE CHART	APVD ENGRG			